



## Owalo 7030

Finishes	Shade	Cable	Frame	
	● Natural birch	Black	Structure painted white	RAL 9016
	○ White laminated	Black	Structure painted white	RAL 9016
	● Black laminated	Black	Structure painted black	RAL 9005
	● Walnut veneer	Black	Structure painted white	RAL 9016

**Material** Form pressed birch slats

**Sizes**  
 Height 47 cm  
 Depth 33 cm  
 Width 7 cm  
 Base Ø 11,5 cm  
 Weight 1,5 kg  
 Package 56 × 40 × 16 cm, 2,5 kg

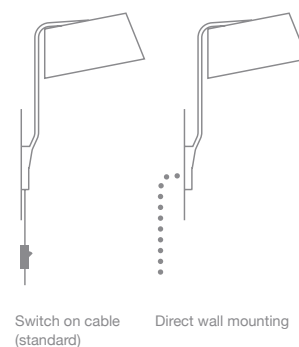
**Light source** A built-in LED, 7 W, 2800 K, min. 600 lm, non-dimmable

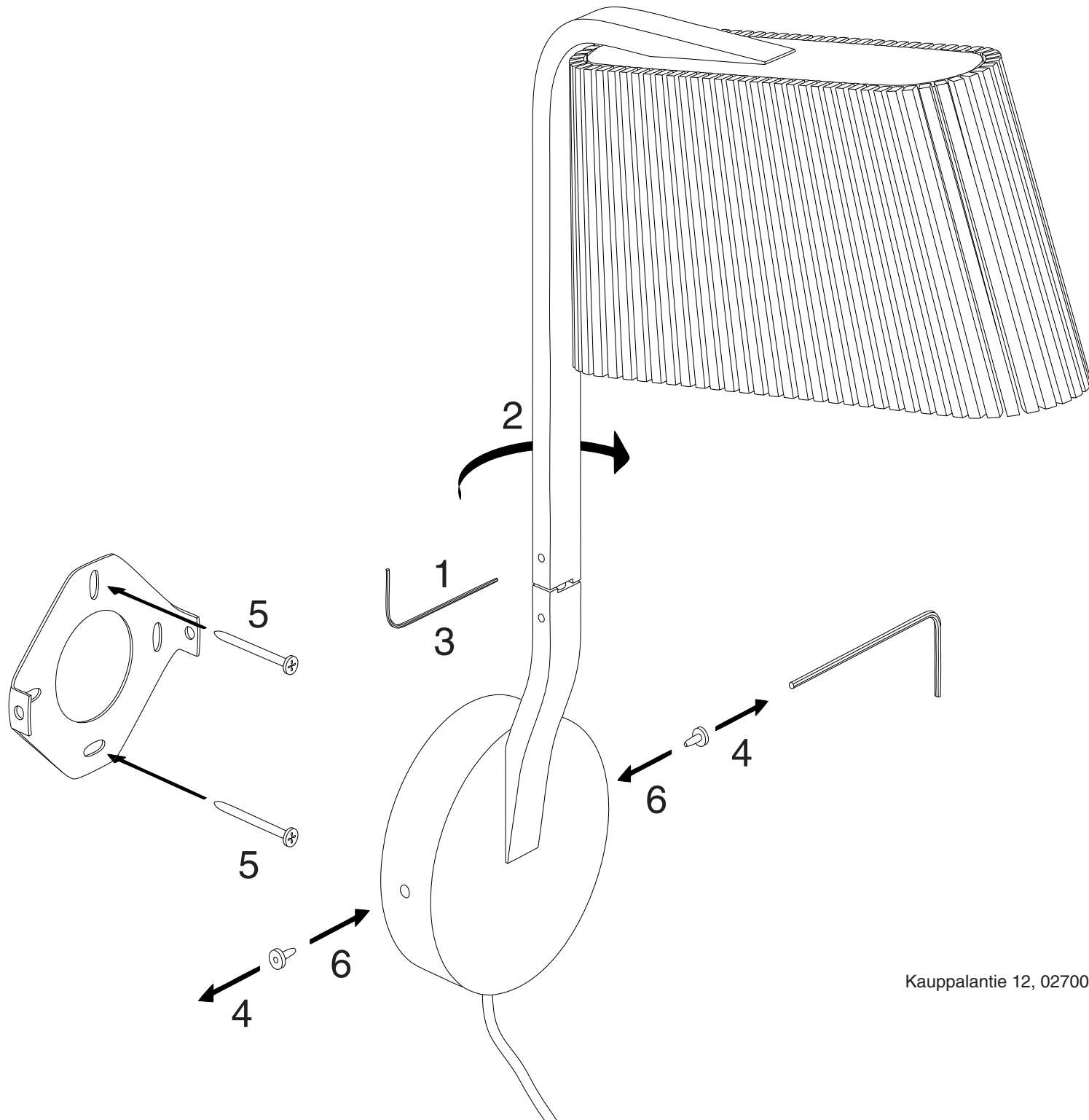
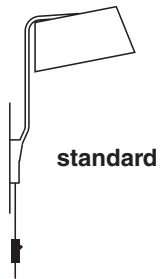
**Cable** 250 cm, white, switch and transformer on the cable  
 Also available with direct wall mounting.

**IP Rating** IP20

**Maintenance** Wipe dust regularly. To remove fresh stains wipe with a slightly moist cloth.

Mounting options

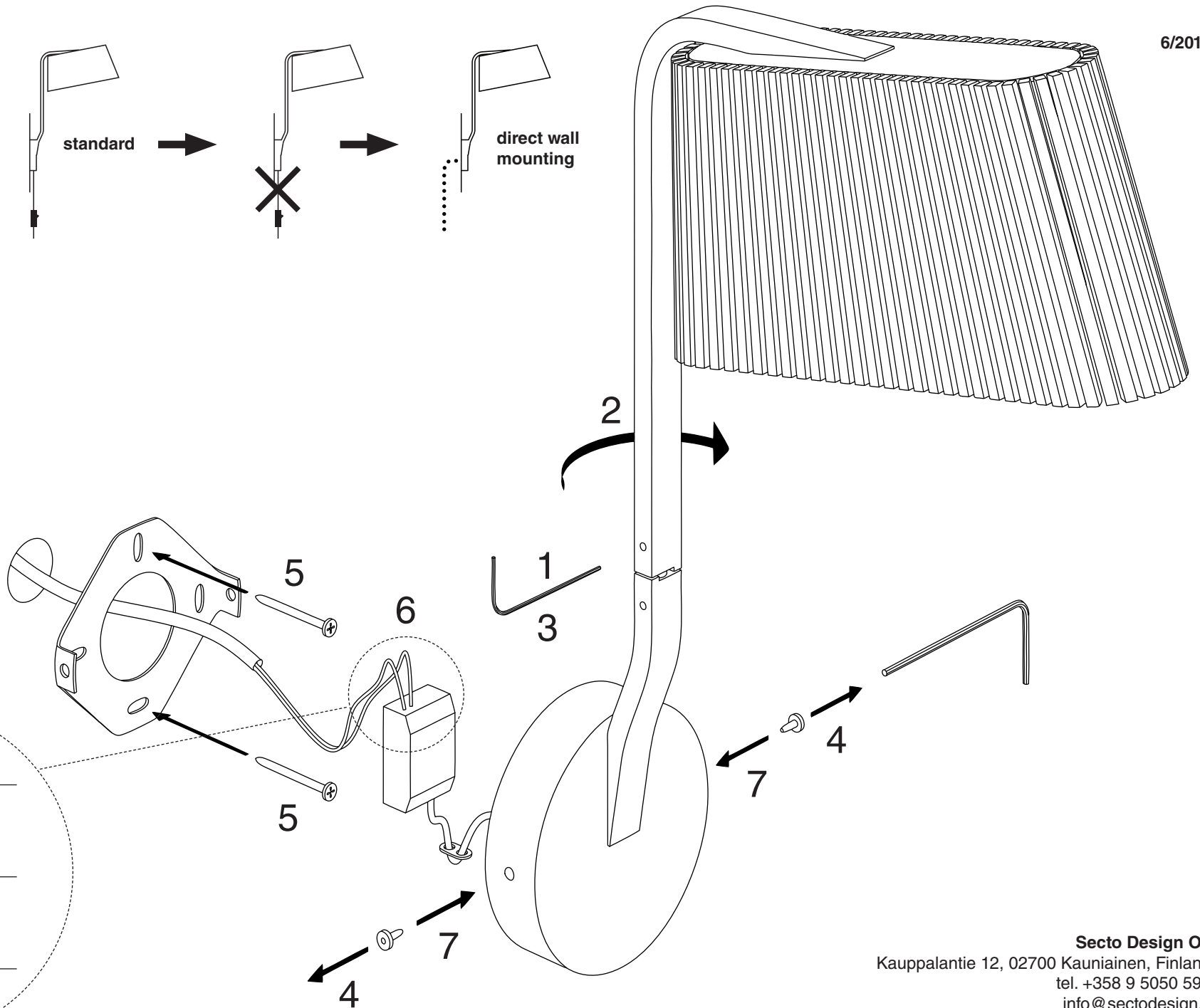
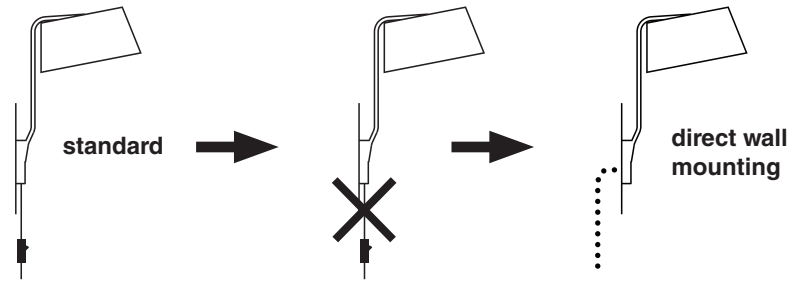




# Secto<sup>®</sup> DESIGN

Owalo 7030

6/2016



### Connections

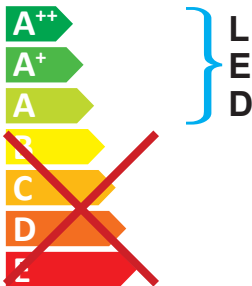
CN1	Function
L	VAC in (L)
N	VAC in (N)
CN2	Function
+	LED+
-	LED-

**Secto Design Oy**  
 Kauppalantie 12, 02700 Kauniainen, Finland  
 tel. +358 9 5050 598  
 info@sectodesign.fi  
 www.sectodesign.fi

## Secto Design Oy: Owalo 7030



This luminaire contains built-in LED lamps.



The lamps cannot be changed in the luminaire.