



Owalo 7000

Finishes	Shade	Cable
	● Natural birch	Clear
	○ White laminated	Clear
	● Black laminated	Clear
	● Walnut veneer	Clear
Material	Form pressed birch slats	
Sizes	Height 13 cm	
	Length 100 cm	
	Width 9 cm	
	Weight 3,2 kg	
	Package 103 × 23 × 16 cm, 4,7 kg	
Light source	A built-in LED, 21 W, 2800 K, min. 1000 lm, dimmable (Type: Trailing Edge)	
Cable	200 cm (max. length 300 cm), clear cable + 2 steel wires	
Power Supply	by Lightech/GE. Power box is a white rectangular ceiling box, which is to be installed at max 300 cm from the lamp. Dimensions of the ceiling box: 31 x 4,5 x 4,3 cm	
IP Rating	IP20	
Maintenance	Wipe dust regularly. To remove fresh stains wipe with a slightly moist cloth.	
Installation	Please refer to the separate installation instructions.	



Owalo ceiling box

Height	4,3 cm
Length	31 cm
Depth	4,5 cm
Colour	RAL 9016

Information The Owalo ceiling box contains the driver required by the LEDs. The upper part of the ceiling box is screwed to the ceiling when installing the cables. The cover of the ceiling box is pushed to its place.

Please note that LED lamps can only be installed by an electrician following provided instructions.

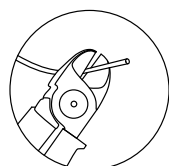
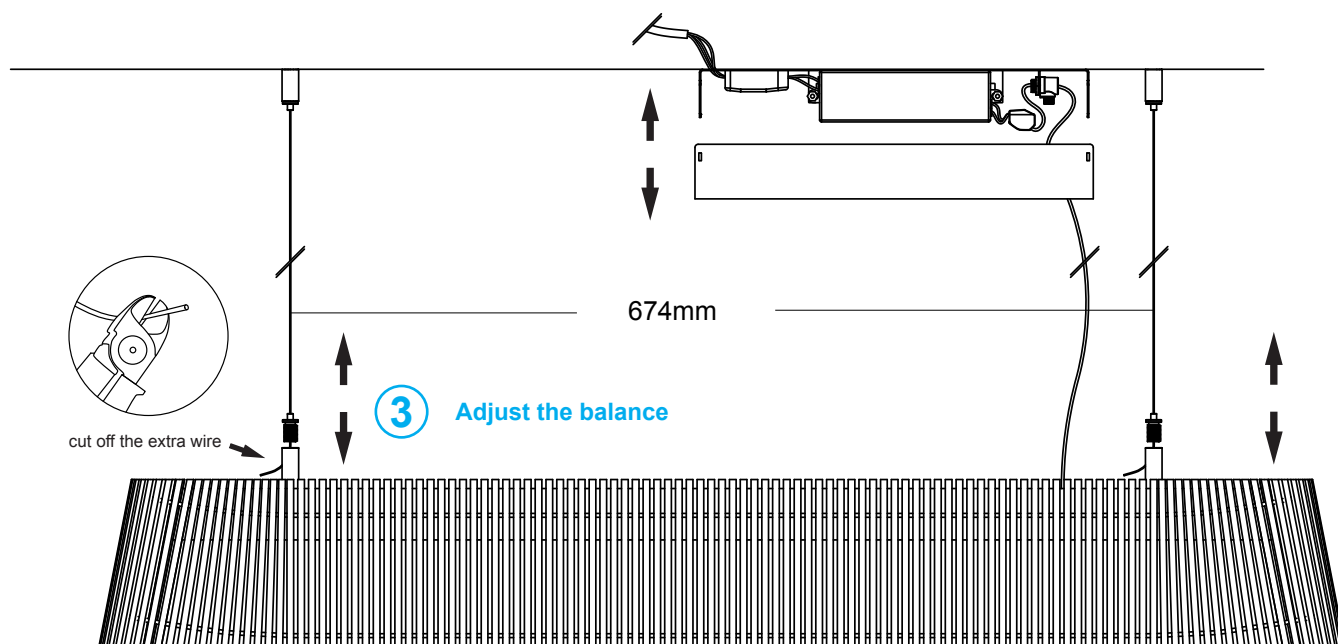
Secto Design

Owalo 7000 pendant light

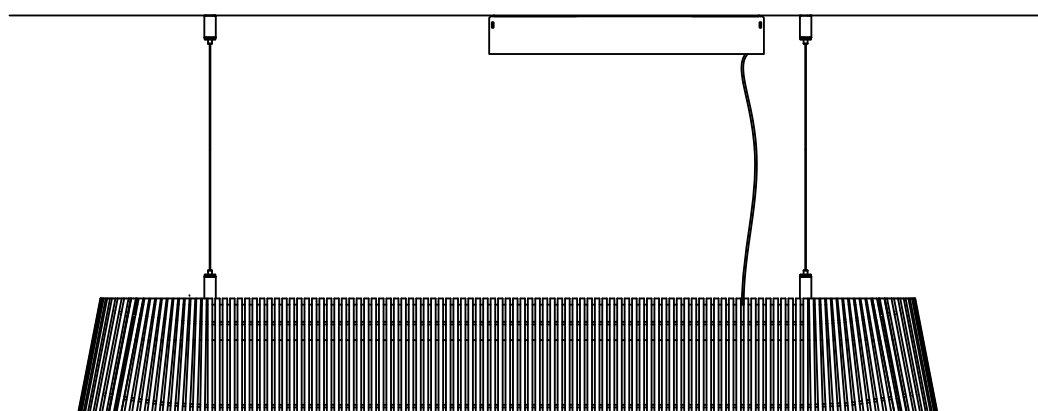
Technical specifications Assembly instructions

① Assembly cable holder

② Connect

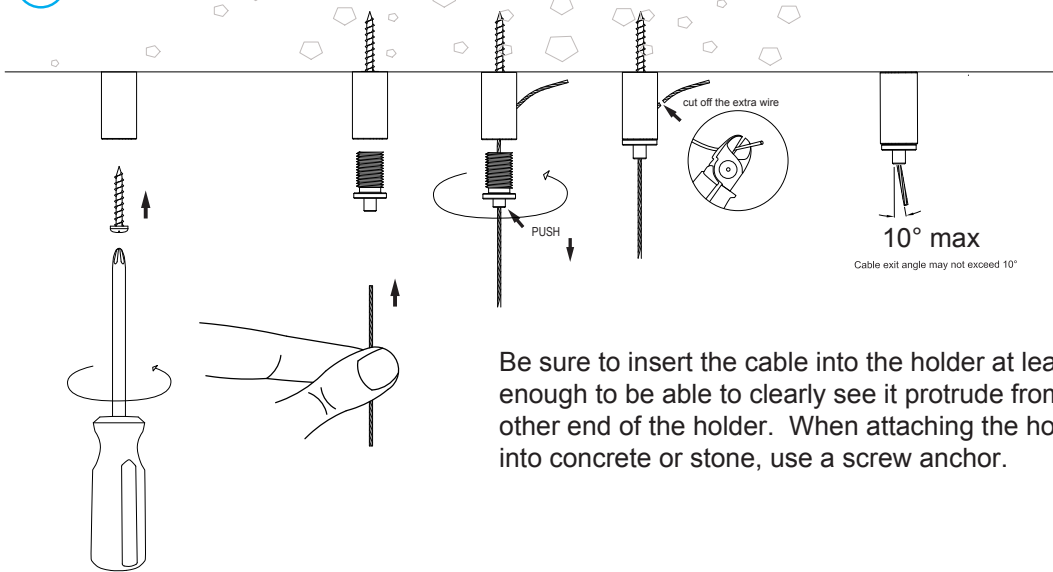


③ Adjust the balance



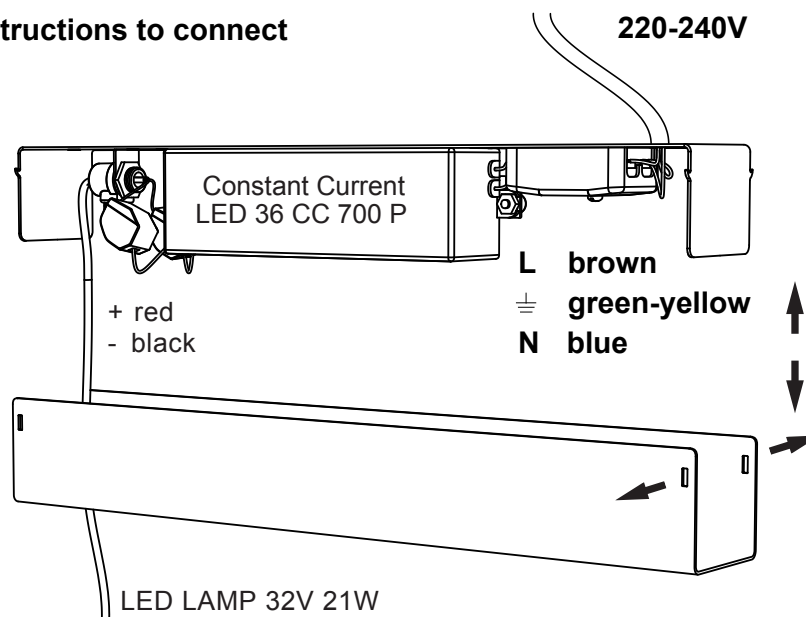
**Install in accordance with national and local electrical codes.
All installation works must be performed with specialized personnel.**

1 Assembly instructions to cable holder



Be sure to insert the cable into the holder at least far enough to be able to clearly see it protrude from the other end of the holder. When attaching the holder into concrete or stone, use a screw anchor.

2 Assembly instructions to connect



Power use	21 W
Voltage	220 240V 50/60 Hz
Output	32V 700 mA
Cord length	Standard 2 m, max 3 m
Power box	white ceiling box 310 x 43 x 45 mm, RAL 9016
Power supply	GE/Lightech, trailing edge dimmable

INDOOR USE ONLY

Recommended models in Finland:

Schneider / Artic ATD315R
Art numero: CCTFL12011
EAN: 3606480297373
Sähkönumero: 3512439



Please note this is the model in Finland, check with your local electrician for an equivalent in your country.



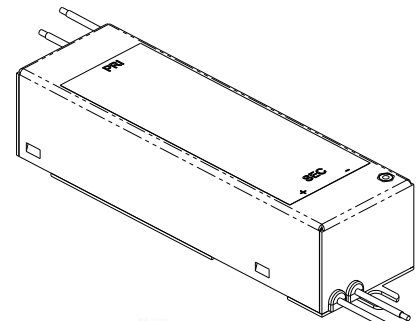
LED DRIVER DC CC, POTTED
LED 36 DC 700mA P/PU Ver.1
LED 36 DC 1050mA P Ver.1

Features

1. Dimmable with Trailing Edge dimmers
2. Designed for IP67
3. Reinforced insulation from input to output
4. High efficiency
5. PFC: > 0.95
6. Fully protected: Short circuit, Input voltage surge, Thermal, Secondary switch Overload regulation, Over voltage protection. Self-resettable
7. AC/DC

Applications

1. Led in- and outdoor lighting
2. Street lighting
3. Architectural lighting
4. Signage
5. Indication and orientation lighting
6. Ambience lighting

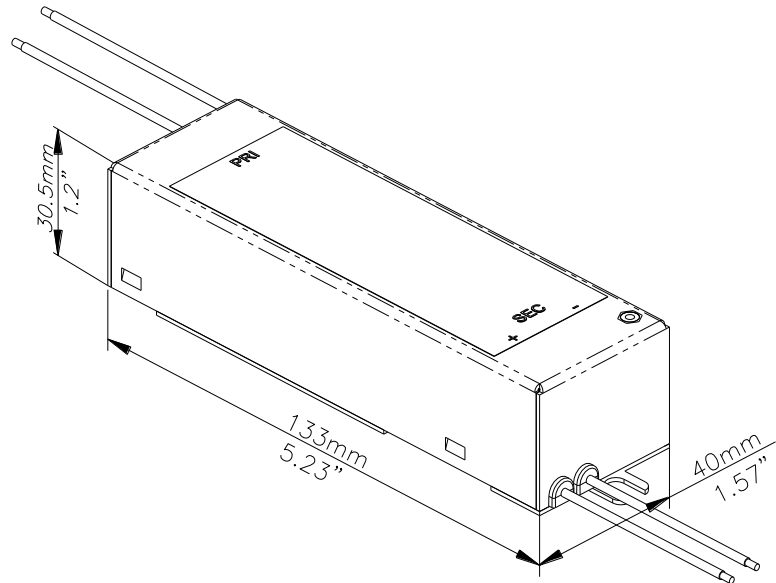


Specifications

VERSION		36 WATT 700mA		36 WATT 1050mA
SKU No.		901036700P	901036700PU	9010361050P
INPUT	VOLTAGE RANGE (V)	220-240	120-277	220-240
	FREQUENCY RANGE (Hz)	50/60	50/60	50/60
	POWER FACTOR	0.97	0.99	0,98
	EFFICIENCY (Typ.)%	89	88-89	89
	AC CURRENT (A)	0.2	0.35-0.15	0.2
	INRUSH CURRENT (A)	-	-	-
OUTPUT	VOLTAGE (V) Note 3	4-52	4-52	4-36
	CURRENT (A) Note 3	0.7	0.7	1,05
	RATED POWER (W)	36	36	36
DIMMABLE	REVERSE PHASE CONTROL (TRAILING EDGE)	TO 25%	TO 10%*	
PROTECTION	INPUT VOLTAGE SURGE	YES	YES	YES
	OVER TEMPERATURE	YES	YES	YES
	SHORT CIRCUIT PROTECTION	YES	YES	YES
	REINFORCED INSULATION	YES	YES	YES
ENVIRONMENT	Ta (°C)	-25...+70	-25...+50	-25...+70
	Tc (°C)	85	90	85
	WORKING HUMIDITY	IP67	OUTDOOR	IP67
	STORAGE TEMP. (°C)	-10...+70	-10...+70	-10...+70
STANDARDS	VDE SAFETY	ENEC; EN61347-1; EN61347-2-13; EN62384 (P VERSION)		PENDING
	VDE EMC	EN61547; EN61000-3-3; EN61000-3-2; EN55015 (P VERSION)		PENDING
	UL	N/A	E322460	N/A
MECHANICAL	PLASTIC/ METAL CASE	METAL		METAL
	INPUT WIRES COLOR	BRW/BLU	BLK/WHT	BRW/BLU
	INPUT WIRES SIZE	0.75mm ²	18AWG	0.75mm ²
	OUTPUT WIRE COLOR	BLK/RED	BLK/RED	BLK/RED
	OUTPUT WIRE SIZE	18AWG	18AWG	18AWG
	WEIGHT	0.28kg		
NOTE	1. All parameters are measured at rated input, rated load and 25°C of ambient temperature.			
	2. Specifications may vary from time to time without notice.			
	3. Tolerance: includes set up tolerance, line regulation and load regulation.			
	4. Subject to standard warranty, terms and conditions as published from time to time.			
	5. *Tested with Lightech recommended dimmers, contact your sales representative for further details			

LED 36 DC 700mA P/PU Ver.1
LED 36 DC 1050mA P Ver.1

Mechanical Drawing



Mounting Instructions

$t_a: 50^{\circ}\text{C max}$

$A \geq 25\text{mm}; B \geq 100\text{mm}$

LED 36 DC 700mA
From 4 to 12 leds in series.

LED 36 DC 1050mA
From 4 to 10 leds in series.

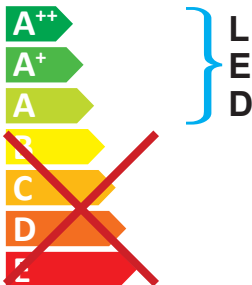
Safety Instructions

1. Always disconnect power before installation and/or removal of the unit.
2. Install in accordance with national and local electrical codes.

Secto Design Oy: Owalo 7000



This luminaire contains built-in LED lamps.



The lamps cannot be changed in the luminaire.