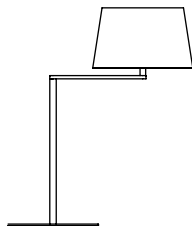


Americana

Miguel Milá

1964

Table lamp



.....

This lamp pays homage to the legendary series of swing-arm lamps designed by George W. Hansen in 1950. The Americana series, which comprises a table lamp, a floor lamp and a wall lamp, is also built around an articulated arm, although here the arm is a single section with a right-angled bend. This defines its basic geometry and transfers the joint to the vertical axis of the shaft, affording enhanced mechanical performance.

GENERAL DESCRIPTION

Satin nickel structure with moveable arm.
White linen lampshade.

Electric cable length: 4 m / 157.4"

LIGHT SOURCE

F Recommended light sources:
LED bulb: 8 W
Compact fluorescent: 11 W
Incandescent: Max. 60 W
E27 - E26 (Max. Hgt 105 mm / 4.1")



Light source not included.
Compatible with bulbs of the Energy efficiency class (E.E.C): A++... E.
Lamp suitable only for indoor use.
Always use the light source recommended or equivalent.

Input voltage: 100, 120, 230 VAC (50Hz / 60 Hz). According to destination.

APPROXIMATE WEIGHT (without package)

1,9 Kg / 4.1 lb

REGULATIONS

| | |
|---|---|
| CE |  |
|  | Non-class 2 |
| IP 20 | Dry location only |
| UNE-EN 60598 | UL-153 |
| UNE-EN 55015 | E-352592 |
| UNE-EN 60529 | |

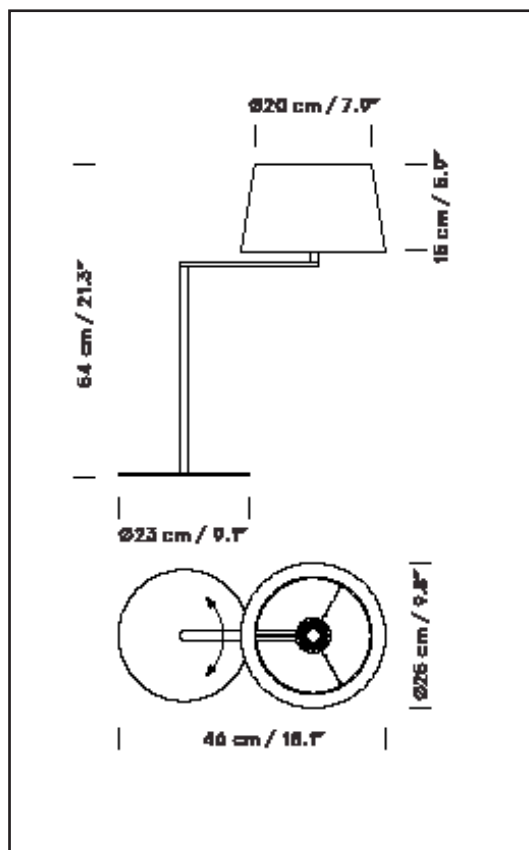
MAINTENANCE

Clean with a smooth cloth. It is advised not to use any ammonia, solvent or abrasive products.

OTHERS

The lamp is delivered in different packages.
The assembly instructions are delivered with the product.

MODEL



Collection

Floor lamp



Americana

Wall lamp



Americana