



© COPYRIGHT 2017 MDF ITALIA SRL SOCIETA' UNIPERSONALE

2017

AXY

Designed by Claudio Bellini

Lightness combined with dynamic perception of suspension is the theme developed by the design of the new table system Axy. A basic architecture in which the original design of the two structural bridges, entirely made of aluminium, recomposes the tensions and strength lines with expressive efficacy.

A thin top completes the table, conveying an overall aerial impression underpinned by reassuring stability.

Available in various configurations, including the extendable version, with a wide choice of materials and finishes Axy naturally adapts to a broad range of interpretations both for indoor and outdoor use, from the dining-table to the working desk.

Rectangular tables available in 20 sizes and various depths, height 73cm, in the types and configurations:

- Fix: AXY and AXY COMFORT
- Extendable: AXY EXTENSION and AXY COMFORT EXTENSION

FRAME

AXY and AXY COMFORT: fixed bearing frame made of extruded aluminium painted with matt graphite grey epoxy powder.

- AXY EXTENSION: bearing frame and extension mechanism produced in oxidised black extruded aluminium, running on castors with ball bearings and lateral extraction of the bridge.

Open and close lock with two levers placed on under top guides.

Storage compartment of extension tops in aluminium painted with matt graphite grey epoxy powder, fitted with a small non-scratch carpet.

- AXY COMFORT EXTENSION: bearing frame and extension mechanism produced in oxidised black extruded aluminium with longitudinal top movement (on ball bearings).

Open and close lock with two levers placed on under top guides.

Storage compartment of extension tops in aluminium painted with matt graphite grey epoxy powder, fitted with a small non-scratch carpet.

For all types of die-cast and extruded aluminium bridge legs, available in the version painted with white and matt graphite grey epoxy powder; liquid stained in the colors titanium, bronze and matt black nickel.

TOPS

Tops are available in the materials: Fenix, oak, calce and pietra di Savoia. Thickness 12 mm.

Fixed versions with CALCE and PIETRA DI SAVOIA tops are also suitable for outdoor use. EXTENSION versions are only available in the finishes FENIX and OAK.

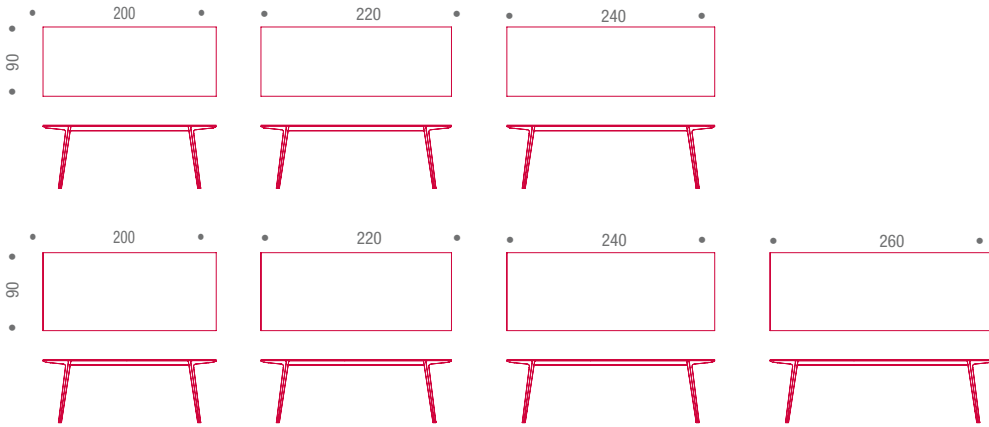
EXTENSIONS

The flexible features of AXY EXTENSION are underscored by the presence of two extensions, 50cm each, placed on the frame's guides. Extensions can be produced with either one or two elements.

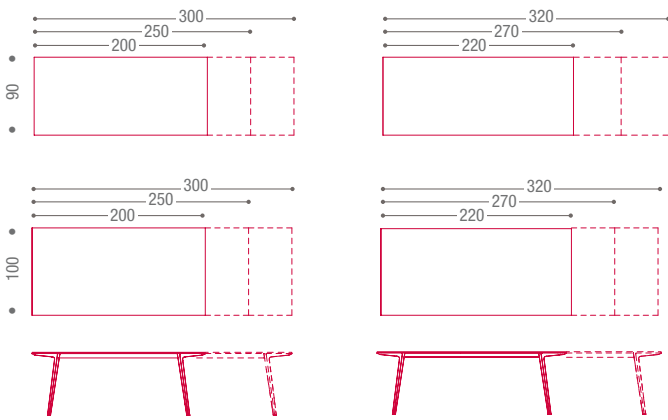
The nominal length of the table can be increased from 50 to 100cm, based on client requirements.

AXY COMFORT EXTENSION has a single extension, 55cm, placed on the frame's guides.

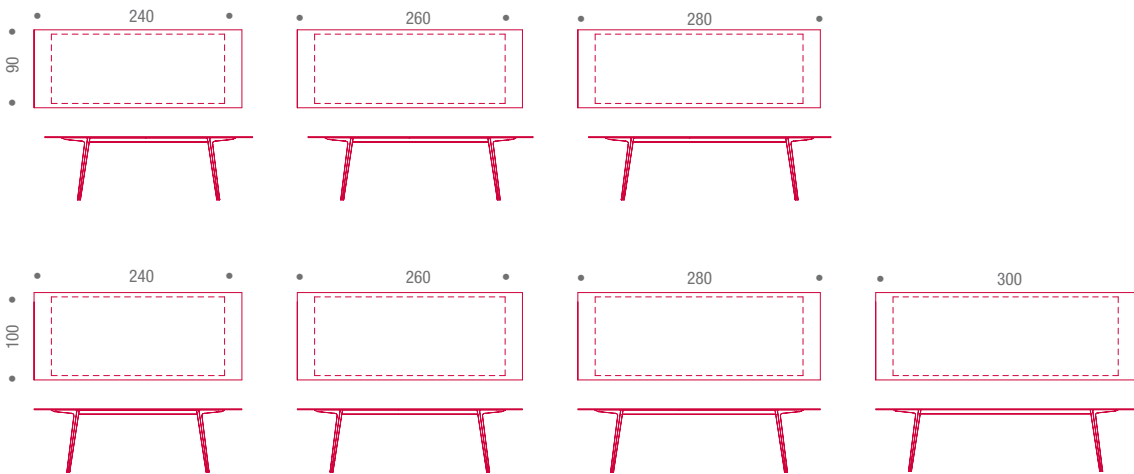
AXY



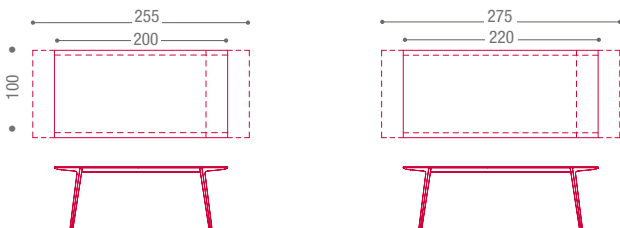
AXY EXTENSION



AXY COMFORT



AXY COMFORT EXTENSION



Finishing

The number in the dot corresponds to the number of colour/material finish.

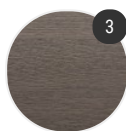
Here below, in the section FINISH OPTIONS, please note all the colours of the materials used for this product.

TABLE

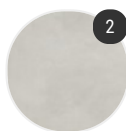
Top



Fenix



Oak

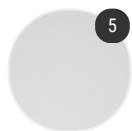


Calce



Stone

Structure



Matt painted

Finish options

TOP

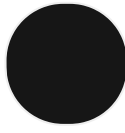
Fenix



Fenix matt
white X020



Fenix matt
medium grey
X021



Fenix matt
black X022

Oak



Light oak



Mocha oak



Anthracite
oak

Calce



Light grey
calce



Black calce

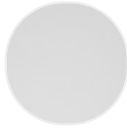
Stone



Medium grey
pietra di
Savoia

STRUCTURE

Matt painted



Matt painted white X053



Matt painted graphite grey X054



matt titanium paint



matt bronze paint



matt black nickel paint