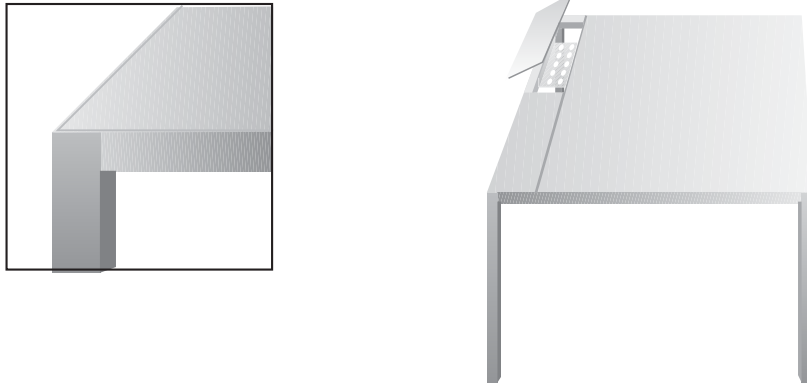


A family of equipped tables available in four configurations

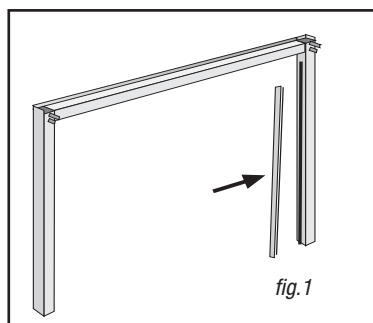


A family of equipped tables and console tables to be used both at work or at home, made by combining the natural anodized or polished aluminium of the frame with the various finishes of the top.

Four different configurations available. They come with a bar to support the equipment, the drawer cabinets and/or the CPU cases (one for single tables, two for face-to-face tables). **Being the bar a standard option, equipment can be purchased afterwards.**

DESK WITH A SMALL OPENING AND ONE LEG FOR CABLE ACCESS

Tables in width 80 and 90 cm and lengths 160, 180, 200 and 220 cm, with one leg (right or left) which gives access to the cables in the inside (fig.1) and one small opening on the tabletop 9 cm off the edges to allow cable management complete with outlets tray. This small opening (dims 350x100mm) comes in anodized aluminium with a removable door and gasket; it is



always positioned at the same side of the leg with cable access. Upon request, a version with two legs for cable access is available.

DESK WITH TABLETOPS AND TWO LEGS FOR CABLE ACCESS

Tables in width 90 cm and lengths 160, 180, 200 and 220 cm, equipped with two legs (1 right and 1 left) which allow access to the cables in the inside, with sliding trays under the tabletops for cables and outlets and with two closing tabletops for cable management (fig.2).

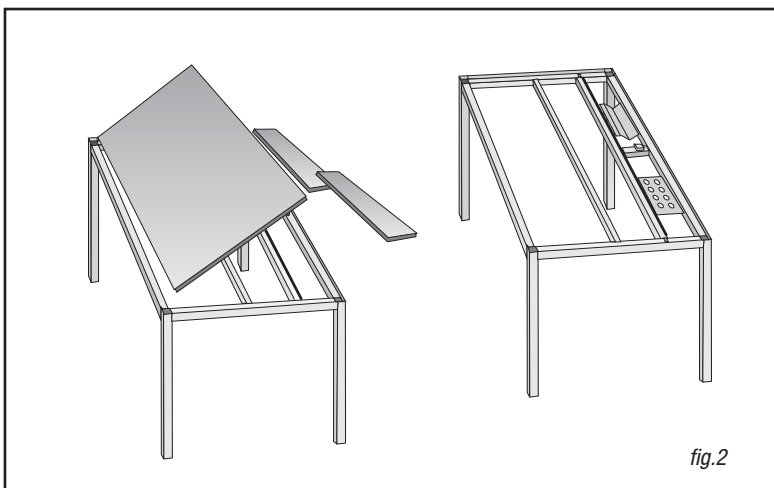
The trays (420x170 mm) of natural anodized aluminium, slide freely onto two supporting bars with gasket. The closing tabletops for cable management, in the

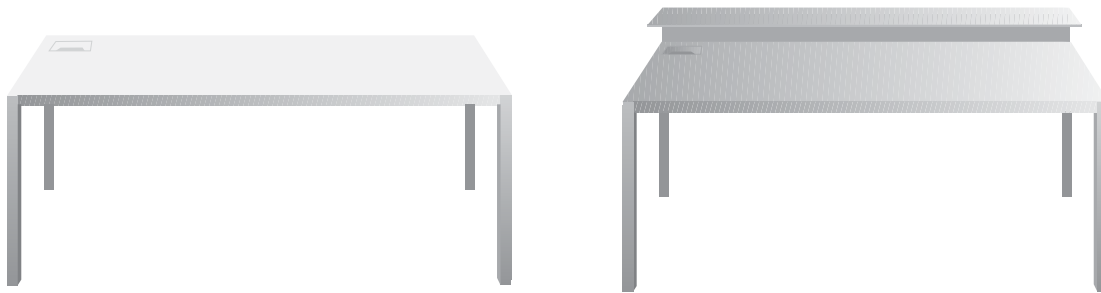
same finish of the tops, can be repositioned so as to give access to the connections. The tops allow the cables to exit freely.

FACE-TO-FACE DESK WITH TABLETOPS AND TWO LEGS FOR CABLE ACCESS

Tables in width 160 cm and lengths 160, 180, 200 and 220 cm, or 180x240 cm in size. Provided with:

- two legs (1 right and 1 left), allowing access to the cables in the inside,
- sliding trays (one for hiding cables and one for housing outlets accessible from both sides) (fig.3)
- two closing tabletops for cable management
- two U-shaped raceways for cable management (20x20mm) (fig.4)





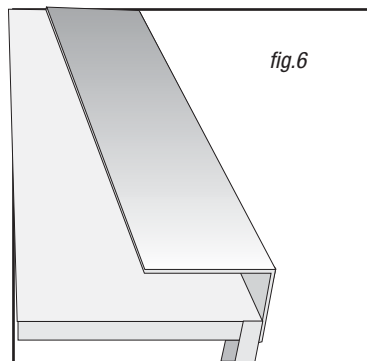
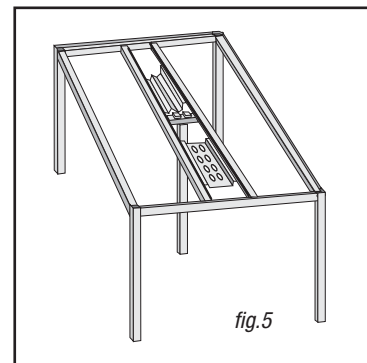
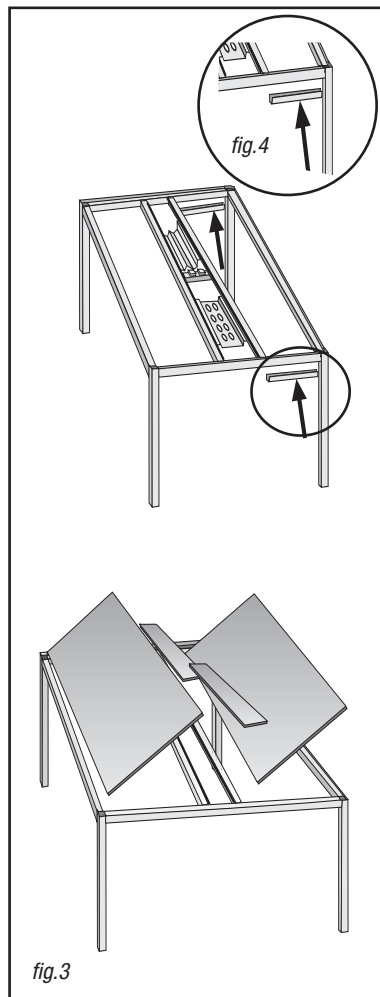
The trays (420x236 mm) of natural anodized aluminium, slide freely onto two supporting bars with gasket. The closing tabletops for cable management, in the same finish of the tops, can be repositioned so as to give access to the connections. The tops allow the cables to exit freely.

Tables in lengths 200, 220, 240 cm always come with a central leg (5th leg) so as to assure tabletops to be perfectly flat (fig.5)

DESK WITH A SHELF AND A SMALL OPENING FOR CABLE ACCESS

A table 80x160 or 80x160 cm in size, with one leg (right or left) which gives access to the cables in the inside and a small opening on the tabletop 9 cm off the edge to provide access to the cables complete with outlets tray. This small opening (dims 350x100 mm) comes in anodized aluminium with a removable door and gasket. It is always positioned at the same side of the cable leg. The table comes with a shelf (250 mm deep and at a height of 105 mm from the tabletop) made from a bent and shaped anodized aluminium sheet (fig.6).

Upon request, the version with two cable legs is available.



DESK frame in natural anodized or polished aluminium

STRUCTURE

Frame and legs in natural anodized or polished aluminium. Concealed joint, a patent from MDF Italia. An equipment-supporting bar made of aluminium-lacquered steel.

Height 75 cm.

TOPS

All tops are built-in and need no fittings. They are approx. 9 mm thick and come in:

- **Matt Keramik**

Made of a glass panel and a satin-finished 3 mm thick ceramic plate in white, anthracite grey, light grey or medium grey, patent from MDF Italia (Patent pending).

The tabletops with the small opening consist of a panel made up of two coupled plates of ceramic, thickness approx. 7mm

- **Lacquered tempered glass**

Made of tempered lacquered glass in orange, black, light grey, red, yellow, green, white.

- **HPL**

A high-pressure melamine laminate with structural aluminium sheets inside.

Built-in tabletops, of high stability and flatness, no fittings required.

Thickness 8 mm. White.

The small opening for cable access is flush with the tabletop.

ACCESSORIES

- **DRAWER CABINETS**

Available in two heights (37.5 and 48.5 cm) and in length 45 cm, always with a depth of 51 cm, these can be with 3 or 4 drawers.

Cabinets and fronts of the drawers are in medium-density wood fibreboards covered both sides with a sheet of aluminium. The sides are made of steel finished with an aluminium paint, while the bottom is made of melamine-coated poplar tree chipboard with goffered aluminium finish.

Every drawer, on request, has a lock. Locks can be with:

- a universal key for opening any drawer with lock (in different drawer cabinets as well)
 - a cipher key for opening only the drawers in the same drawer cabinet
- Drawers are fitted with fully-extractable Blum guides.

- **CPU CASE thickness 2 mm (vertical only)**

51 cm deep, 52 cm high, 21 cm long. Made from a bent metal sheet of anodized aluminium, thickness 2 mm.

- **CPU CASE thickness 11 mm (vertical only)**

53 cm deep, 52 cm high, 24 cm long. The CPU case is made with medium-density wood fibreboards covered both sides with an aluminium sheet. With three 80 mm holes for a better ventilation on the back.

- **MODESTY PANELS**

Made of anodized aluminium and simply screwed to the legs of the table (pre-drilled).

- **RACEWAY FOR CABLE MANAGEMENT**

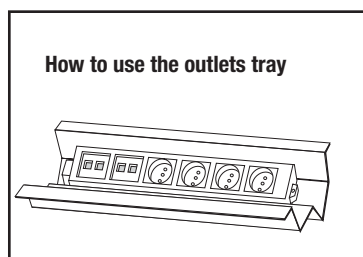
based on the chosen configuration, a U-shaped raceway of anodized aluminium is available (20x20mm). This can be applied on one or more sides as desired (both in length and width), along the full edge of the table.

- **CABLE TRAY (additional) for Desk with tabletops for cable management**

only for 180-200-220 cm long tables (mm 420X170) for single tables (mm 420X236) for face-to-face tables

- **OUTLETS TRAY (additional) for Desk with tabletops for cable management**

only for 180-200-220 cm long tables (mm 420X170) for single tables (mm 420X236) for face-to-face tables



TECHNICAL SPECIFICATIONS OF LAMINATED CERAMIC

Laminated ceramic features uniquely peculiar technical characteristics thanks to the innovative methods of ceramic treatment and production (laminated-porcelainized thin gres).

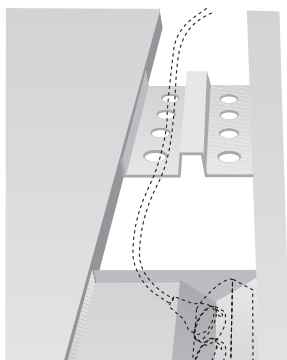
- Extreme surface hardness (comparable to topaz) and high bending strength.
- Resistant to stains, water, detergents and acids.
- Not inflammable, reaction to fire : class 0.
- Inalterability of the chromatic characteristics.
- It doesn't release toxic substances and there is no warping if heated with open flame

note

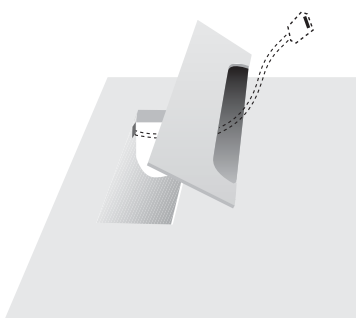
The material can have slight impurities, due to the particular production treatments, still accepted quality standards are complied with.

The quality of all tops is tested before delivery. Assembly instructions and tips for cleaning and maintenance are included.

Detail of single table with a tabletop for cable management



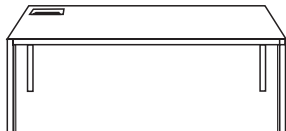
Detail of table (with or without shelf) with a small opening for cable access



PRICE FOR FRAME + TOP:

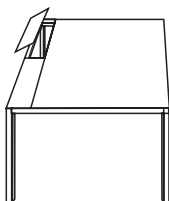
frame in natural anodized aluminium

frame in polished aluminium

sizes cm	code		code	
TABLE * with a small opening and one leg for cable management	80 x 160	0307-024-OX	80 x 160	0307-024-BR
	80 x 180	0307-025-OX	80 x 180	0307-025-BR
	80 x 200	0307-026-OX	80 x 200	0307-026-BR
	80 x 220	0307-027-OX	80 x 220	0307-027-BR
	90 x 160	0307-032-OX	90 x 160	0307-032-BR
	90 x 180	0307-033-OX	90 x 180	0307-033-BR
	90 x 200	0307-034-OX	90 x 200	0307-034-BR
	90 x 220	0307-035-OX	90 x 220	0307-035-BR

Extra charge for additional leg for cable management

TABLE with tabletops and two legs for cable management	90 x 160	0307-032-OX	90 x 160	0307-032-BR
	90 x 180	0307-033-OX	90 x 180	0307-033-BR
	90 x 200	0307-034-OX	90 x 200	0307-034-BR
	90 x 220	0307-035-OX	90 x 220	0307-035-BR



FACE-TO-FACE TABLE with tabletops and two legs for cable management	160 x 160	0307-186-OX	160 x 160	0307-186-BR
	160 x 180	0307-188-OX	160 x 180	0307-188-BR
	160 x 200	0307-094-OX	160 x 200	0307-094-BR
	160 x 220	0307-189-OX	160 x 220	0307-189-BR
	180 x 240	0307-190-OX	180 x 240	0307-190-BR

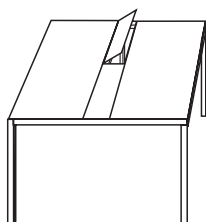
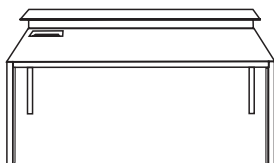


TABLE * with a small opening, one leg for cable management and shelf	80 x 160	0307-024-OX	80 x 160	0307-024-BR
	90 x 160	0307-032-OX	90 x 160	0307-032-BR

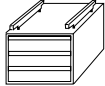
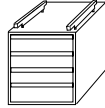
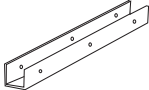
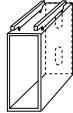

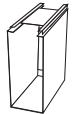



Extra charge for additional leg for cable management



note

In the purchase order, please specify if leg for cable management is left or right. *



elements/sizes	code	elements/sizes	code
CABINETS WITH DRAWERS height 37.5 cm with three drawers H 11.5 length 45 x depth 51 cm 	03-04-00021	MODESTY PANELS for tables 1479 x 300 mm for 160 table 1679 x 300 mm for 180 table 1879 x 300 mm for 200 table 2079 x 300 mm for 220 table	03-04-00016 03-04-00017 03-04-00018 03-04-00019
CABINETS WITH DRAWERS height 48.5 cm with four drawers h 11.5 length 45 x depth 51 cm 	03-04-00022	RACEWAY FOR CABLE MANAGEMENT 20x20 mm for width 80 cm for width 90 cm for length 160 cm for length 180 cm for length 200 cm for length 220 cm 	03-04-00029 03-04-00030 03-04-00031 03-04-00032 03-04-00033 03-04-00034
COMPUTER CASE thickness 11 mm vertical 	03-04-00023	CABLE TRAY (additional) for Desk with tabletops for cable management ▼ for single tables 420x170 mm 	03-04-00025
COMPUTER CASE thickness 2 mm vertical 	03-04-00020	for face-to-face tables 420x236 mm 	03-04-00026
LOCK WITH UNIVERSAL KEY ◆	03-01-00048	OUTLETS TRAY (additional) for Desk with tabletops for cable management ▼ for single tables 420x170 mm 	03-04-00027
LOCK WITH CIPHER KEY ◆	03-01-00053	for face-to-face tables 420x236 mm 	03-04-00028

note

◆ Specify on which drawers locks must be fitted.

note

▼ Only for tables longer than 180 cm

