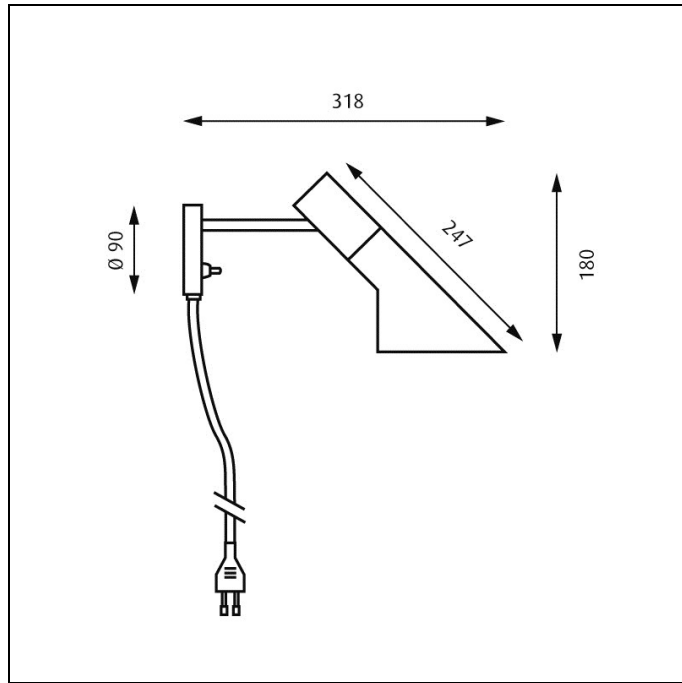


AJ Wall



Design Arne Jacobsen

Concept The fixture emits downward directed light. The angle of the shade and rotation can be adjusted to optimize light distribution. The shade is painted white on the inside to ensure a soft comfortable light.

Finish Blue/green, petroleum, red, sand, yellow/green, black, graphite grey or white, wet painted.

Material Shade: Spun steel. Wall box: Spun steel. Arm: Steel.

Mounting Cable type: Plastic cord with plug. Cable length: 2.4m. Light control: Switch in wallbox.

Weight Max. 1kg.

Class Ingress protection IP20. Electric shock protection II w/o ground.

| Product Code | Light source | Finish | Shade | Cable type |
|--------------|--------------|--|----------|------------------|
| AJ-W | 1x40W E14 | BLK BLUE/GREEN GRAPH GREY PETROLEUM RED SAND WHT YELLOW/GREEN | TILTABLE | BLK PL WHT PL |

Specification notes

The innovation of light sources is ongoing. Consequently we only inform about the max. wattages. On www.louispuolsen.com we update a list of recommendable light sources.