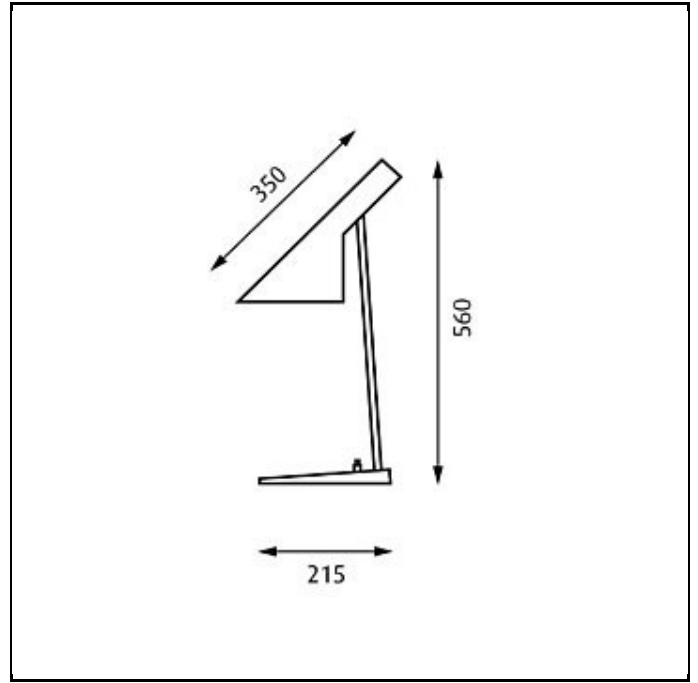


AJ Table



Design Arne Jacobsen

Concept The fixture emits downward directed light. The angle of the shade can be adjusted to optimize light distribution. The shade is painted white on the inside to ensure a soft comfortable light.

Finish Blue/green, petroleum, red, sand, yellow/green, black, graphite grey or white, wet painted.

Material Shade: Spun steel. Base: Die cast zinc. Stem: Steel.

Mounting Cable type: Plastic cord with plug. Cable length: 2.4m. Light control: Switch in lamp stand.

Weight Max. 2.5kg.

Class Ingress protection IP20. Electric shock protection II.

Product Code	Light source	Finish	Cable type
AJ-T	1x60W E27	BLK BLUE/GREEN GRAPH GREY PETROLEUM RED SAND WHT YELLOW/GREEN	BLK PL WHT PL

Specification notes

The white version is supplied with a white cable. The other versions are supplied with a black cable. The innovation of light sources is ongoing. Consequently we only inform about the max. wattages. On www.louispuulsen.com we update a list of recommendable light sources.