

Choose the language

English

Italiano

Français

Deutsch

Maki Sizes

Depth 80 cm Depth 314/8"

80	114 cm 447/8"	→ Alucompact® → Pure-white → Glass
	114/154/194 cm 447/8/605/8/763/8"	→ Alucompact® → Pure-white → Glass
	139 cm 546/8"	→ Alucompact® → Pure-white → Glass
	139/179/219 cm 546/8/704/8/862/8"	→ Alucompact® → Pure-white → Glass
	166 cm 653/8"	→ Alucompact® → Pure-white → Glass
	166/206/246 cm 653/8/811/8/967/8"	→ Alucompact® → Pure-white → Glass *
	189 cm 743/8"	→ Alucompact® → Pure-white → Glass
	209 cm 822/8"	→ Alucompact® → Pure-white → Glass
	229 cm 901/8"	→ Alucompact® → Pure-white → Glass
	249 cm 98"	→ Alucompact® → Pure-white → Glass
269 cm 1057/8"	→ Alucompact® → Pure-white → Glass	
289 cm 1136/8"	→ Alucompact® → Pure-white → Glass	

Depth 90 cm Depth 353/8"

90	114 cm 447/8"	→ Alucompact® → Pure-white → Glass
	139 cm 546/8"	→ Alucompact® → Pure-white → Fenix-NTM® → Glass → DEKTON®
	139/176/214 cm 546/8/692/8/842/8"	→ Alucompact® → Pure-white → Fenix-NTM® → Glass → DEKTON®
	166 cm 653/8"	→ Alucompact® → Pure-white → Fenix-NTM® → Glass → DEKTON®
	166/203/241/278 cm 653/8/797/8/947/8/1094/8"	→ Alucompact® → Pure-white → Fenix-NTM® → Glass
	166/203/241 cm 653/8/797/8/947/8"	→ DEKTON®
	189 cm 743/8"	→ Alucompact® → Pure-white → Fenix-NTM® → Glass → DEKTON®
	189/226/263 cm 743/8/89/1034/8"	→ Alucompact® → Pure-white → Fenix-NTM® → Glass *
	189/226/263 cm 743/8/89/1034/8"	→ DEKTON®
	209 cm 822/8"	→ Alucompact® → Pure-white → Fenix-NTM® → Glass
	209/246/283 cm 822/8/967/8/1113/8"	→ Alucompact® → Pure-white → Fenix-NTM® → Glass *
	229 cm 901/8"	→ Alucompact® → Pure-white → Glass
	249 cm 98"	→ Alucompact® → Pure-white → Glass
	269 cm 1057/8"	→ Alucompact® → Pure-white → Glass
	289 cm 1136/8"	→ Alucompact® → Pure-white → Glass

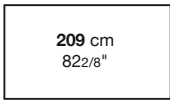
Depth 100 cm Depth 393/8"

100	139 cm 546/8"	→ Alucompact® → Pure-white → Glass
	166 cm 653/8"	→ Alucompact® → Pure-white → Fenix-NTM® → Glass → DEKTON®
	166/213/260 cm 653/8/837/8/1023/8"	→ Alucompact® → Pure-white → Fenix-NTM® → Glass *
	166/203/240 cm 653/8/797/8/944/8"	→ DEKTON®
	189 cm 743/8"	→ Alucompact® → Pure-white → Fenix-NTM® → Glass → DEKTON®
	189/236/283 cm 743/8/927/8/1113/8"	→ Alucompact® → Pure-white → Fenix-NTM® → Glass *
	189/226/263 cm 743/8/89/1034/8"	→ DEKTON®
	209 cm 822/8"	→ Alucompact® → Pure-white → Fenix-NTM® → Glass
	209/256/303 cm 822/8/1006/8/1192/8"	→ Alucompact® → Pure-white → Fenix-NTM® → Glass *
	229 cm 901/8"	→ Alucompact® → Pure-white → Glass → DEKTON®
	249 cm 98"	→ Alucompact® → Pure-white → Glass
	269 cm 1057/8"	→ Alucompact® → Pure-white → Glass → DEKTON®
289 cm 1136/8"	→ Alucompact® → Pure-white → Glass	

Tops

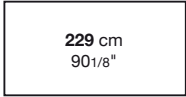
Depth 124 cm
Depth 487/8"

124



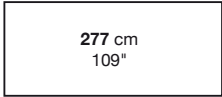
209 cm
82 2/8"

- Alucompact®
- Pure-white
- Glass



229 cm
90 1/8"

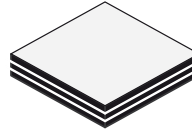
- Alucompact®
- Pure-white
- Glass



277 cm
109"

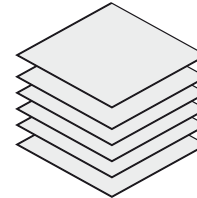
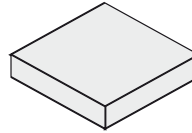
- Alucompact®
- Pure-white
- Glass

Alucompact® 10 mm thick



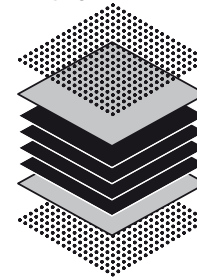
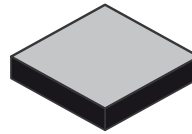
- laminate
- Kraft paper core
- aluminium
- Kraft paper core
- aluminium
- Kraft paper core
- laminate

Pure-white 10 mm thick



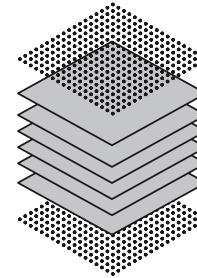
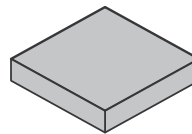
- laminate
- white core
- laminate

Fenix-NTM® black edge 10 mm thick



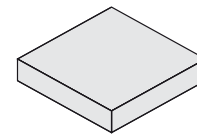
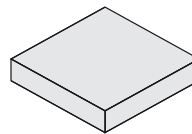
- surface obtained with the aid of nanotechnology
- decorative paper
- Kraft paper core
- decorative paper
- surface obtained with the aid of nanotechnology

Fenix-NTM® coloured edge 10 mm thick



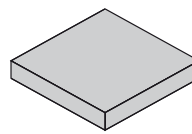
- surface obtained with the aid of nanotechnology
- decorative paper
- decorative paper
- decorative paper
- surface obtained with the aid of nanotechnology

Glass 10 mm thick



- glass
- lacquer

DEKTON® by Cosentino 8 mm thick



Dekton is a sophisticated mix of raw materials used to create glass, latest generation ceramic and top-quality quartz surfaces.

Maki Alucompact® / Pure-white

Extensible - Depth 80 cm.

Leg finish:

White lacquered aluminium (similar to RAL 9016)

"Alucompact® sand grey" lacquered aluminium (similar to RAL 9002)

"Alucompact® anthracite grey" lacquered aluminium (similar to RAL 7015)

Black lacquered aluminium (similar to RAL 9004)

Finish of top/extensions:

Alucompact® laminate (white, sand grey, anthracite grey, black)

Pure-white laminate

→ For tables with codes marked with an asterisk (*), a third extension can be added to further increase the length.

→ Important: sizes and finishes marked with (!) require longer production lead time, about 6 weeks from the date of the order.

→ Reinforced packaging, see page 205.

Extensible (►)

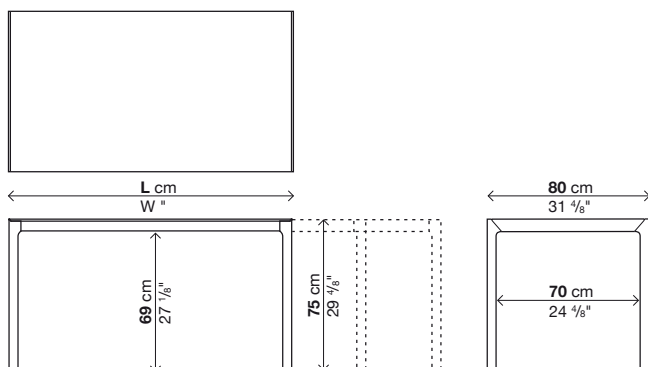
Code	Length (L)	Depth	Legs	Top	Price in EURO	Packs	Vol.³	Kg
01MAK01	114-154-194	80	lacquered	Alucompact	3	0,32	63	
				Pure-white (!)				
01MAK02	139-179-219	80	lacquered	Alucompact	3	0,37	69	
				Pure-white (!)				
01MAK07*	166-206-246	80	lacquered	Alucompact	3	0,42	75	
				Pure-white (!)				

(*) 3rd additional extension

Code	Length (L)	Extension	Price in EURO	Packs	Vol.³	Kg
50SUS05A	33	Alucompact	1	0,025	6	
		Pure-white				

Optionals

Code		Price in EURO	Packs	Vol.³	Kg
02GTA02	✂ legs height cut to size	-	-	-	-



Maki Alucompact® / Pure-white

Fixed - Depth 80 cm.

Leg finish:

White lacquered aluminium (similar to RAL 9016)

"Alucompact® sand grey" lacquered aluminium (similar to RAL 9002)

"Alucompact® anthracite grey" lacquered aluminium (similar to RAL 7015)

Black lacquered aluminium (similar to RAL 9004)

Finish of top:

Alucompact® laminate (white, sand grey, anthracite grey, black)

Pure-white laminate

→ Important: sizes and finishes marked with (!) require longer production lead time, about 6 weeks from the date of the order.


→ Tables that extend to more than 250 cm have a top that slightly bends, which complies with accepted quality standards.

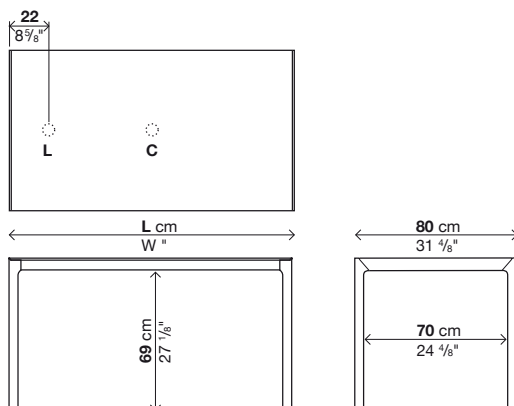
→ Reinforced packaging, see page 205.

Fixed (II)

Code	Length (L)	Depth	Legs	Top	Price in EURO	Paxis	Vol.³	Kg
01MAK01F	114	80	lacquered	Alucompact	1	0,27	43	
				Pure-white				
01MAK02F	139	80	lacquered	Alucompact	1	0,32	49	
				Pure-white				
01MAK28F	166	80	lacquered	Alucompact (!)	1	0,37	55	
				Pure-white (!)				
01MAK33F	189	80	lacquered	Alucompact (!)	1	0,41	60	
				Pure-white (!)				
01MAK35F	209	80	lacquered	Alucompact (!)	1	0,45	64	
				Pure-white (!)				
01MAK37F	229	80	lacquered	Alucompact (!)	1	0,49	68	
				Pure-white (!)				
01MAK43F	249	80	lacquered	Alucompact (!)	1	0,53	73	
				Pure-white (!)				
01MAK45F	269	80	lacquered	Alucompact (!)	1	0,57	76	
				Pure-white (!)				
01MAK47F	289	80	lacquered	Alucompact (!)	1	0,61	80	
				Pure-white (!)				

Optionals

Code			Price in EURO	Paxis	Vol.³	Kg
02GTA02		legs height cut to size	-	-	-	-
02FOR01	Ø6	lateral or central cable hole	-	-	-	-
02RET01		plastic cable mesh	1	0,07	1	
02VER01		vertebra, opal white methacrylate	1	0,007	1,5	
02CPU01		CPU unit, opal white methacrylate	1	0,14	5,5	



Maki Alucompact® / Pure-white / Fenix-NTM®

Extensible - Depth 90 cm.

Leg finish:

White lacquered aluminium (similar to RAL 9016)

"Alucompact® sand grey" lacquered aluminium (similar to RAL 9002)

"Alucompact® anthracite grey" lacquered aluminium (similar to RAL 7015)

"Fenix-NTM® London grey" lacquered aluminium (similar to RAL Design0805005)

"Fenix-NTM® Bromo grey" lacquered aluminium (similar to RAL 7012)

Black lacquered aluminium (similar to RAL 9004)

Finish of top/extensions:

Alucompact® laminate (white, sand grey, anthracite grey, black)

Pure-white laminate

Fenix-NTM® black edge (Kos white 0032, London grey 0718, Bromo grey 0724, Ingo black 0720)

Fenix-NTM® coloured edge (Kos white 0032, London grey 0718)

→ For tables with codes marked with an asterisk (*), a third extension can be added to further increase the length.

→ Important: sizes and finishes marked with (!) require longer production lead time, about 6 weeks from the date of the order.

→ Tables that extend to more than 250 cm have a top that slightly bends, which complies with accepted quality standards.

→ Reinforced packaging, see page 205.

Extensible (▶)

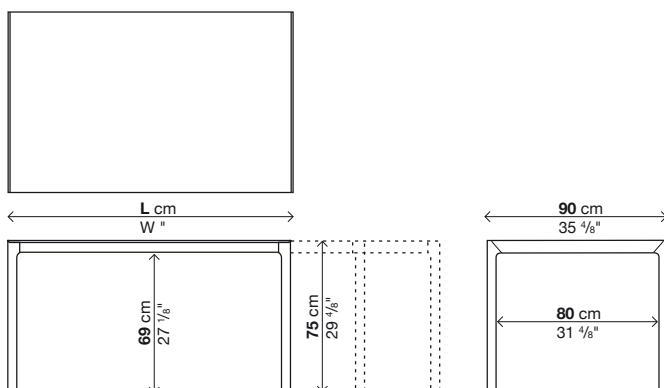
Code	Length (L)	Depth	Legs	Top	Price in EURO	Packs	Vol.³	Kg
01MAK03	139-176-214	90	lacquered	Alucompact	3	0,41	79	
				Pure-white				
				Fenix black edge				
				Fenix coloured edge				
01MAK04	166-203-241-278 3 rd standard extension	90	lacquered	Alucompact	4	0,5	89	
				Pure-white				
				Fenix black edge				
				Fenix coloured edge				
01MAK08*	189-226-263	90	lacquered	Alucompact	3	0,51	90	
				Pure-white				
				Fenix black edge				
				Fenix coloured edge				
01MAK30*	209-246-283	90	lacquered	Alucompact (!)	3	0,55	96	
				Pure-white (!)				
				Fenix black edge (!)				
				Fenix coloured edge(!)				

(*) 3rd additional extension

Code	Length (L)	Extension	Price in EURO	Packs	Vol.³	Kg
50SUS02A	37,5	Alucompact	1	0,025	6,5	
		Pure-white				
		Fenix black edge				
		Fenix coloured edge				

Optionals

Code			Price in EURO	Packs	Vol.³	Kg
02GTA02		legs height cut to size	-	-	-	-



Maki Alucompact® / Pure-white / Fenix-NTM®

Fixed - Depth 90 cm.

Leg finish:

White lacquered aluminium (similar to RAL 9016)

“Alucompact® sand grey” lacquered aluminium (similar to RAL 9002)

“Alucompact® anthracite grey” lacquered aluminium (similar to RAL 7015)

“Fenix-NTM® London grey” lacquered aluminium (similar to RAL Design0805005)

“Fenix-NTM® Bromo grey” lacquered aluminium (similar to RAL 7012)

Black lacquered aluminium (similar to RAL 9004)

Finish of top:

Alucompact® laminate (white, sand grey, anthracite grey, black)

Pure-white laminate

Fenix-NTM® black edge (Kos white 0032, London grey 0718, Bromo grey 0724, Ingo black 0720)

Fenix-NTM® coloured edge (Kos white 0032, London grey 0718)

→ Important: sizes and finishes marked with (!) require longer production lead time, about 6 weeks from the date of the order.

→ Tables that extend to more than 250 cm have a top that slightly bends, which complies with accepted quality standards.


→ Table L. 269 and 289cm have an under-top bars as a central support, therefore any cable hole cutouts cannot be centrally positioned in depth but must be slightly shifted.

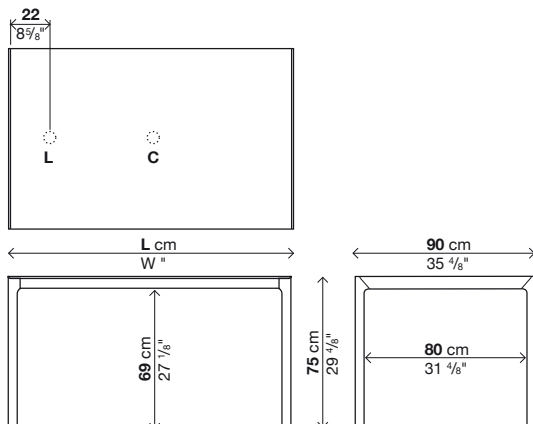
→ Reinforced packaging, see page 205.

Fixed (II)

Code	Length (L)	Depth	Legs	Top	Price in EURO	Packs	Vol.³	Kg
01MAK51F	114	90	lacquered	Alucompact	1	0,3	49	
				Pure-white				
01MAK03F	139	90	lacquered	Alucompact	1	0,36	54	
				Pure-white				
				Fenix black edge				
				Fenix coloured edge				
01MAK04F	166	90	lacquered	Alucompact	1	0,42	60	
				Pure-white				
				Fenix black edge				
				Fenix coloured edge				
01MAK53F	189	90	lacquered	Alucompact	1	0,46	65	
				Pure-white				
				Fenix black edge				
				Fenix coloured edge				
01MAK30F	209	90	lacquered	Alucompact	1	0,5	70	
				Pure-white				
				Fenix black edge				
				Fenix coloured edge				
01MAK55F	229	90	lacquered	Alucompact (!)	1	0,55	74	
				Pure-white (!)				
01MAK57F	249	90	lacquered	Alucompact (!)	1	0,59	79	
				Pure-white (!)				
01MAK59F	269	90	lacquered	Alucompact (!)	1	0,63	87	
				Pure-white (!)				
01MAK61F	289	90	lacquered	Alucompact (!)	1	0,67	93	
				Pure-white (!)				

Optionals

Code			Price in EURO	Packs	Vol.³	Kg
02GTA02		legs height cut to size	-	-	-	-
02FOR01	Ø6	lateral or central cable hole	-	-	-	-
02RET02		plastic cable mesh	1	0,07	1	
02VER01		vertebra, opal white methacrylate	1	0,007	1,5	
02CPU02		CPU unit, opal white methacrylate	1	0,14	5,5	



Maki Alucompact® / Pure-white / Fenix-NTM®

Extensible - Depth 100 cm.

Leg finish:

White lacquered aluminium (similar to RAL 9016)

"Alucompact® sand grey" lacquered aluminium (similar to RAL 9002)

"Alucompact® anthracite grey" lacquered aluminium (similar to RAL 7015)

"Fenix-NTM® London grey" lacquered aluminium (similar to RAL Design0805005)

"Fenix-NTM® Bromo grey" lacquered aluminium (similar to RAL 7012)

Black lacquered aluminium (similar to RAL 9004)

Finish of top/extensions:

Alucompact® laminate (white, sand grey, anthracite grey, black)

Pure-white laminate

Fenix-NTM® black edge (Kos white 0032, London grey 0718, Bromo grey 0724, Ingo black 0720)

Fenix-NTM® coloured edge (Kos white 0032, London grey 0718)

→ For tables with codes marked with an asterisk (*), a third extension can be added to further increase the length.

→ Tables that extend to more than 250 cm have a top that slightly bends, which complies with accepted quality standards.

→ Reinforced packaging, see page 205.

Extensible (▶)

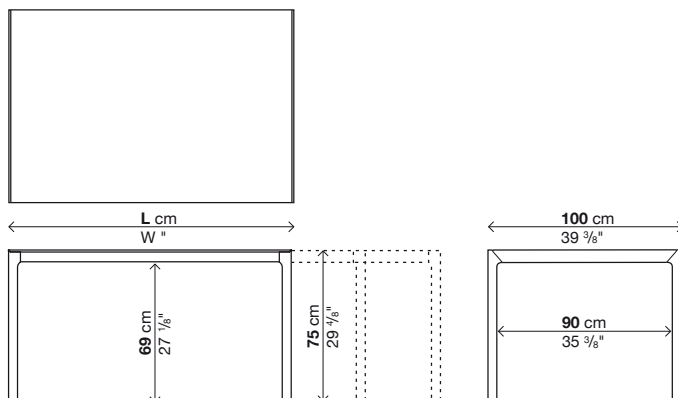
Code	Length (L)	Depth	Legs	Top	Price in EURO	Packs	Vol.³	Kg
01MAK05*	166-213-260	100	lacquered	Alucompact	3	0,52	93	
				Pure-white				
				Fenix black edge				
				Fenix coloured edge				
01MAK09*	189-236-283	100	lacquered	Alucompact	3	0,57	100	
				Pure-white				
				Fenix black edge				
				Fenix coloured edge				
01MAK06*	209-256-303	100	lacquered	Alucompact	3	0,62	106	
				Pure-white				
				Fenix black edge				
				Fenix coloured edge				

(*) 3rd additional extension

Code	Length (L)	Extension	Price in EURO	Packs	Vol.³	Kg
50SUS06A	33	Alucompact	1	0,035	6	
		Pure-white				
		Fenix black edge				
		Fenix coloured edge				

Optionals

Code			Price in EURO	Packs	Vol.³	Kg
02GTA02		legs height cut to size	-	-	-	-



Maki Alucompact® / Pure-white / Fenix-NTM®

Fixed - Depth 100 cm.

Leg finish:

White lacquered aluminium (similar to RAL 9016)

“Alucompact® sand grey” lacquered aluminium (similar to RAL 9002)

“Alucompact® anthracite grey” lacquered aluminium (similar to RAL 7015)

“Fenix-NTM® London grey” lacquered aluminium (similar to RAL Design0805005)

“Fenix-NTM® Bromo grey” lacquered aluminium (similar to RAL 7012)

Black lacquered aluminium (similar to RAL 9004)

Finish of top:

Alucompact® laminate (white, sand grey, anthracite grey, black)

Pure-white laminate

Fenix-NTM® black edge (Kos white 0032, London grey 0718, Bromo grey 0724, Ingo black 0720)

Fenix-NTM® coloured edge (Kos white 0032, London grey 0718)

→ Important: sizes and finishes marked with (!) require longer production lead time, about 6 weeks from the date of the order.

→ Tables that extend to more than 250 cm have a top that slightly bends, which complies with accepted quality standards.


→ Table L. 269 and 289cm have an under-top bars as a central support, therefore any cable hole cutouts cannot be centrally positioned in depth but must be slightly shifted.

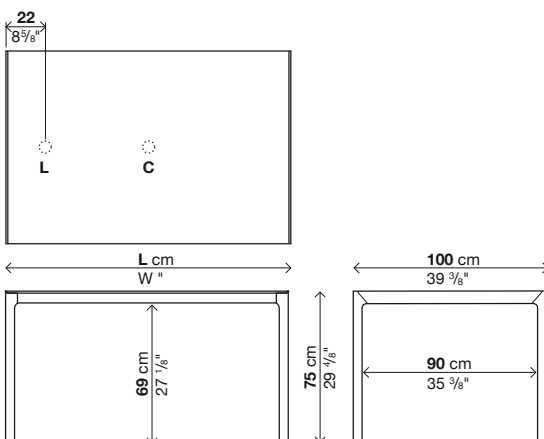
→ Reinforced packaging, see page 205.

Fixed (II)

Code	Length (L)	Depth	Legs	Top	Price in EURO	Packs	Vol.³	Kg
01MAK65F	139	100	lacquered	Alucompact		1	0,39	58
				Pure-white				
01MAK05F	166	100	lacquered	Alucompact		1	0,45	64
				Pure-white				
				Fenix black edge				
				Fenix coloured edge				
01MAK07F	189	100	lacquered	Alucompact		1	0,5	70
				Pure-white				
				Fenix black edge				
				Fenix coloured edge				
01MAK06F	209	100	lacquered	Alucompact		1	0,55	75
				Pure-white				
				Fenix black edge				
				Fenix coloured edge				
01MAK08F	229	100	lacquered	Alucompact (!)		1	0,6	80
				Pure-white (!)				
01MAK67F	249	100	lacquered	Alucompact (!)		1	0,65	85
				Pure-white (!)				
01MAK69F	269	100	lacquered	Alucompact (!)		1	0,69	63
				Pure-white (!)				
01MAK32F	289	100	lacquered	Alucompact (!)		1	0,74	98
				Pure-white (!)				

Optionals

Code		Price in EURO	Packs	Vol.³	Kg
02GTA02		legs height cut to size	-	-	-
02FOR01	Ø6	lateral or central cable hole	-	-	-
02RET03		plastic cable mesh	1	0,07	1
02VER01		vertebra, opal white methacrylate	1	0,007	1,5
02CPU03		CPU unit, opal white methacrylate	1	0,14	5,5



Maki Alucompact® / Pure-white

Fixed - Depth 124 cm.

Leg finish:

White lacquered aluminium (similar to RAL 9016)

“Alucompact® sand grey” lacquered aluminium (similar to RAL 9002)

“Alucompact® anthracite grey” lacquered aluminium (similar to RAL 7015)

Black lacquered aluminium (similar to RAL 9004)

Finish of top:

Alucompact® laminate (white, sand grey, anthracite grey, black)

Pure-white laminate

→ Important: sizes and finishes marked with (!) require longer production lead time, about 6 weeks from the date of the order.


→ Tables that extend to more than 250 cm have a top that slightly bends, which complies with accepted quality standards.

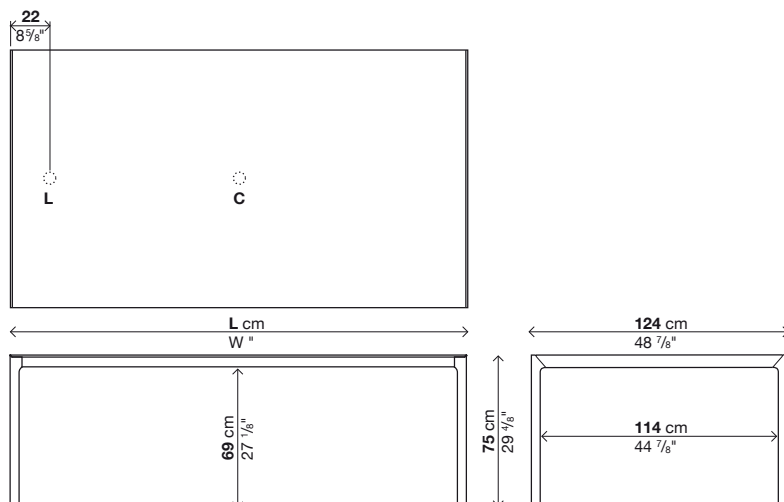
→ Reinforced packaging, see page 205.

Fixed (II)

Code	Length (L)	Depth	Legs	Top	Price in EURO	Packs	Vol.³	Kg
01MAK71F	209	124	lacquered	Alucompact (!)	1	0,66	94	
				Pure-white (!)				
01MAK73F	229	124	lacquered	Alucompact (!)	1	0,72	100	
				Pure-white (!)				
01MAK75F	277	124	lacquered	Alucompact (!)	1	0,85	116	
				Pure-white (!)				

Optionals

Code		Price in EURO	Packs	Vol.³	Kg
02GTA02		legs height cut to size	-	-	-
02FOR01	∅6	lateral or central cable hole	-	-	-
04RET04		plastic cable mesh	1	0,07	1
02VER01		vertebra, opal white methacrylate	1	0,007	1,5
02CPU04		CPU unit, opal white methacrylate	1	0,14	5,5



Maki DEKTON® by Cosentino

Extensible/Fixed - Depth 90/100 cm.

Leg finish:

White lacquered aluminium (similar to RAL 9016)

“Ventus grey” lacquered aluminium

Finish of top:

DEKTON® Zenith white

DEKTON® Ventus grey

DEKTON® Aura (digital marble)

Finish of extensions:

White lacquered aluminium (similar to RAL 9016)

“Ventus grey” lacquered aluminium

→ Important: sizes and finishes marked with (!) require longer production lead time, about 6 weeks from the date of the order.

→ Tables that extend to more than 250 cm have a top that slightly bends, which complies with accepted quality standards.

→ Reinforced packaging, see page 205.


Extensible (▶)

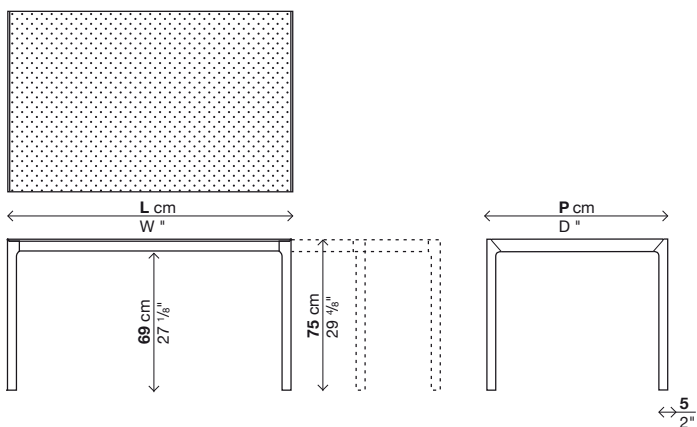
Code	Length (L)	Depth	Legs	Top	Price in EURO	Packs	Vol.³	Kg
01MAK03	139-176-214	90	lacquered	DEKTON (!)		3	0,41	97
01MAK04	166-203-241	90	lacquered	DEKTON (!)		3	0,5	110
01MAK08	189-226-263	90	lacquered	DEKTON (!)		3	0,51	113
01MAK05	166-203-240	100	lacquered	DEKTON (!)		3	0,52	116
01MAK09	189-226-263	100	lacquered	DEKTON (!)		3	0,57	126

Fixed (||)

Code	Length (L)	Depth	Legs	Top	Price in EURO	Packs	Vol.³	Kg
01MAK03F	139	90	lacquered	DEKTON (!)		1	0,36	68
01MAK04F	166	90	lacquered	DEKTON (!)		1	0,42	77
01MAK53F	189	90	lacquered	DEKTON (!)		1	0,46	84
01MAK05F	166	100	lacquered	DEKTON (!)		1	0,45	82
01MAK07F	189	100	lacquered	DEKTON (!)		1	0,5	91
01MAK08F	229	100	lacquered	DEKTON (!)		1	0,6	105
01MAK69F	269	100	lacquered	DEKTON (!)		1	0,69	123

Optionals

Code	Depth	Price in EURO	Packs	Vol.³	Kg
02GTA02		legs height cut to size	-	-	-
02RET01	80	plastic cable mesh	1	0,07	1
02RET02	90	plastic cable mesh	1	0,07	1
02RET03	100	plastic cable mesh	1	0,07	1
02VER01		vertebra, opal white methacrylate	1	0,007	1,5
02CPU01	80	CPU unit, opal white methacrylate	1	0,14	5,5
02CPU02	90	CPU unit, opal white methacrylate	1	0,14	5,5
02CPU03	100	CPU unit, opal white methacrylate	1	0,14	5,5



DEKTON®
by COSENTINO

 HIGHLY UV RESISTANT	 RESISTANT TO ABRASION	 RESISTANT TO STAIN
 MAXIMUM RESISTANCE TO FIRE AND HEAT	 LOW WATER ABSORPTION	 HIGH MECHANICAL RESISTANCE
 COLOUR STABILITY	 DIMENSIONAL STABILITY	 FIREPROOF MATERIAL

Maki glass

Extensible - Depth 80 cm.

Leg finish:

White lacquered aluminium (similar to RAL 9016)

Black lacquered aluminium (similar to RAL 9004)

Finish of top:

Gloss glass in standard colours: extra white, anthracite, black, titanium

Gloss glass in RAL/NCS range colours on request

Matt glass in colours: extra white, anthracite grey, black, titanium

Finish of extensions:

White Alucompact® laminate

Sand grey Alucompact® laminate

Anthracite grey Alucompact® laminate

Black Alucompact® laminate

→ For tables with codes marked with an asterisk (*), a third extension can be added to further increase the length.

→ Important: sizes and finishes marked with (!) require longer production lead time, about 6 weeks from the date of the order.

→ Please note: variations in shade against selected RAL/NCS sample cannot be avoided and are caused by colour refracting through the thickness of the glass.
RAL/NCS colours are not available in shades of white.

→ Tables that extend to more than 250 cm have a top that slightly bends, which complies with accepted quality standards.

→ Reinforced packaging, see page 205.

Extensible (►)

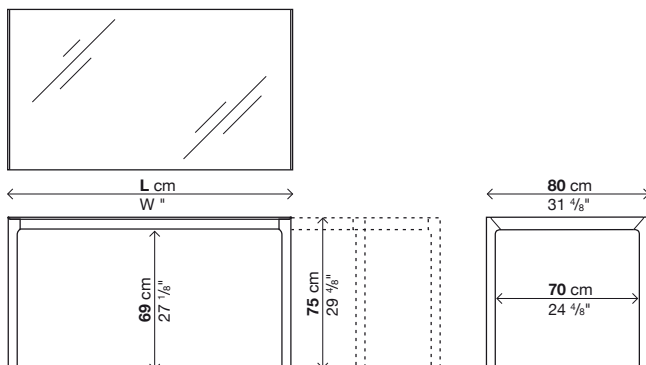
Code	Length (L)	Depth	Legs	Top	Price in EURO	Packs	Vol. m ³	Kg
01MAK11	114-154-194	80	lacquered	gloss in standard	3	0,32	72	
				gloss in RAL/NCS (!)				
				matt glass				
01MAK12	139-179-219	80	lacquered	gloss in standard	3	0,37	80	
				gloss in RAL/NCS (!)				
				matt glass				
01MAK16*	166-206-246	80	lacquered	gloss in standard	3	0,42	87	
				gloss in RAL/NCS (!)				
				matt glass				

(*) 3rd additional extension

Code	Length (L)	Extension	Price in EURO	Packs	Vol. m ³	Kg
50SUS05A	33	Alucompact		1	0,025	6

Optionals

Code	Icon	Description	Price in EURO	Packs	Vol. m ³	Kg
02GTA02	✂	legs height cut to size		-	-	-



Maki glass

Fixed - Depth 80 cm.

Leg finish:

White lacquered aluminium (similar to RAL 9016)

Black lacquered aluminium (similar to RAL 9004)

Finish of top:

Gloss glass in standard colours: extra white, anthracite, black, titanium

Gloss glass in RAL/NCS range colours on request

Matt glass in colours: extra white, anthracite grey, black, titanium

→ Important: sizes and finishes marked with (!) require longer production lead time, about 6 weeks from the date of the order.

→ Please note: variations in shade against selected RAL/NCS sample cannot be avoided and are caused by colour refracting through the thickness of the glass.
RAL/NCS colours are not available in shades of white.

→ Tables that extend to more than 250 cm have a top that slightly bends, which complies with accepted quality standards.

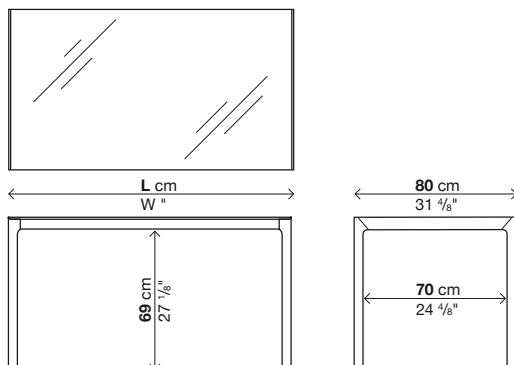
→ Reinforced packaging, see page 205.

Fixed (II)

Code	Length (L)	Depth	Legs	Top	Price in EURO	Packs	Vol.³	Kg
01MAK11F	114	80	lacquered	gloss in standard	1	0,27	52	
				gloss in RAL/NCS (!)				
				matt glass				
01MAK12F	139	80	lacquered	gloss in standard	1	0,32	60	
				gloss in RAL/NCS (!)				
				matt glass				
01MAK29F	166	80	lacquered	gloss in standard	1	0,37	66	
				gloss in RAL/NCS (!)				
				matt glass				
01MAK34F	189	80	lacquered	gloss in standard	1	0,41	74	
				gloss in RAL/NCS (!)				
				matt glass				
01MAK36F	209	80	lacquered	gloss in standard	1	0,45	80	
				gloss in RAL/NCS (!)				
				matt glass				
01MAK38F	229	80	lacquered	gloss in standard (!)	1	0,49	85	
				gloss in RAL/NCS (!)				
				matt glass (!)				
01MAK44F	249	80	lacquered	gloss in standard (!)	1	0,53	91	
				gloss in RAL/NCS (!)				
				matt glass (!)				
01MAK46F	269	80	lacquered	gloss in standard (!)	1	0,57	96	
				gloss in RAL/NCS (!)				
				matt glass (!)				
01MAK48F	289	80	lacquered	gloss in standard (!)	1	0,61	102	
				gloss in RAL/NCS (!)				
				matt glass (!)				

Optionals

Code		Price in EURO	Packs	Vol.³	Kg
02GTA02	✂	legs height cut to size	-	-	-
02RET01		plastic cable mesh	1	0,07	1
02VER01		vertebra, opal white methacrylate	1	0,007	1,5
02CPU01		CPU unit, opal white methacrylate	1	0,14	5,5



Maki glass

Extensible - Depth 90 cm.

Leg finish:

White lacquered aluminium (similar to RAL 9016)

Black lacquered aluminium (similar to RAL 9004)

Finish of top:

Gloss glass in standard colours: extra white, anthracite, black, titanium

Gloss glass in RAL/NCS range colours on request

Matt glass in colours: extra white, anthracite grey, black, titanium

Finish of extensions:

White Alucompact® laminate

Sand grey Alucompact® laminate

Anthracite grey Alucompact® laminate

Black Alucompact® laminate

→ For tables with codes marked with an asterisk (*), a third extension can be added to further increase the length.

→ Important: sizes and finishes marked with (!) require longer production lead time, about 6 weeks from the date of the order.

→ Please note: variations in shade against selected RAL/NCS sample cannot be avoided and are caused by colour refracting through the thickness of the glass.
RAL/NCS colours are not available in shades of white.

→ Tables that extend to more than 250 cm have a top that slightly bends, which complies with accepted quality standards.

→ Reinforced packaging, see page 205.

Extensible (▶)

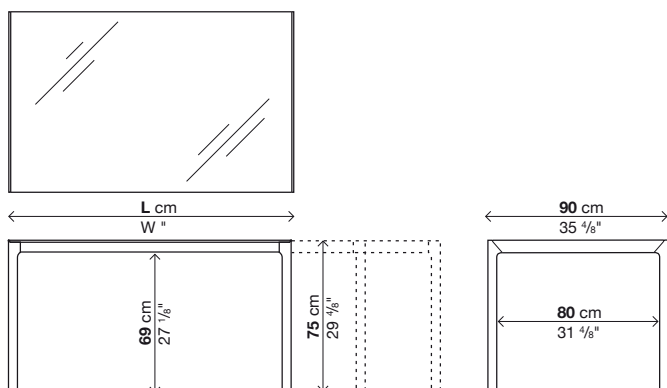
Code	Length (L)	Depth	Legs	Top	Price in EURO	Packs	Vol. m ³	Kg
01MAK13	139-176-214	90	lacquered	gloss in standard		3	0,41	89
				gloss in RAL/NCS (!)				
				matt glass				
01MAK14	166-203-241-278 <small>3 rd standard extension</small>	90	lacquered	gloss in standard		4	0,5	104
				gloss in RAL/NCS (!)				
				matt glass				
01MAK18*	189-226-263	90	lacquered	gloss in standard		3	0,51	106
				gloss in RAL/NCS (!)				
				matt glass				
01MAK40*	209-246-283	90	lacquered	gloss in standard		3	0,55	113
				gloss in RAL/NCS (!)				
				matt glass				

(*) 3rd additional extension

Code	Length (L)	Extension	Price in EURO	Packs	Vol. m ³	Kg
50SUS02A	37,5	Alucompact		1	0,025	6,5

Optionals

Code		Price in EURO	Packs	Vol. m ³	Kg
02GTA02	 legs height cut to size	-	-	-	-



Maki glass

Fixed - Depth 90 cm.

Leg finish:

White lacquered aluminium (similar to RAL 9016)

Black lacquered aluminium (similar to RAL 9004)

Finish of top:

Gloss glass in standard colours: extra white, anthracite, black, titanium

Gloss glass in RAL/NCS range colours on request

Matt glass in colours: extra white, anthracite grey, black, titanium

→ Important: sizes and finishes marked with (!) require longer production lead time, about 6 weeks from the date of the order.

→ Please note: variations in shade against selected RAL/NCS sample cannot be avoided and are caused by colour refracting through the thickness of the glass.
RAL/NCS colours are not available in shades of white.


→ Tables that extend to more than 250 cm have a top that slightly bends, which complies with accepted quality standards.

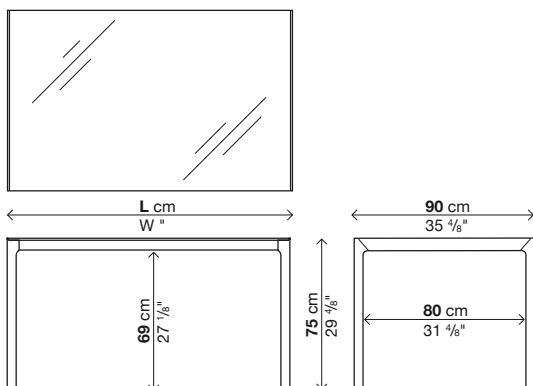
→ Reinforced packaging, see page 205.

Fixed (II)

Code	Length (L)	Depth	Legs	Top	Price in EURO	Paxis Vol. #	Kg
01MAK52F	114	90	lacquered	gloss in standard	1	0,3	59
				gloss in RAL/NCS (!)			
				matt glass			
01MAK13F	139	90	lacquered	gloss in standard	1	0,36	66
				gloss in RAL/NCS (!)			
				matt glass			
01MAK14F	166	90	lacquered	gloss in standard	1	0,42	75
				gloss in RAL/NCS (!)			
				matt glass			
01MAK54F	189	90	lacquered	gloss in standard	1	0,46	82
				gloss in RAL/NCS (!)			
				matt glass			
01MAK40F	209	90	lacquered	gloss in standard	1	0,5	88
				gloss in RAL/NCS (!)			
				matt glass			
01MAK56F	229	90	lacquered	gloss in standard (!)	1	0,55	94
				gloss in RAL/NCS (!)			
				matt glass (!)			
01MAK58F	249	90	lacquered	gloss in standard (!)	1	0,59	100
				gloss in RAL/NCS (!)			
				matt glass (!)			
01MAK60F	269	90	lacquered	gloss in standard (!)	1	0,63	111
				gloss in RAL/NCS (!)			
				matt glass (!)			
01MAK62F	289	90	lacquered	gloss in standard (!)	1	0,67	117
				gloss in RAL/NCS (!)			
				matt glass (!)			

Optionals

Code		Price in EURO	Paxis Vol. #	Kg
02GTA02		legs height cut to size	-	-
02RET02		plastic cable mesh	1	0,07
02VER01		vertebra, opal white methacrylate	1	0,007
02CPU02		CPU unit, opal white methacrylate	1	0,14



Maki glass

Extensible - Depth 100 cm.

Leg finish:

White lacquered aluminium (similar to RAL 9016)

Black lacquered aluminium (similar to RAL 9004)

Finish of top:

Gloss glass in standard colours: extra white, anthracite, black, titanium

Gloss glass in RAL/NCS range colours on request

Matt glass in colours: extra white, anthracite grey, black, titanium

Finish of extensions:

White Alucompact® laminate

Sand grey Alucompact® laminate

Anthracite grey Alucompact® laminate

Black Alucompact® laminate

→ For tables with codes marked with an asterisk (*), a third extension can be added to further increase the length.

→ Important: sizes and finishes marked with (!) require longer production lead time, about 6 weeks from the date of the order.

→ Please note: variations in shade against selected RAL/NCS sample cannot be avoided and are caused by colour refracting through the thickness of the glass.
RAL/NCS colours are not available in shades of white.

→ Tables that extend to more than 250 cm have a top that slightly bends, which complies with accepted quality standards.

→ Reinforced packaging, see page 205.

Extensible (►)

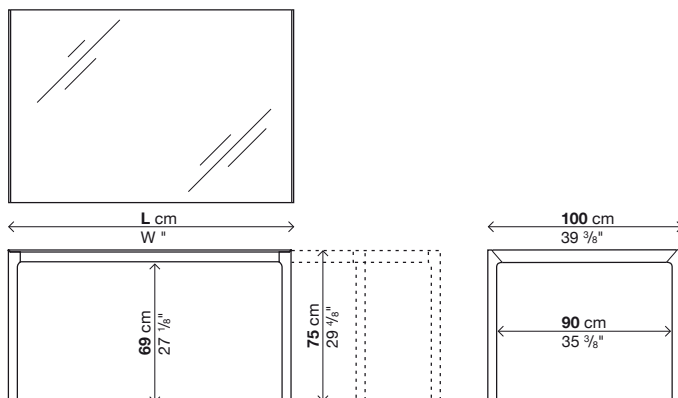
Code	Length (L)	Depth	Legs	Top	Price in EURO	Packs	Vol. m ³	Kg
01MAK15*	166-213-260	100	lacquered	gloss in standard		3	0,52	109
				gloss in RAL/NCS (!)				
				matt glass				
01MAK19*	189-236-283	100	lacquered	gloss in standard		3	0,57	116
				gloss in RAL/NCS (!)				
				matt glass				
01MAK17*	209-256-303	100	lacquered	gloss in standard		3	0,62	126
				gloss in RAL/NCS (!)				
				matt glass				

(*) 3rd additional extension

Code	Length (L)	Extension	Price in EURO	Packs	Vol. m ³	Kg
50SUS06A	33	Alucompact		1	0,025	6

Optionals

Code			Price in EURO	Packs	Vol. m ³	Kg
02GTA02		legs height cut to size		-	-	-



Maki glass

Fixed - Depth 100 cm.

Leg finish:

White lacquered aluminium (similar to RAL 9016)

Black lacquered aluminium (similar to RAL 9004)

Finish of top:

Gloss glass in standard colours: extra white, anthracite, black, titanium

Gloss glass in RAL/NCS range colours on request

Matt glass in colours: extra white, anthracite grey, black, titanium

→ Important: sizes and finishes marked with (!) require longer production lead time, about 6 weeks from the date of the order.

→ Please note: variations in shade against selected RAL/NCS sample cannot be avoided and are caused by colour refracting through the thickness of the glass.
RAL/NCS colours are not available in shades of white.


→ Tables that extend to more than 250 cm have a top that slightly bends, which complies with accepted quality standards.

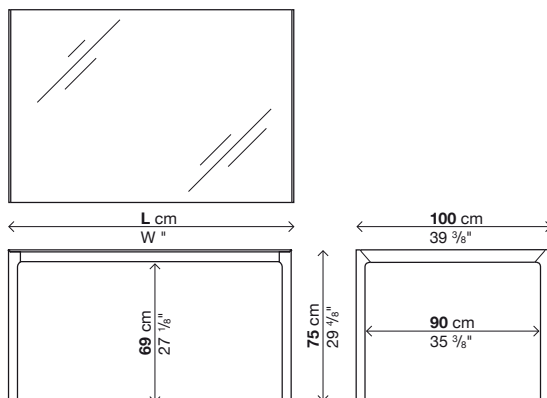
→ Reinforced packaging, see page 205.

Fixed (II)

Code	Length (L)	Depth	Legs	Top	Price in EURO	Packs	Vol.³	Kg
01MAK66F	139	100	lacquered	gloss in standard	1	0,39	71	
				gloss in RAL/NCS (!)				
				matt glass				
01MAK15F	166	100	lacquered	gloss in standard	1	0,45	80	
				gloss in RAL/NCS (!)				
				matt glass				
01MAK18F	189	100	lacquered	gloss in standard	1	0,5	88	
				gloss in RAL/NCS (!)				
				matt glass				
01MAK17F	209	100	lacquered	gloss in standard	1	0,55	94	
				gloss in RAL/NCS (!)				
				matt glass				
01MAK19F	229	100	lacquered	gloss in standard (!)	1	0,6	101	
				gloss in RAL/NCS (!)				
				matt glass (!)				
01MAK68F	249	100	lacquered	gloss in standard (!)	1	0,65	108	
				gloss in RAL/NCS (!)				
				matt glass (!)				
01MAK70F	269	100	lacquered	gloss in standard (!)	1	0,69	118	
				gloss in RAL/NCS (!)				
				matt glass (!)				
01MAK42F	289	100	lacquered	gloss in standard (!)	1	0,74	126	
				gloss in RAL/NCS (!)				
				matt glass (!)				

Optionals

Code		Price in EURO	Packs	Vol.³	Kg
02GTA02		legs height cut to size	-	-	-
02RET03		plastic cable mesh	1	0,07	1
02VER01		vertebra, opal white methacrylate	1	0,007	1,5
02CPU03		CPU unit, opal white methacrylate	1	0,14	5,5



Maki glass

Fixed - Depth 124 cm.

Leg finish:

White lacquered aluminium (similar to RAL 9016)

Black lacquered aluminium (similar to RAL 9004)

Finish of top:

Gloss glass in standard colours: extra white, anthracite, black, titanium

Gloss glass in RAL/NCS range colours on request

Matt glass in colours: extra white, anthracite grey, black, titanium

→ Important: sizes and finishes marked with (!) require longer production lead time, about 6 weeks from the date of the order.

→ Please note: variations in shade against selected RAL/NCS sample cannot be avoided and are caused by colour refracting through the thickness of the glass.
RAL/NCS colours are not available in shades of white.


→ Tables that extend to more than 250 cm have a top that slightly bends, which complies with accepted quality standards.

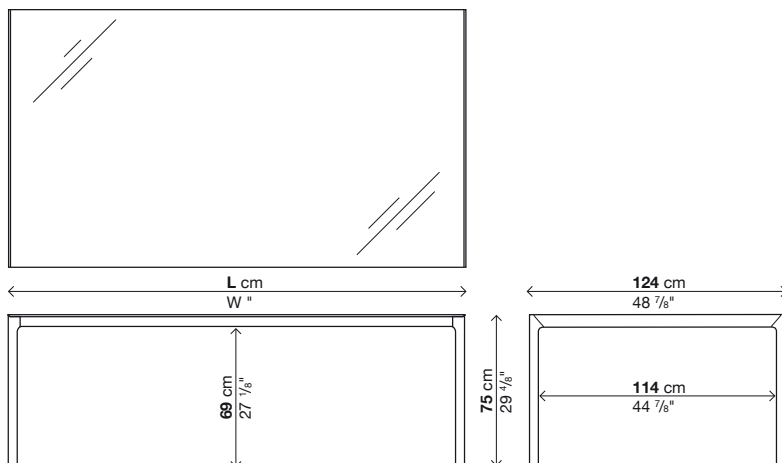
→ Reinforced packaging, see page 205.

Fixed (II)

Code	Length (L)	Depth	Legs	Top	Price in EURO	Paxs	Vol.³	Kg
01MAK72F	209	124	lacquered	gloss in standard (!)	1	0,66	117	
				gloss in RAL/NCS (!)				
				matt glass (!)				
01MAK74F	229	124	lacquered	gloss in standard (!)	1	0,72	126	
				gloss in RAL/NCS (!)				
				matt glass (!)				
01MAK76F	277	124	lacquered	gloss in standard (!)	1	0,85	148	
				gloss in RAL/NCS (!)				
				matt glass (!)				

Optionals

Code		Price in EURO	Paxs	Vol.³	Kg
02GTA02		legs height cut to size	-	-	-
04RET04		plastic cable mesh	1	0,07	1
02VER01		vertebra, opal white methacrylate	1	0,007	1,5
02CPU04		CPU unit, opal white methacrylate	1	0,14	5,5



Maki

Legenda dimensioni

Prof. 80 cm
Depth 314/8"

80	114 cm 447/8"	→ Alucompact® → Pure-white → Vetro
	114/154/194 cm 447/8/605/8/763/8"	→ Alucompact® → Pure-white → Vetro
	139 cm 546/8"	→ Alucompact® → Pure-white → Vetro
	139/179/219 cm 546/8/704/8/862/8"	→ Alucompact® → Pure-white → Vetro
	166 cm 653/8"	→ Alucompact® → Pure-white → Vetro
	166/206/246 cm 653/8/811/8/967/8"	→ Alucompact® → Pure-white → Vetro *
	189 cm 743/8"	→ Alucompact® → Pure-white → Vetro
	209 cm 822/8"	→ Alucompact® → Pure-white → Vetro
	229 cm 901/8"	→ Alucompact® → Pure-white → Vetro
	249 cm 98"	→ Alucompact® → Pure-white → Vetro
	269 cm 1057/8"	→ Alucompact® → Pure-white → Vetro
	289 cm 1136/8"	→ Alucompact® → Pure-white → Vetro

Prof. 90 cm
Depth 353/8"

90	114 cm 447/8"	→ Alucompact® → Pure-white → Vetro
	139 cm 546/8"	→ Alucompact® → Pure-white → Fenix-NTM® → Vetro → DEKTON®
	139/176/214 cm 546/8/692/8/842/8"	→ Alucompact® → Pure-white → Fenix-NTM® → Vetro → DEKTON®
	166 cm 653/8"	→ Alucompact® → Pure-white → Fenix-NTM® → Vetro → DEKTON®
	166/203/241/278 cm 653/8/797/8/947/8/1094/8"	→ Alucompact® → Pure-white → Fenix-NTM® → Vetro
	166/203/241 cm 653/8/797/8/947/8"	→ DEKTON®
	189 cm 743/8"	→ Alucompact® → Pure-white → Fenix-NTM® → Vetro → DEKTON®
	189/226/263 cm 743/8/89/1034/8"	→ Alucompact® → Pure-white → Fenix-NTM® → Vetro *
	189/226/263 cm 743/8/89/1034/8"	→ DEKTON®
	209 cm 822/8"	→ Alucompact® → Pure-white → Fenix-NTM® → Vetro
	209/246/283 cm 822/8/967/8/1113/8"	→ Alucompact® → Pure-white → Fenix-NTM® → Vetro *
	229 cm 901/8"	→ Alucompact® → Pure-white → Vetro
	249 cm 98"	→ Alucompact® → Pure-white → Vetro
	269 cm 1057/8"	→ Alucompact® → Pure-white → Vetro
	289 cm 1136/8"	→ Alucompact® → Pure-white → Vetro

Prof. 100 cm
Depth 393/8"

100	139 cm 546/8"	→ Alucompact® → Pure-white → Vetro
	166 cm 653/8"	→ Alucompact® → Pure-white → Fenix-NTM® → Vetro → DEKTON®
	166/213/260 cm 653/8/837/8/1023/8"	→ Alucompact® → Pure-white → Fenix-NTM® → Vetro *
	166/203/240 cm 653/8/797/8/944/8"	→ DEKTON®
	189 cm 743/8"	→ Alucompact® → Pure-white → Fenix-NTM® → Vetro → DEKTON®
	189/236/283 cm 743/8/927/8/1113/8"	→ Alucompact® → Pure-white → Fenix-NTM® → Vetro *
	189/226/263 cm 743/8/89/1034/8"	→ DEKTON®
	209 cm 822/8"	→ Alucompact® → Pure-white → Fenix-NTM® → Vetro
	209/256/303 cm 822/8/1006/8/1192/8"	→ Alucompact® → Pure-white → Fenix-NTM® → Vetro *
	229 cm 901/8"	→ Alucompact® → Pure-white → Vetro → DEKTON®
	249 cm 98"	→ Alucompact® → Pure-white → Vetro
	269 cm 1057/8"	→ Alucompact® → Pure-white → Vetro → DEKTON®
	289 cm 1136/8"	→ Alucompact® → Pure-white → Vetro

Piani

Prof. 124 cm
Depth 48 7/8"

124

209 cm
82 2/8"

→ Alucompact®
→ Pure-white
→ Vetro

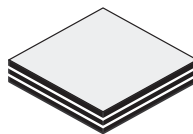
229 cm
90 1/8"

→ Alucompact®
→ Pure-white
→ Vetro

277 cm
109"

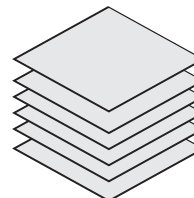
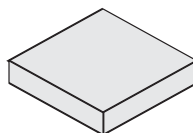
→ Alucompact®
→ Pure-white
→ Vetro

Alucompact® Sp. 10 mm



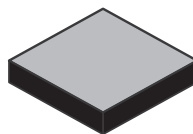
→ laminato
→ core (carta Kraft)
→ alluminio
→ core (carta Kraft)
→ alluminio
→ core (carta Kraft)
→ laminato

Pure-white Sp. 10 mm



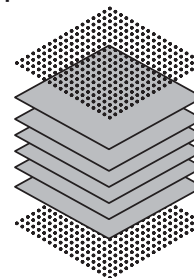
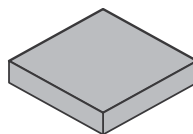
→ laminato
→ core bianco
→ laminato

Fenix-NTM® bordo nero Sp. 10 mm



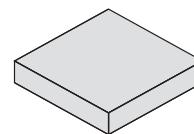
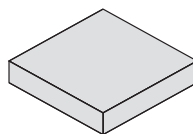
→ superficie ottenuta con l'ausilio di nanotecnologie
→ carta decorativa
→ core (carta Kraft)
→ carta decorativa
→ superficie ottenuta con l'ausilio di nanotecnologie

Fenix-NTM® bordo colore Sp. 10 mm



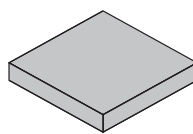
→ superficie ottenuta con l'ausilio di nanotecnologie
→ carta decorativa
→ carta decorativa
→ carta decorativa
→ superficie ottenuta con l'ausilio di nanotecnologie

Vetro Sp. 10 mm



→ vetro
→ verniciatura

DEKTON® by Cosentino Sp. 8 mm



Dekton è una sofisticata miscela di materie prime utilizzate per la creazione di vetro, ceramica di ultima generazione e superfici in quarzo di altissima qualità

Maki Alucompact® / Pure-white

Allungabile - Prof. 80 cm.

Finitura gambe:

Alluminio verniciato bianco (simile al Ral 9016)

Alluminio verniciato "Alucompact® grigio sabbia" (simile al Ral 9002)

Alluminio verniciato "Alucompact® grigio antracite" (simile al Ral 7015)

Alluminio verniciato nero (simile al Ral 9004)

Finitura piano/prolunghe:

Laminato Alucompact® (bianco, grigio sabbia, grigio antracite, nero)

Laminato Pure-white bianco

→ Nei tavoli con i codici contrassegnati con l'asterisco (*) c'è la possibilità di aggiungere la terza prolunga per aumentare ulteriormente l'allungo.

→ Attenzione: le misure o le finiture contrassegnate con (!) hanno tempi di produzione più lunghi, circa 6 settimane dalla data dell'ordine.

→ Imballi rinforzati vedi pag. 205.

Allungabile (►)

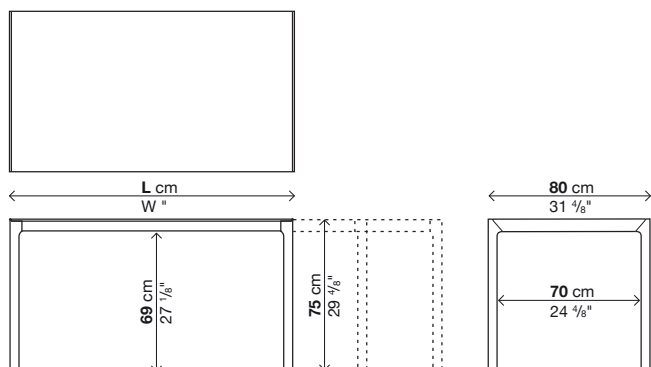
Codice	Lunghezza (L)	Prof.	Gambe	Piano	Prezzi EURO	colli	m ³	Kg
01MAK01	114-154-194	80	verniciato	Alucompact	3	0,32	63	
				Pure-white (!)				
01MAK02	139-179-219	80	verniciato	Alucompact	3	0,37	69	
				Pure-white (!)				
01MAK07*	166-206-246	80	verniciato	Alucompact	3	0,42	75	
				Pure-white (!)				

(*) 3^a prolunga aggiuntiva

Codice	Lunghezza (L)	Prolunga	Prezzi EURO	colli	m ³	Kg
50SUS05A	33	Alucompact	1	0,025	6	
		Pure-white				

Optionals

Codice		Prezzi EURO	colli	m ³	Kg
02GTA02	 taglio gambe a misura	-	-	-	-



Maki Alucompact® / Pure-white

Fisso - Prof. 80 cm.

Finitura gambe:

Alluminio verniciato bianco (simile al Ral 9016)

Alluminio verniciato "Alucompact® grigio sabbia" (simile al Ral 9002)

Alluminio verniciato "Alucompact® grigio antracite" (simile al Ral 7015)

Alluminio verniciato nero (simile al Ral 9004)

Finitura piano:

Laminato Alucompact® (bianco, grigio sabbia, grigio antracite, nero)

Laminato Pure-white bianco

→ *Attenzione: le misure o le finiture contrassegnate con (!) hanno tempi di produzione più lunghi, circa 6 settimane dalla data dell'ordine.*


→ *I tavoli che in estensione superano i 250 cm presentano una leggera flessione del piano, che rientra negli standard di qualità accettati.*

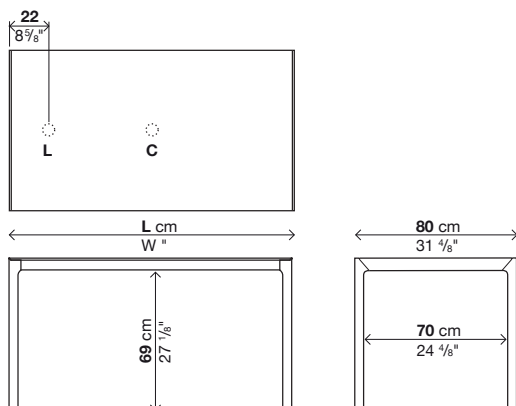
→ *Imballi rinforzati vedi pag. 205.*

Fisso (II)

Codice	Lunghezza (L)	Prof.	Gambe	Piano	Prezzi EURO	colli	m ²	Kg
01MAK01F	114	80	verniciato	Alucompact Pure-white		1	0,27	43
01MAK02F	139	80	verniciato	Alucompact Pure-white		1	0,32	49
01MAK28F	166	80	verniciato	Alucompact (!) Pure-white (!)		1	0,37	55
01MAK33F	189	80	verniciato	Alucompact (!) Pure-white (!)		1	0,41	60
01MAK35F	209	80	verniciato	Alucompact (!) Pure-white (!)		1	0,45	64
01MAK37F	229	80	verniciato	Alucompact (!) Pure-white (!)		1	0,49	68
01MAK43F	249	80	verniciato	Alucompact (!) Pure-white (!)		1	0,53	73
01MAK45F	269	80	verniciato	Alucompact (!) Pure-white (!)		1	0,57	76
01MAK47F	289	80	verniciato	Alucompact (!) Pure-white (!)		1	0,61	80

Optionals

Codice		Prezzi EURO	colli	m ²	Kg
02GTA02			-	-	-
02FOR01	Ø6		-	-	-
02RET01			1	0,07	1
02VER01			1	0,007	1,5
02CPU01			1	0,14	5,5



Maki Alucompact® / Pure-white / Fenix-NTM®

Allungabile - Prof. 90 cm.

Finitura gambe:

Alluminio verniciato bianco (simile al Ral 9016)

Alluminio verniciato "Alucompact® grigio sabbia" (simile al Ral 9002)

Alluminio verniciato "Alucompact® grigio antracite" (simile al Ral 7015)

Alluminio verniciato "Fenix-NTM® grigio Londra" (simile al Ral Design0805005)

Alluminio verniciato "Fenix-NTM® grigio Bromo" (simile al Ral 7012)

Alluminio verniciato nero (simile al Ral 9004)

Finitura piano/prolunghe:

Laminato Alucompact® (bianco, grigio sabbia, grigio antracite, nero)

Laminato Pure-white bianco

Fenix-NTM® bordo nero (bianco Kos 0032, grigio Londra 0718, grigio Bromo 0724, nero Ingo 0720)

Fenix-NTM® bordo colore (bianco Kos 0032, grigio Londra 0718)

→ Nei tavoli con i codici contrassegnati con l'asterisco (*) c'è la possibilità di aggiungere la terza prolunga per aumentare ulteriormente l'allungo.

→ Attenzione: le misure o le finiture contrassegnate con (!) hanno tempi di produzione più lunghi, circa 6 settimane dalla data dell'ordine.

→ I tavoli che in estensione superano i 250 cm presentano una leggera flessione del piano, che rientra negli standard di qualità accettati.

→ Imballi rinforzati vedi pag. 205.

Allungabile (►)

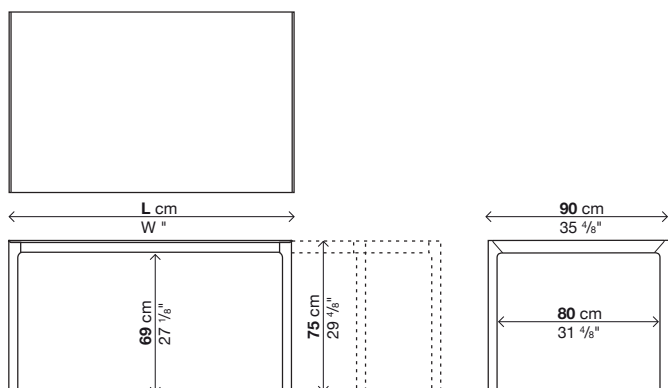
Codice	Lunghezza (L)	Prof.	Gambe	Piano	Prezzi EURO	colli	m ²	Kg
01MAK03	139-176-214	90	verniciato	Alucompact	3	0,41	79	
				Pure-white				
				Fenix bordo nero				
				Fenix bordo colore				
01MAK04	166-203-241-278 3ª prolunga di serie	90	verniciato	Alucompact	4	0,5	89	
				Pure-white				
				Fenix bordo nero				
				Fenix bordo colore				
01MAK08*	189-226-263	90	verniciato	Alucompact	3	0,51	90	
				Pure-white				
				Fenix bordo nero				
				Fenix bordo colore				
01MAK30*	209-246-283	90	verniciato	Alucompact (!)	3	0,55	96	
				Pure-white (!)				
				Fenix bordo nero (!)				
				Fenix bordo colore (!)				

(*) 3ª prolunga aggiuntiva

Codice	Lunghezza (L)	Prolunga	Prezzi EURO	colli	m ²	Kg
50SUS02A	37,5	Alucompact	1	0,025	6,5	
		Pure-white				
		Fenix bordo nero				
		Fenix bordo colore				

Optionals

Codice			Prezzi EURO	colli	m ²	Kg
02GTA02		taglio gambe a misura	-	-	-	-



Maki Alucompact® / Pure-white / Fenix-NTM®

Fisso - Prof. 90 cm.

Finitura gambe:

Alluminio verniciato bianco (simile al Ral 9016)
 Alluminio verniciato "Alucompact® grigio sabbia" (simile al Ral 9002)
 Alluminio verniciato "Alucompact® grigio antracite" (simile al Ral 7015)
 Alluminio verniciato "Fenix-NTM® grigio Londra" (simile al Ral Design0805005)
 Alluminio verniciato "Fenix-NTM® grigio Bromo" (simile al Ral 7012)
 Alluminio verniciato nero (simile al Ral 9004)

Finitura piano:

Laminato Alucompact® (bianco, grigio sabbia, grigio antracite, nero)

Laminato Pure-white bianco

Fenix-NTM® bordo nero (bianco Kos 0032, grigio Londra 0718, grigio Bromo 0724, nero Ingo 0720)

Fenix-NTM® bordo colore (bianco Kos 0032, grigio Londra 0718)

→ *Attenzione: le misure o le finiture contrassegnate con (!) hanno tempi di produzione più lunghi, circa 6 settimane dalla data dell'ordine.*

→ *I tavoli che in estensione superano i 250 cm presentano una leggera flessione del piano, che rientra negli standard di qualità accettati.*



→ *I tavoli lunghezza 269 e 289 cm presentano una trafilata sottopiano di supporto centrale, pertanto eventuali fori passacavi non potranno essere posizionati centrati nella profondità ma lievemente spostati.*

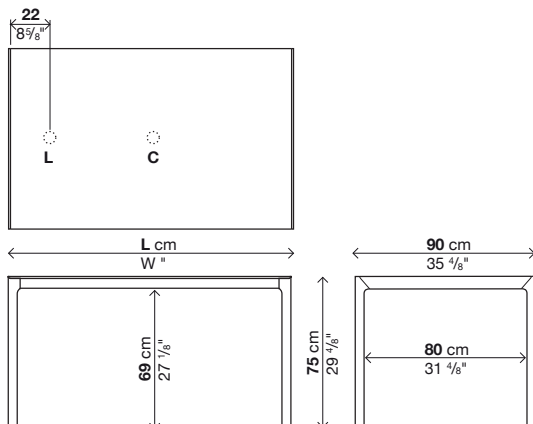
→ *Imballi rinforzati vedi pag. 205.*

Fisso (II)

Codice	Lunghezza (L)	Prof.	Gambe	Piano	Prezzi EURO	colli	m ²	Kg
01MAK51F	114	90	verniciato	Alucompact	1	0,3	49	
				Pure-white				
01MAK03F	139	90	verniciato	Alucompact	1	0,36	54	
				Pure-white				
				Fenix bordo nero				
				Fenix bordo colore				
01MAK04F	166	90	verniciato	Alucompact	1	0,42	60	
				Pure-white				
				Fenix bordo nero				
				Fenix bordo colore				
01MAK53F	189	90	verniciato	Alucompact	1	0,46	65	
				Pure-white				
				Fenix bordo nero				
				Fenix bordo colore				
01MAK30F	209	90	verniciato	Alucompact	1	0,5	70	
				Pure-white				
				Fenix bordo nero				
				Fenix bordo colore				
01MAK55F	229	90	verniciato	Alucompact (!)	1	0,55	74	
				Pure-white (!)				
01MAK57F	249	90	verniciato	Alucompact (!)	1	0,59	79	
				Pure-white (!)				
01MAK59F	269	90	verniciato	Alucompact (!)	1	0,63	87	
				Pure-white (!)				
01MAK61F	289	90	verniciato	Alucompact (!)	1	0,67	93	
				Pure-white (!)				

Optionals

Codice			Prezzi EURO	colli	m ²	Kg
02GTA02		taglio gambe a misura	-	-	-	-
02FOR01		foro passacavi laterale o centrale	-	-	-	-
02RET02		rete cablaggio, materiale plastico	1	0,07	1	
02VER01		vertebra, metacrilato opalino	1	0,007	1,5	
02CPU02		porta CPU, metacrilato opalino	1	0,14	5,5	



Maki Alucompact® / Pure-white / Fenix-NTM®

Allungabile - Prof. 100 cm.

Finitura gambe:

Alluminio verniciato bianco (simile al Ral 9016)

Alluminio verniciato "Alucompact® grigio sabbia" (simile al Ral 9002)

Alluminio verniciato "Alucompact® grigio antracite" (simile al Ral 7015)

Alluminio verniciato "Fenix-NTM® grigio Londra" (simile al Ral Design0805005)

Alluminio verniciato "Fenix-NTM® grigio Bromo" (simile al Ral 7012)

Alluminio verniciato nero (simile al Ral 9004)

Finitura piano/prolunghe:

Laminato Alucompact® (bianco, grigio sabbia, grigio antracite, nero)

Laminato Pure-white bianco

Fenix-NTM® bordo nero (bianco Kos 0032, grigio Londra 0718, grigio Bromo 0724, nero Ingo 0720)

Fenix-NTM® bordo colore (bianco Kos 0032, grigio Londra 0718)

→ Nei tavoli con i codici contrassegnati con l'asterisco (*) c'è la possibilità di aggiungere la terza prolunga per aumentare ulteriormente l'allungo.

→ I tavoli che in estensione superano i 250 cm presentano una leggera flessione del piano, che rientra negli standard di qualità accettati.

→ Imballi rinforzati vedi pag. 205.

Allungabile (►)

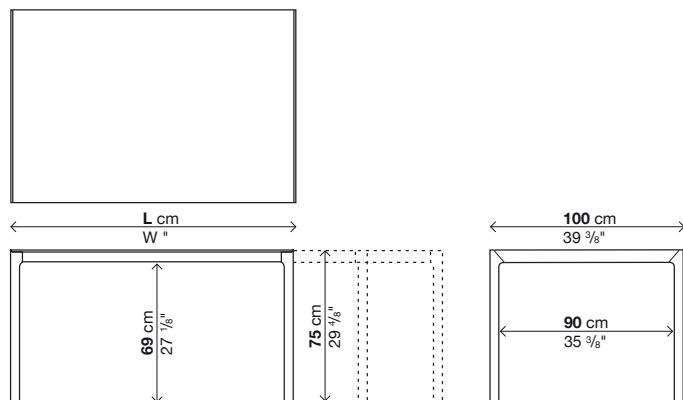
Codice	Lunghezza (L)	Prof.	Gambe	Piano	Prezzi EURO	colli	m ²	Kg
01MAK05*	166-213-260	100	verniciato	Alucompact	3	0,52	93	
				Pure-white				
				Fenix bordo nero				
				Fenix bordo colore				
01MAK09*	189-236-283	100	verniciato	Alucompact	3	0,57	100	
				Pure-white				
				Fenix bordo nero				
				Fenix bordo colore				
01MAK06*	209-256-303	100	verniciato	Alucompact	3	0,62	106	
				Pure-white				
				Fenix bordo nero				
				Fenix bordo colore				

(*) 3^a prolunga aggiuntiva

Codice	Lunghezza (L)	Prolunga	Prezzi EURO	colli	m ²	Kg
50SUS06A	33	Alucompact	1	0,035	6	
		Pure-white				
		Fenix bordo nero				
		Fenix bordo colore				

Optionals

Codice		Prezzi EURO	colli	m ²	Kg
02GTA02	 taglio gambe a misura	-	-	-	-



Maki Alucompact® / Pure-white / Fenix-NTM®

Fisso - Prof. 100 cm.

Finitura gambe:

Alluminio verniciato bianco (simile al Ral 9016)

Alluminio verniciato "Alucompact® grigio sabbia" (simile al Ral 9002)

Alluminio verniciato "Alucompact® grigio antracite" (simile al Ral 7015)

Alluminio verniciato "Fenix-NTM® grigio Londra" (simile al Ral Design0805005)

Alluminio verniciato "Fenix-NTM® grigio Bromo" (simile al Ral 7012)

Alluminio verniciato nero (simile al Ral 9004)

Finitura piano:

Laminato Alucompact® (bianco, grigio sabbia, grigio antracite, nero)

Laminato Pure-white bianco

Fenix-NTM® bordo nero (bianco Kos 0032, grigio Londra 0718, grigio Bromo 0724, nero Ingo 0720)

Fenix-NTM® bordo colore (bianco Kos 0032, grigio Londra 0718)

→ *Attenzione: le misure o le finiture contrassegnate con (!) hanno tempi di produzione più lunghi, circa 6 settimane dalla data dell'ordine.*

→ *I tavoli che in estensione superano i 250 cm presentano una leggera flessione del piano, che rientra negli standard di qualità accettati.*


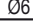
→ *I tavoli lunghezza 269 e 289 cm presentano una trafilata sottopiano di supporto centrale, pertanto eventuali fori passacavi non potranno essere posizionati centrati nella profondità ma lievemente spostati.*

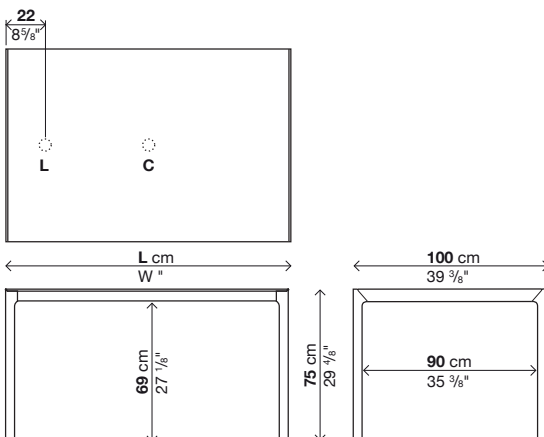
→ *Imballi rinforzati vedi pag. 205.*

Fisso (II)

Codice	Lunghezza (L)	Prof.	Gambe	Piano	Prezzi EURO	colli	m ²	Kg
01MAK65F	139	100	verniciato	Alucompact	1	0,39	58	
				Pure-white				
01MAK05F	166	100	verniciato	Alucompact	1	0,45	64	
				Pure-white				
				Fenix bordo nero				
				Fenix bordo colore				
01MAK07F	189	100	verniciato	Alucompact	1	0,5	70	
				Pure-white				
				Fenix bordo nero				
				Fenix bordo colore				
01MAK06F	209	100	verniciato	Alucompact	1	0,55	75	
				Pure-white				
				Fenix bordo nero				
				Fenix bordo colore				
01MAK08F	229	100	verniciato	Alucompact (!)	1	0,6	80	
				Pure-white (!)				
01MAK67F	249	100	verniciato	Alucompact (!)	1	0,65	85	
				Pure-white (!)				
01MAK69F	269	100	verniciato	Alucompact (!)	1	0,69	63	
				Pure-white (!)				
01MAK32F	289	100	verniciato	Alucompact (!)	1	0,74	98	
				Pure-white (!)				

Optionals

Codice			Prezzi EURO	colli	m ²	Kg
02GTA02		taglio gambe a misura	-	-	-	-
02FOR01		foro passacavi laterale o centrale	-	-	-	-
02RET03		rete cablaggio, materiale plastico	1	0,07	1	
02VER01		vertebra, metacrilato opalino	1	0,007	1,5	
02CPU03		porta CPU, metacrilato opalino	1	0,14	5,5	



Maki Alucompact® / Pure-white

Fisso - Prof. 124 cm.

Finitura gambe:

Alluminio verniciato bianco (simile al Ral 9016)

Alluminio verniciato "Alucompact® grigio sabbia" (simile al Ral 9002)

Alluminio verniciato "Alucompact® grigio antracite" (simile al Ral 7015)

Alluminio verniciato nero (simile al Ral 9004)

Finitura piano:

Laminato Alucompact® (bianco, grigio sabbia, grigio antracite, nero)

Laminato Pure-white bianco

→ *Attenzione: le misure o le finiture contrassegnate con (!) hanno tempi di produzione più lunghi, circa 6 settimane dalla data dell'ordine.*


→ *I tavoli che in estensione superano i 250 cm presentano una leggera flessione del piano, che rientra negli standard di qualità accettati.*

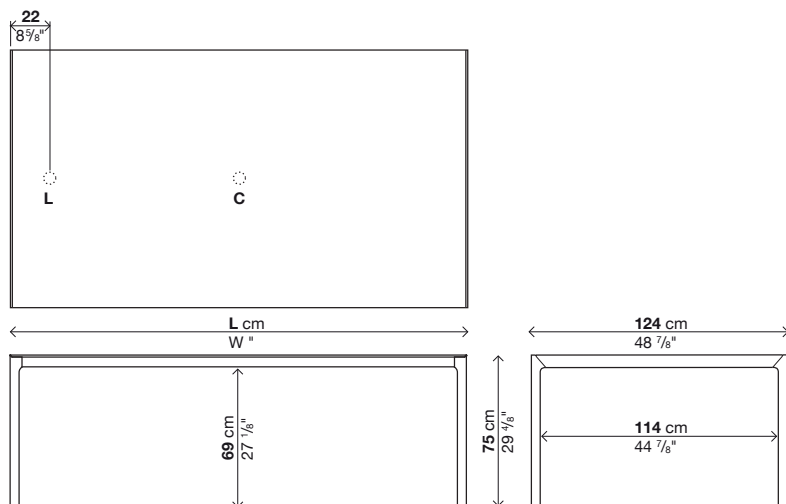
→ *Imballi rinforzati vedi pag. 205.*

Fisso (II)

Codice	Lunghezza (L)	Prof.	Gambe	Piano	Prezzi EURO	coll.	m ³	Kg
01MAK71F	209	124	verniciato	Alucompact (!)	1	0,66	94	
				Pure-white (!)				
01MAK73F	229	124	verniciato	Alucompact (!)	1	0,72	100	
				Pure-white (!)				
01MAK75F	277	124	verniciato	Alucompact (!)	1	0,85	116	
				Pure-white (!)				

Optionals

Codice			Prezzi EURO	coll.	m ³	Kg
02GTA02		taglio gambe a misura	-	-	-	-
02FOR01	Ø6	foro passacavi laterale o centrale	-	-	-	-
04RET04		rete cablaggio, materiale plastico	1	0,07	1	
02VER01		vertebra, metacrilato opalino	1	0,007	1,5	
02CPU04		porta CPU, metacrilato opalino	1	0,14	5,5	



Maki DEKTON® by Cosentino

Allungabile/Fisso - Prof. 90/100 cm.

Finitura gambe:

Alluminio verniciato bianco (simile al Ral 9016)

Alluminio verniciato "grigio Ventus"

Finitura piano:

DEKTON® bianco Zenith

DEKTON® grigio Ventus

DEKTON® Aura (marmo digitale)

Finitura prolunghe:

Alluminio verniciato bianco (simile al Ral 9016)

Alluminio verniciato "grigio Ventus"

→ *Attenzione: le misure o le finiture contrassegnate con (!) hanno tempi di produzione più lunghi, circa 6 settimane dalla data dell'ordine.*

→ *I tavoli che in estensione superano i 250 cm presentano una leggera flessione del piano, che rientra negli standard di qualità accettati.*

→ *Imballi rinforzati vedi pag. 205.*


Allungabile (▶)

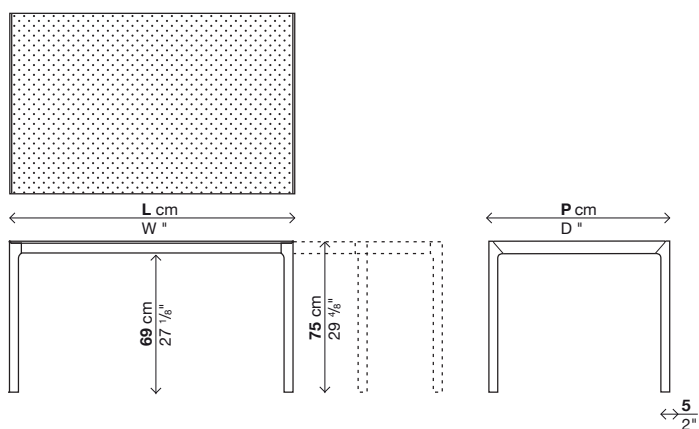
Codice	Lunghezza (L)	Prof.	Gambe	Piano	Prezzi EURO	colli	m ³	Kg
01MAK03	139-176-214	90	verniciato	DEKTON (!)	3	0,41	97	
01MAK04	166-203-241	90	verniciato	DEKTON (!)	3	0,5	110	
01MAK08	189-226-263	90	verniciato	DEKTON (!)	3	0,51	113	
01MAK05	166-203-240	100	verniciato	DEKTON (!)	3	0,52	116	
01MAK09	189-226-263	100	verniciato	DEKTON (!)	3	0,57	126	

Fisso (||)

Codice	Lunghezza (L)	Prof.	Gambe	Piano	Prezzi EURO	colli	m ³	Kg
01MAK03F	139	90	verniciato	DEKTON (!)	1	0,36	68	
01MAK04F	166	90	verniciato	DEKTON (!)	1	0,42	77	
01MAK53F	189	90	verniciato	DEKTON (!)	1	0,46	84	
01MAK05F	166	100	verniciato	DEKTON (!)	1	0,45	82	
01MAK07F	189	100	verniciato	DEKTON (!)	1	0,5	91	
01MAK08F	229	100	verniciato	DEKTON (!)	1	0,6	105	
01MAK69F	269	100	verniciato	DEKTON (!)	1	0,69	123	

Optionals

Codice	Prof		Prezzi EURO	colli	m ³	Kg
02GTA02		taglio gambe a misura	-	-	-	-
02RET01	80	rete cablaggio, materiale plastico	1	0,07	1	
02RET02	90	rete cablaggio, materiale plastico	1	0,07	1	
02RET03	100	rete cablaggio, materiale plastico	1	0,07	1	
02VER01		vertebra, metacrilato opalino	1	0,007	1,5	
02CPU01	80	porta CPU, metacrilato opalino	1	0,14	5,5	
02CPU02	90	porta CPU, metacrilato opalino	1	0,14	5,5	
02CPU03	100	porta CPU, metacrilato opalino	1	0,14	5,5	



Maki vetro

Allungabile - Prof. 80 cm.

Finitura gambe:

Alluminio verniciato bianco (simile al Ral 9016)

Alluminio verniciato nero (simile al Ral 9004)

Finitura piano:

Vetro lucido colori standard: extra white, grigio antracite, nero, titanio

Vetro lucido colori scala RAL/NCS a richiesta

Vetro opaco colori: extra white, grigio antracite, nero, titanio

Finitura prolunghe:

Laminato Alucompact® bianco

Laminato Alucompact® grigio sabbia

Laminato Alucompact® grigio antracite

Laminato Alucompact® nero

→ Nei tavoli con i codici contrassegnati con l'asterisco (*) c'è la possibilità di aggiungere la terza prolunga per aumentare ulteriormente l'allungo.

→ Attenzione: le misure o le finiture contrassegnate con (!) hanno tempi di produzione più lunghi, circa 6 settimane dalla data dell'ordine.

→ Attenzione: variazioni di tonalità rispetto al campione RAL/NCS scelto sono inevitabili e dovute alla rifrazione del colore attraverso lo spessore del vetro.
Non si effettuano colori RAL/NCS a richiesta nelle tonalità del bianco.

→ I tavoli che in estensione superano i 250 cm presentano una leggera flessione del piano, che rientra negli standard di qualità accettati.

→ Imballi rinforzati vedi pag. 205.

Allungabile (►)

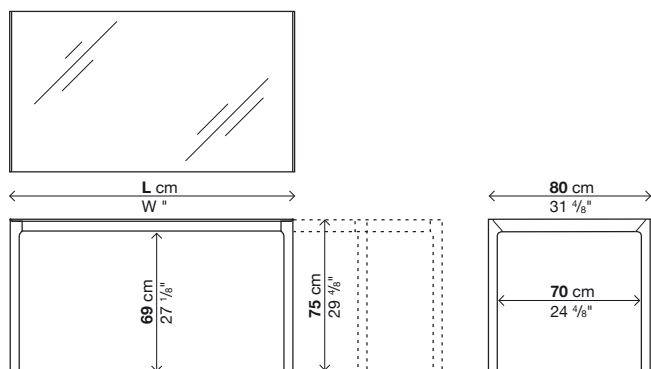
Codice	Lunghezza (L)	Prof.	Gambe	Piano	Prezzi EURO	colli	m ²	Kg
01MAK11	114-154-194	80	verniciato	lucido standard	3	0,32	72	
				lucido RAL/NCS (!)				
				vetro opaco				
01MAK12	139-179-219	80	verniciato	lucido standard	3	0,37	80	
				lucido RAL/NCS (!)				
				vetro opaco				
01MAK16*	166-206-246	80	verniciato	lucido standard	3	0,42	87	
				lucido RAL/NCS (!)				
				vetro opaco				

(*) 3^a prolunga aggiuntiva

Codice	Lunghezza (L)	Prolunga	Prezzi EURO	colli	m ²	Kg
50SUS05A	33	Alucompact		1	0,025	6

Optionals

Codice		Prezzi EURO	colli	m ²	Kg
02GTA02	 taglio gambe a misura		-	-	-



Maki vetro

Fisso - Prof. 80 cm.

Finitura gambe:

Alluminio verniciato bianco (simile al Ral 9016)

Alluminio verniciato nero (simile al Ral 9004)

Finitura piano:

Vetro lucido colori standard: extra white, grigio antracite, nero, titanio

Vetro lucido colori scala RAL/NCS a richiesta

Vetro opaco colori: extra white, grigio antracite, nero, titanio

→ *Attenzione: le misure o le finiture contrassegnate con (!) hanno tempi di produzione più lunghi, circa 6 settimane dalla data dell'ordine.*

→ *Attenzione: variazioni di tonalità rispetto al campione RAL/NCS scelto sono inevitabili e dovute alla rifrazione del colore attraverso lo spessore del vetro.*
Non si effettuano colori RAL/NCS a richiesta nelle tonalità del bianco.


→ *I tavoli che in estensione superano i 250 cm presentano una leggera flessione del piano, che rientra negli standard di qualità accettati.*

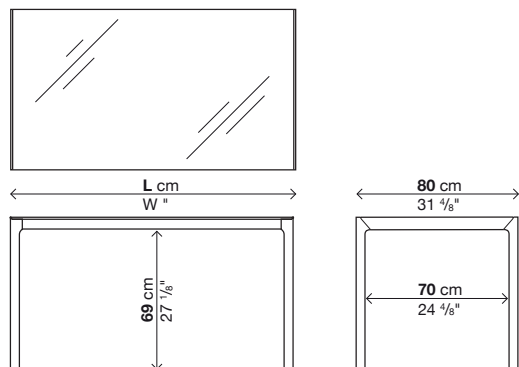
→ *Imballi rinforzati vedi pag. 205.*

Fisso (II)

Codice	Lunghezza (L)	Prof.	Gambe	Piano	Prezzi EURO	coll.	m ³	Kg
01MAK11F	114	80	verniciato	lucido standard	1	0,27	52	
				lucido RAL/NCS (!)				
				vetro opaco				
01MAK12F	139	80	verniciato	lucido standard	1	0,32	60	
				lucido RAL/NCS (!)				
				vetro opaco				
01MAK29F	166	80	verniciato	lucido standard	1	0,37	66	
				lucido RAL/NCS (!)				
				vetro opaco				
01MAK34F	189	80	verniciato	lucido standard	1	0,41	74	
				lucido RAL/NCS (!)				
				vetro opaco				
01MAK36F	209	80	verniciato	lucido standard	1	0,45	80	
				lucido RAL/NCS (!)				
				vetro opaco				
01MAK38F	229	80	verniciato	lucido standard (!)	1	0,49	85	
				lucido RAL/NCS (!)				
				vetro opaco (!)				
01MAK44F	249	80	verniciato	lucido standard (!)	1	0,53	91	
				lucido RAL/NCS (!)				
				vetro opaco (!)				
01MAK46F	269	80	verniciato	lucido standard (!)	1	0,57	96	
				lucido RAL/NCS (!)				
				vetro opaco (!)				
01MAK48F	289	80	verniciato	lucido standard (!)	1	0,61	102	
				lucido RAL/NCS (!)				
				vetro opaco (!)				

Optionals

Codice		Prezzi EURO	coll.	m ³	Kg
02GTA02		taglio gambe a misura	-	-	-
02RET01		rete cablaggio, materiale plastico	1	0,07	1
02VER01		vertebra, metacrilato opalino	1	0,007	1,5
02CPU01		porta CPU, metacrilato opalino	1	0,14	5,5



Maki vetro

Allungabile - Prof. 90 cm.

Finitura gambe:

Alluminio verniciato bianco (simile al Ral 9016)

Alluminio verniciato nero (simile al Ral 9004)

Finitura piano:

Vetro lucido colori standard: extra white, grigio antracite, nero, titanio

Vetro lucido colori scala RAL/NCS a richiesta

Vetro opaco colori: extra white, grigio antracite, nero, titanio

Finitura prolunghe:

Laminato Alucompact® bianco

Laminato Alucompact® grigio sabbia

Laminato Alucompact® grigio antracite

Laminato Alucompact® nero

→ Nei tavoli con i codici contrassegnati con l'asterisco (*) c'è la possibilità di aggiungere la terza prolunga per aumentare ulteriormente l'allungo.

→ Attenzione: le misure o le finiture contrassegnate con (!) hanno tempi di produzione più lunghi, circa 6 settimane dalla data dell'ordine.

→ Attenzione: variazioni di tonalità rispetto al campione RAL/NCS scelto sono inevitabili e dovute alla rifrazione del colore attraverso lo spessore del vetro.
Non si effettuano colori RAL/NCS a richiesta nelle tonalità del bianco.

→ I tavoli che in estensione superano i 250 cm presentano una leggera flessione del piano, che rientra negli standard di qualità accettati.

→ Imballi rinforzati vedi pag. 205.

Allungabile (►)

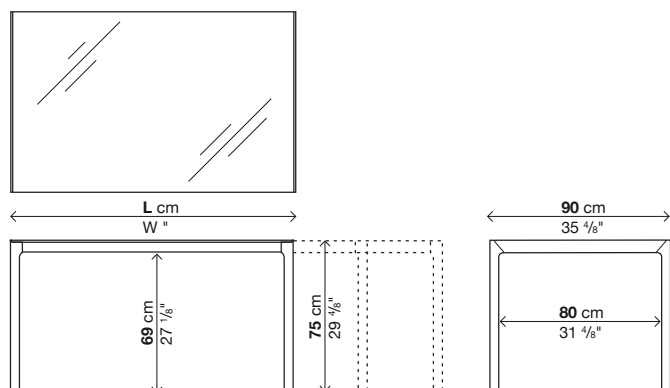
Codice	Lunghezza (L)	Prof.	Gambe	Piano	Prezzi EURO	colli	m ²	Kg
01MAK13	139-176-214	90	verniciato	lucido standard		3	0,41	89
				lucido RAL/NCS (!)				
				vetro opaco				
01MAK14	166-203-241-278 3ª prolunga di serie	90	verniciato	lucido standard		4	0,5	104
				lucido RAL/NCS (!)				
				vetro opaco				
01MAK18*	189-226-263	90	verniciato	lucido standard		3	0,51	106
				lucido RAL/NCS (!)				
				vetro opaco				
01MAK40*	209-246-283	90	verniciato	lucido standard		3	0,55	113
				lucido RAL/NCS (!)				
				vetro opaco				

(*) 3ª prolunga aggiuntiva

Codice	Lunghezza (L)	Prolunga	Prezzi EURO	colli	m ²	Kg
50SUS02A	37,5	Alucompact		1	0,025	6,5

Optionals

Codice		Prezzi EURO	colli	m ²	Kg
02GTA02	 taglio gambe a misura		-	-	-



Maki vetro

Fisso - Prof. 90 cm.

Finitura gambe:

Alluminio verniciato bianco (simile al Ral 9016)

Alluminio verniciato nero (simile al Ral 9004)

Finitura piano:

Vetro lucido colori standard: extra white, grigio antracite, nero, titanio

Vetro lucido colori scala RAL/NCS a richiesta

Vetro opaco colori: extra white, grigio antracite, nero, titanio

→ *Attenzione: le misure o le finiture contrassegnate con (!) hanno tempi di produzione più lunghi, circa 6 settimane dalla data dell'ordine.*

→ *Attenzione: variazioni di tonalità rispetto al campione RAL/NCS scelto sono inevitabili e dovute alla rifrazione del colore attraverso lo spessore del vetro.
Non si effettuano colori RAL/NCS a richiesta nelle tonalità del bianco.*


→ *I tavoli che in estensione superano i 250 cm presentano una leggera flessione del piano, che rientra negli standard di qualità accettati.*

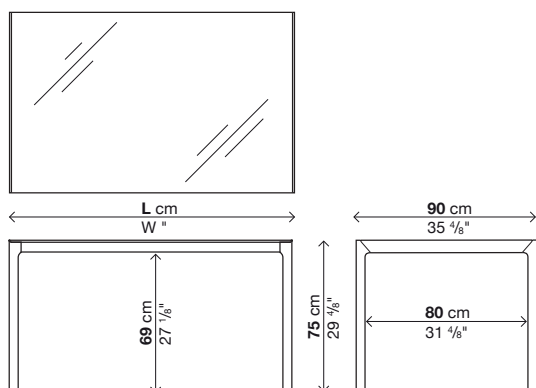
→ *Imballi rinforzati vedi pag. 205.*

Fisso (II)

Codice	Lunghezza (L)	Prof.	Gambe	Piano	Prezzi EURO	colli	m ²	Kg
01MAK52F	114	90	verniciato	lucido standard	1	0,3	59	
				lucido RAL/NCS (!)				
				vetro opaco				
01MAK13F	139	90	verniciato	lucido standard	1	0,36	66	
				lucido RAL/NCS (!)				
				vetro opaco				
01MAK14F	166	90	verniciato	lucido standard	1	0,42	75	
				lucido RAL/NCS (!)				
				vetro opaco				
01MAK54F	189	90	verniciato	lucido standard	1	0,46	82	
				lucido RAL/NCS (!)				
				vetro opaco				
01MAK40F	209	90	verniciato	lucido standard	1	0,5	88	
				lucido RAL/NCS (!)				
				vetro opaco				
01MAK56F	229	90	verniciato	lucido standard (!)	1	0,55	94	
				lucido RAL/NCS (!)				
				vetro opaco (!)				
01MAK58F	249	90	verniciato	lucido standard (!)	1	0,59	100	
				lucido RAL/NCS (!)				
				vetro opaco (!)				
01MAK60F	269	90	verniciato	lucido standard (!)	1	0,63	111	
				lucido RAL/NCS (!)				
				vetro opaco (!)				
01MAK62F	289	90	verniciato	lucido standard (!)	1	0,67	117	
				lucido RAL/NCS (!)				
				vetro opaco (!)				

Optionals

Codice		Prezzi EURO	colli	m ²	Kg
02GTA02		taglio gambe a misura	-	-	-
02RET02		rete cablaggio, materiale plastico	1	0,07	1
02VER01		vertebra, metacrilato opalino	1	0,007	1,5
02CPU02		porta CPU, metacrilato opalino	1	0,14	5,5



Maki vetro

Allungabile - Prof. 100 cm.

Finitura gambe:

Alluminio verniciato bianco (simile al Ral 9016)

Alluminio verniciato nero (simile al Ral 9004)

Finitura piano:

Vetro lucido colori standard: extra white, grigio antracite, nero, titanio

Vetro lucido colori scala RAL/NCS a richiesta

Vetro opaco colori: extra white, grigio antracite, nero, titanio

Finitura prolunghe:

Laminato Alucompact® bianco

Laminato Alucompact® grigio sabbia

Laminato Alucompact® grigio antracite

Laminato Alucompact® nero

→ Nei tavoli con i codici contrassegnati con l'asterisco (*) c'è la possibilità di aggiungere la terza prolunga per aumentare ulteriormente l'allungo.

→ Attenzione: le misure o le finiture contrassegnate con (!) hanno tempi di produzione più lunghi, circa 6 settimane dalla data dell'ordine.

→ Attenzione: variazioni di tonalità rispetto al campione RAL/NCS scelto sono inevitabili e dovute alla rifrazione del colore attraverso lo spessore del vetro.
Non si effettuano colori RAL/NCS a richiesta nelle tonalità del bianco.

→ I tavoli che in estensione superano i 250 cm presentano una leggera flessione del piano, che rientra negli standard di qualità accettati.

→ Imballi rinforzati vedi pag. 205.

Allungabile (►)

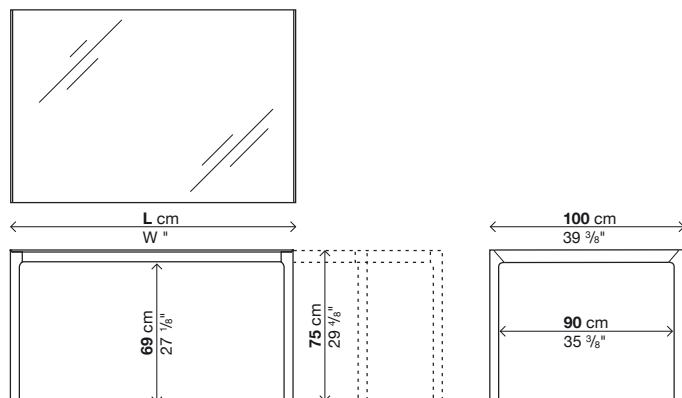
Codice	Lunghezza (L)	Prof.	Gambe	Piano	Prezzi EURO	colli	m ²	Kg
01MAK15*	166-213-260	100	verniciato	lucido standard	3	0,52	109	
				lucido RAL/NCS (!)				
				vetro opaco				
01MAK19*	189-236-283	100	verniciato	lucido standard	3	0,57	116	
				lucido RAL/NCS (!)				
				vetro opaco				
01MAK17*	209-256-303	100	verniciato	lucido standard	3	0,62	126	
				lucido RAL/NCS (!)				
				vetro opaco				

(*) 3ª prolunga aggiuntiva

Codice	Lunghezza (L)	Prolunga	Prezzi EURO	colli	m ²	Kg
50SUS06A	33	Alucompact		1	0,025	6

Optionals

Codice		Prezzi EURO	colli	m ²	Kg
02GTA02	 taglio gambe a misura	-	-	-	-



Maki vetro

Fisso - Prof. 100 cm.

Finitura gambe:

Alluminio verniciato bianco (simile al Ral 9016)

Alluminio verniciato nero (simile al Ral 9004)

Finitura piano:

Vetro lucido colori standard: extra white, grigio antracite, nero, titanio

Vetro lucido colori scala RAL/NCS a richiesta

Vetro opaco colori: extra white, grigio antracite, nero, titanio

→ *Attenzione: le misure o le finiture contrassegnate con (!) hanno tempi di produzione più lunghi, circa 6 settimane dalla data dell'ordine.*

→ *Attenzione: variazioni di tonalità rispetto al campione RAL/NCS scelto sono inevitabili e dovute alla rifrazione del colore attraverso lo spessore del vetro.*
Non si effettuano colori RAL/NCS a richiesta nelle tonalità del bianco.


→ *I tavoli che in estensione superano i 250 cm presentano una leggera flessione del piano, che rientra negli standard di qualità accettati.*

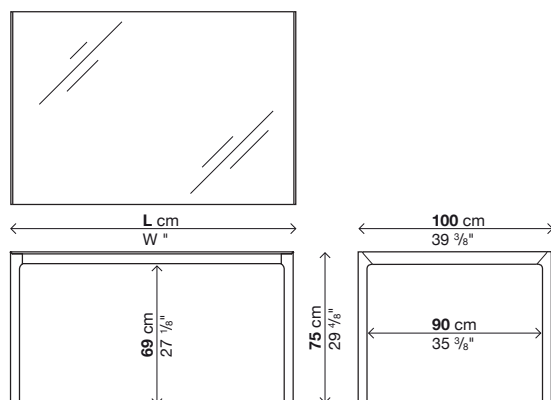
→ *Imballi rinforzati vedi pag. 205.*

Fisso (II)

Codice	Lunghezza (L)	Prof.	Gambe	Piano	Prezzi EURO	colli	m ²	Kg
01MAK66F	139	100	verniciato	lucido standard	1	0,39	71	
				lucido RAL/NCS (!)				
				vetro opaco				
01MAK15F	166	100	verniciato	lucido standard	1	0,45	80	
				lucido RAL/NCS (!)				
				vetro opaco				
01MAK18F	189	100	verniciato	lucido standard	1	0,5	88	
				lucido RAL/NCS (!)				
				vetro opaco				
01MAK17F	209	100	verniciato	lucido standard	1	0,55	94	
				lucido RAL/NCS (!)				
				vetro opaco				
01MAK19F	229	100	verniciato	lucido standard (!)	1	0,6	101	
				lucido RAL/NCS (!)				
				vetro opaco (!)				
01MAK68F	249	100	verniciato	lucido standard (!)	1	0,65	108	
				lucido RAL/NCS (!)				
				vetro opaco (!)				
01MAK70F	269	100	verniciato	lucido standard (!)	1	0,69	118	
				lucido RAL/NCS (!)				
				vetro opaco (!)				
01MAK42F	289	100	verniciato	lucido standard (!)	1	0,74	126	
				lucido RAL/NCS (!)				
				vetro opaco (!)				

Optionals

Codice		Prezzi EURO	colli	m ²	Kg
02GTA02		taglio gambe a misura	-	-	-
02RET03		rete cablaggio, materiale plastico	1	0,07	1
02VER01		vertebra, metacrilato opalino	1	0,007	1,5
02CPU03		porta CPU, metacrilato opalino	1	0,14	5,5



Maki vetro

Fisso - Prof. 124 cm.

Finitura gambe:

Alluminio verniciato bianco (simile al Ral 9016)

Alluminio verniciato nero (simile al Ral 9004)

Finitura piano:

Vetro lucido colori standard: extra white, grigio antracite, nero, titanio

Vetro lucido colori scala RAL/NCS a richiesta

Vetro opaco colori: extra white, grigio antracite, nero, titanio

→ *Attenzione: le misure o le finiture contrassegnate con (!) hanno tempi di produzione più lunghi, circa 6 settimane dalla data dell'ordine.*

→ *Attenzione: variazioni di tonalità rispetto al campione RAL/NCS scelto sono inevitabili e dovute alla rifrazione del colore attraverso lo spessore del vetro.*
Non si effettuano colori RAL/NCS a richiesta nelle tonalità del bianco.


→ *I tavoli che in estensione superano i 250 cm presentano una leggera flessione del piano, che rientra negli standard di qualità accettati.*

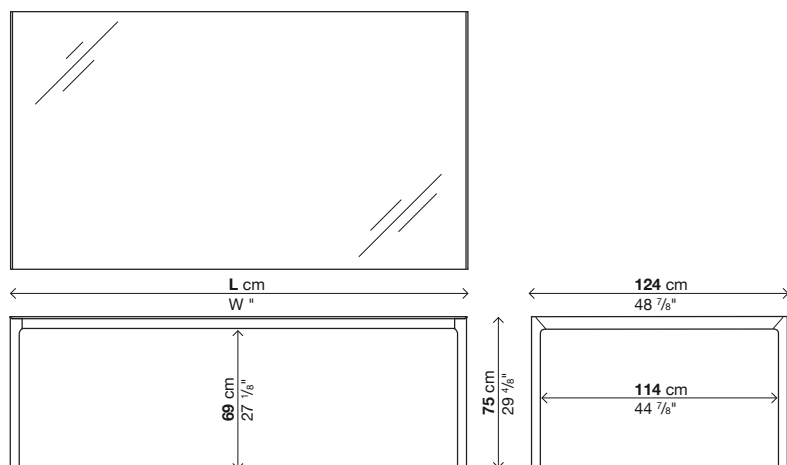
→ *Imballi rinforzati vedi pag. 205.*

Fisso (II)

Codice	Lunghezza (L)	Prof.	Gambe	Piano	Prezzi EURO	colli	m ³	Kg
01MAK72F	209	124	verniciato	lucido standard (!)	1	0,66	117	
				lucido RAL/NCS (!)				
				vetro opaco (!)				
01MAK74F	229	124	verniciato	lucido standard (!)	1	0,72	126	
				lucido RAL/NCS (!)				
				vetro opaco (!)				
01MAK76F	277	124	verniciato	lucido standard (!)	1	0,85	148	
				lucido RAL/NCS (!)				
				vetro opaco (!)				

Optionals

Codice			Prezzi EURO	colli	m ³	Kg
02GTA02		taglio gambe a misura	-	-	-	-
04RET04		rete cablaggio, materiale plastico	1	0,07	1	
02VER01		vertebra, metacrilato opalino	1	0,007	1,5	
02CPU04		porta CPU, metacrilato opalino	1	0,14	5,5	



Maki

Dimensions

Prof. 80 cm
Depth 314/8"

80	114 cm 447/8"	→ Alucompact® → Pure-white → Verre
	114/154/194 cm 447/8/605/8/763/8"	→ Alucompact® → Pure-white → Verre
	139 cm 546/8"	→ Alucompact® → Pure-white → Verre
	139/179/219 cm 546/8/704/8/862/8"	→ Alucompact® → Pure-white → Verre
	166 cm 653/8"	→ Alucompact® → Pure-white → Verre
	166/206/246 cm 653/8/811/8/967/8"	→ Alucompact® → Pure-white → Verre *
	189 cm 743/8"	→ Alucompact® → Pure-white → Verre
	209 cm 822/8"	→ Alucompact® → Pure-white → Verre
	229 cm 901/8"	→ Alucompact® → Pure-white → Verre
	249 cm 98"	→ Alucompact® → Pure-white → Verre
	269 cm 1057/8"	→ Alucompact® → Pure-white → Verre
	289 cm 1136/8"	→ Alucompact® → Pure-white → Verre

Prof. 90 cm
Depth 353/8"

90	114 cm 447/8"	→ Alucompact® → Pure-white → Verre
	139 cm 546/8"	→ Alucompact® → Pure-white → Fenix-NTM® → Verre → DEKTON®
	139/176/214 cm 546/8/692/8/842/8"	→ Alucompact® → Pure-white → Fenix-NTM® → Verre → DEKTON®
	166 cm 653/8"	→ Alucompact® → Pure-white → Fenix-NTM® → Verre → DEKTON®
	166/203/241/278 cm 653/8/797/8/947/8/1094/8"	→ Alucompact® → Pure-white → Fenix-NTM® → Verre
	166/203/241 cm 653/8/797/8/947/8"	→ DEKTON®
	189 cm 743/8"	→ Alucompact® → Pure-white → Fenix-NTM® → Verre → DEKTON®
	189/226/263 cm 743/8/89/1034/8"	→ Alucompact® → Pure-white → Fenix-NTM® → Verre *
	189/226/263 cm 743/8/89/1034/8"	→ DEKTON®
	209 cm 822/8"	→ Alucompact® → Pure-white → Fenix-NTM® → Verre
	209/246/283 cm 822/8/967/8/1113/8"	→ Alucompact® → Pure-white → Fenix-NTM® → Verre *
	229 cm 901/8"	→ Alucompact® → Pure-white → Verre
	249 cm 98"	→ Alucompact® → Pure-white → Verre
	269 cm 1057/8"	→ Alucompact® → Pure-white → Verre
	289 cm 1136/8"	→ Alucompact® → Pure-white → Verre

Prof. 100 cm
Depth 393/8"

100	139 cm 546/8"	→ Alucompact® → Pure-white → Verre
	166 cm 653/8"	→ Alucompact® → Pure-white → Fenix-NTM® → Verre → DEKTON®
	166/213/260 cm 653/8/837/8/1023/8"	→ Alucompact® → Pure-white → Fenix-NTM® → Verre *
	166/203/240 cm 653/8/797/8/944/8"	→ DEKTON®
	189 cm 743/8"	→ Alucompact® → Pure-white → Fenix-NTM® → Verre → DEKTON®
	189/236/283 cm 743/8/927/8/1113/8"	→ Alucompact® → Pure-white → Fenix-NTM® → Verre *
	189/226/263 cm 743/8/89/1034/8"	→ DEKTON®
	209 cm 822/8"	→ Alucompact® → Pure-white → Fenix-NTM® → Verre
	209/256/303 cm 822/8/1006/8/1192/8"	→ Alucompact® → Pure-white → Fenix-NTM® → Verre *
	229 cm 901/8"	→ Alucompact® → Pure-white → Verre → DEKTON®
	249 cm 98"	→ Alucompact® → Pure-white → Verre
	269 cm 1057/8"	→ Alucompact® → Pure-white → Verre → DEKTON®
	289 cm 1136/8"	→ Alucompact® → Pure-white → Verre

Plateaux

Prof. 124 cm
Depth 48 7/8"

124

209 cm
82 2/8"

→ Alucompact®
→ Pure-white
→ Verre

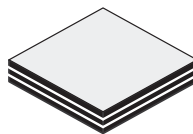
229 cm
90 1/8"

→ Alucompact®
→ Pure-white
→ Verre

277 cm
109"

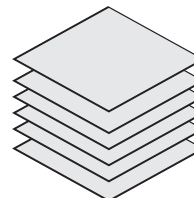
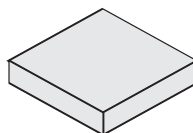
→ Alucompact®
→ Pure-white
→ Verre

Alucompact® Ép. 10 mm



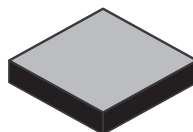
→ laminé
→ core (papier Kraft)
→ aluminium
→ core (papier Kraft)
→ aluminium
→ core (papier Kraft)
→ laminé

Pure-white Ép. 10 mm



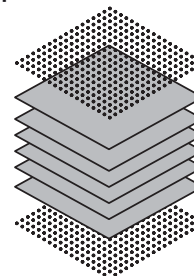
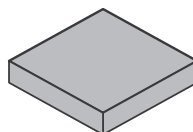
→ laminé
→ core blanc
→ laminé

Fenix-NTM® chant noir Ép. 10 mm



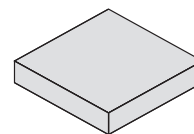
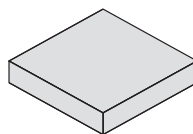
→ surface réalisée grâce à la nanotechnologie
→ papier décor
→ core (papier Kraft)
→ papier décor
→ surface réalisée grâce à la nanotechnologie

Fenix-NTM® chant coloré Ép. 10 mm



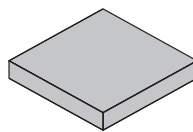
→ surface réalisée grâce à la nanotechnologie
→ papier décor
→ papier décor
→ papier décor
→ surface réalisée grâce à la nanotechnologie

Verre Ép. 10 mm



→ verre
→ laquage

DEKTON® by Cosentino Ép. 8 mm



Dekton est un mélange sophistiqué de matières premières utilisées pour la fabrication du verre, de céramique de dernière génération et de surfaces en quartz de très haute qualité

Maki Alucompact® / Pure-white

Extensible - Prof. 80 cm.

Finition piètement:

Aluminium laqué blanc (semblable au Ral 9016)

Aluminium laqué "Alucompact® gris sabbia" (semblable au Ral 9002)

Aluminium laqué "Alucompact® gris anthracite" (semblable au Ral 7015)

Aluminium laqué noir (semblable au Ral 9004)

Finition du plateau/rallonges:

Stratifié Alucompact® (blanc, gris sabbia, gris anthracite, noir)

Laminé Pure-white blanc

→ Pour les modèles de table marqués d'un astérisque (*), il est possible d'ajouter une troisième rallonge pour augmenter davantage l'extension.

→ Attention: les dimensions et les finitions marquées par un point d'exclamation (!) ont des délais de production plus longs (environ 6 semaines à partir de la date de la commande).

→ Emballages renforcés voir page 205.

Extensible (►)

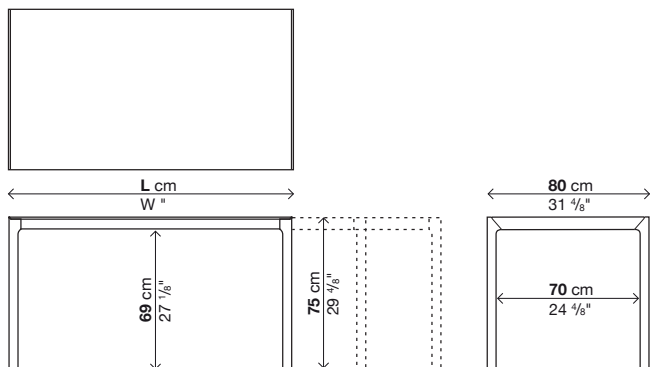
Code	Longueur (L)	Prof.	Pieds	Plateau	Prix en EURO	Coûts	m ³	Kg
01MAK01	114-154-194	80	laqué	Alucompact	3	0,32	63	
				Pure-white (!)				
01MAK02	139-179-219	80	laqué	Alucompact	3	0,37	69	
				Pure-white (!)				
01MAK07*	166-206-246	80	laqué	Alucompact	3	0,42	75	
				Pure-white (!)				

(*) 3ème rallonge supplémentaire

Code	Longueur (L)	Rallonge	Prix en EURO	Coûts	m ³	Kg
50SUS05A	33	Alucompact	1	0,025	6	
		Pure-white				

Optionals

Code		Prix en EURO	Coûts	m ³	Kg
02GTA02	 coupe des pieds sur mesure	-	-	-	-



Maki Alucompact® / Pure-white

Fixe - Prof. 80 cm.

Finition piètement:

Aluminium laqué blanc (semblable au Ral 9016)

Aluminium laqué "Alucompact® gris sabbia" (semblable au Ral 9002)

Aluminium laqué "Alucompact® gris anthracite" (semblable au Ral 7015)

Aluminium laqué noir (semblable au Ral 9004)

Finition du plateau:

Stratifié Alucompact® (blanc, gris sabbia, gris anthracite, noir)

Laminé Pure-white blanc

→ Attention: les dimensions et les finitions marquées par un point d'exclamation (!) ont des délais de production plus longs (environ 6 semaines à partir de la date de la commande).



→ Les tables qui une fois allongées font plus de 250 cm présentent une légère flexion du plateau qui respecte les standards de qualité acceptés.

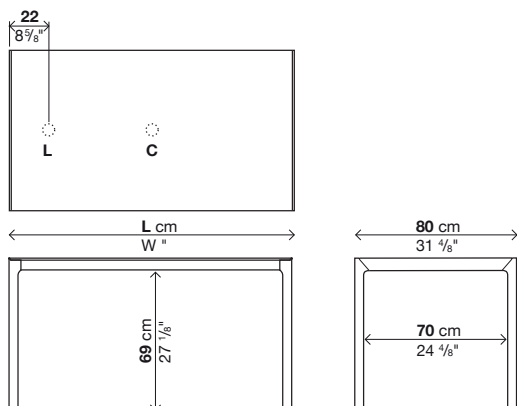
→ Emballages renforcés voir page 205.

Fixe (II)

Code	Longueur (L)	Prof.	Pieds	Plateau	Prix en EURO	Coûts	m ²	Kg
01MAK01F	114	80	laqué	Alucompact		1	0,27	43
				Pure-white				
01MAK02F	139	80	laqué	Alucompact		1	0,32	49
				Pure-white				
01MAK28F	166	80	laqué	Alucompact (!)		1	0,37	55
				Pure-white (!)				
01MAK33F	189	80	laqué	Alucompact (!)		1	0,41	60
				Pure-white (!)				
01MAK35F	209	80	laqué	Alucompact (!)		1	0,45	64
				Pure-white (!)				
01MAK37F	229	80	laqué	Alucompact (!)		1	0,49	68
				Pure-white (!)				
01MAK43F	249	80	laqué	Alucompact (!)		1	0,53	73
				Pure-white (!)				
01MAK45F	269	80	laqué	Alucompact (!)		1	0,57	76
				Pure-white (!)				
01MAK47F	289	80	laqué	Alucompact (!)		1	0,61	80
				Pure-white (!)				

Optionals

Code			Prix en EURO	Coûts	m ²	Kg
02GTA02		coupe des pieds sur mesure	-	-	-	-
02FOR01		passer-câbles latérale ou central	-	-	-	-
02RET01		câblage, matière plastique	1	0,07	1	
02VER01		vertèbre, méthacrylate opaline	1	0,007	1,5	
02CPU01		support CPU, méthacrylate opaline	1	0,14	5,5	



Maki Alucompact® / Pure-white / Fenix-NTM®

Extensible - Prof. 90 cm.

Finition piètement:

Aluminium laqué blanc (semblable au Ral 9016)

Aluminium laqué "Alucompact® gris sabbia" (semblable au Ral 9002)

Aluminium laqué "Alucompact® gris anthracite" (semblable au Ral 7015)

Aluminium laqué "Fenix-NTM® gris Londra" (semblable au Ral Design0805005)

Aluminium laqué "Fenix-NTM® gris Bromo" (semblable au Ral 7012)

Aluminium laqué noir (semblable au Ral 9004)

Finition du plateau/rallonges:

Stratifié Alucompact® (blanc, gris sabbia, gris anthracite, noir)

Laminé Pure-white blanc

Fenix-NTM® chant noir (blanc Kos 0032, gris Londra 0718, gris Bromo 0724, noir Ingo 0720)

Fenix-NTM® chant coloré (blanc Kos 0032, gris Londra 0718)

→ Pour les modèles de table marqués d'un astérisque (*), il est possible d'ajouter une troisième rallonge pour augmenter davantage l'extension.

→ Attention: les dimensions et les finitions marquées par un point d'exclamation (!) ont des délais de production plus longs (environ 6 semaines à partir de la date de la commande).

→ Les tables qui une fois allongées font plus de 250 cm présentent une légère flexion du plateau qui respecte les standards de qualité acceptés.

→ Emballages renforcés voir page 205.


Extensible (►)

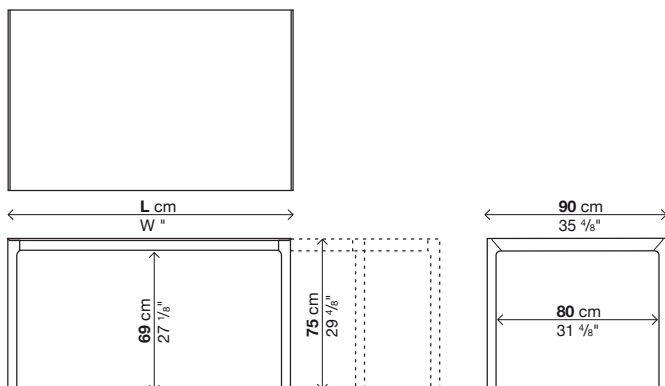
Code	Longueur (L)	Prof.	Pieds	Plateau	Prix en EURO	Coils	m ²	Kg
01MAK03	139-176-214	90	laqué	Alucompact	3	0,41	79	
				Pure-white				
				Fenix chant noir				
				Fenix chant coloré				
01MAK04	166-203-241-278 <small>3ème extension compris standard</small>	90	laqué	Alucompact	4	0,5	89	
				Pure-white				
				Fenix chant noir				
				Fenix chant coloré				
01MAK08*	189-226-263	90	laqué	Alucompact	3	0,51	90	
				Pure-white				
				Fenix chant noir				
				Fenix chant coloré				
01MAK30*	209-246-283	90	laqué	Alucompact (!)	3	0,55	96	
				Pure-white (!)				
				Fenix chant noir (!)				
				Fenix chant coloré (!)				

(*) 3ème rallonge supplémentaire

Code	Longueur (L)	Rallonge	Prix en EURO	Coils	m ²	Kg
50SUS02A	37,5	Alucompact	1	0,025	6,5	
		Pure-white				
		Fenix chant noir				
		Fenix chant coloré				

Optionals

Code			Prix en EURO	Coils	m ²	Kg
02GTA02		coupe des pieds sur mesure	-	-	-	-



Maki Alucompact® / Pure-white / Fenix-NTM®

Fixe - Prof. 90 cm.

Finition piètement:

Aluminium laqué blanc (semblable au Ral 9016)

Aluminium laqué "Alucompact® gris sabbia" (semblable au Ral 9002)

Aluminium laqué "Alucompact® gris anthracite" (semblable au Ral 7015)

Aluminium laqué "Fenix-NTM® gris Londra" (semblable au Ral Design0805005)

Aluminium laqué "Fenix-NTM® gris Bromo" (semblable au Ral 7012)

Aluminium laqué noir (semblable au Ral 9004)

Finition du plateau:

Stratifié Alucompact® (blanc, gris sabbia, gris anthracite, noir)

Laminé Pure-white blanc

Fenix-NTM® chant noir (blanc Kos 0032, gris Londra 0718, gris Bromo 0724, noir Ingo 0720)

Fenix-NTM® chant coloré (blanc Kos 0032, gris Londra 0718)

→ Attention: les dimensions et les finitions marquées par un point d'exclamation (!) ont des délais de production plus longs (environ 6 semaines à partir de la date de la commande).

→ Les tables qui une fois allongées font plus de 250 cm présentent une légère flexion du plateau qui respecte les standards de qualité acceptés.


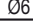
→ Les tables longueur 269 et 289 cm présentent au centre une traverse sous-plateau de support, conséquence: les ouvertures passe-câbles ne pourront pas être centrées exactement par rapport à la profondeur de la table mais il faudra donc les déplacer légèrement.

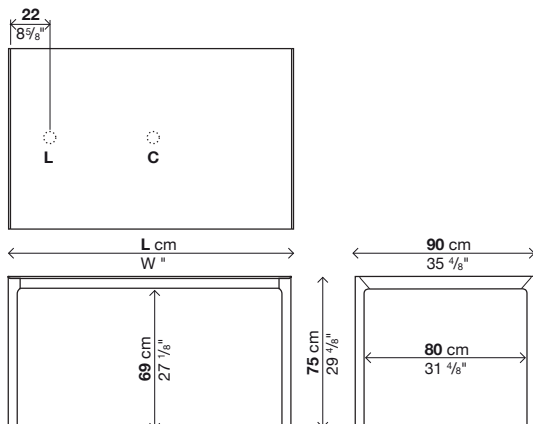
→ Emballages renforcés voir page 205.

Fixe (II)

Code	Longueur (L)	Prof.	Pieds	Plateau	Prix en EURO	Coûts	m ²	Kg
01MAK51F	114	90	laqué	Alucompact	1	0,3	49	
				Pure-white				
01MAK03F	139	90	laqué	Alucompact	1	0,36	54	
				Pure-white				
				Fenix chant noir				
				Fenix chant coloré				
01MAK04F	166	90	laqué	Alucompact	1	0,42	60	
				Pure-white				
				Fenix chant noir				
				Fenix chant coloré				
01MAK53F	189	90	laqué	Alucompact	1	0,46	65	
				Pure-white				
				Fenix chant noir				
				Fenix chant coloré				
01MAK30F	209	90	laqué	Alucompact	1	0,5	70	
				Pure-white				
				Fenix chant noir				
				Fenix chant coloré				
01MAK55F	229	90	laqué	Alucompact (!)	1	0,55	74	
				Pure-white (!)				
01MAK57F	249	90	laqué	Alucompact (!)	1	0,59	79	
				Pure-white (!)				
01MAK59F	269	90	laqué	Alucompact (!)	1	0,63	87	
				Pure-white (!)				
01MAK61F	289	90	laqué	Alucompact (!)	1	0,67	93	
				Pure-white (!)				

Optionals

Code			Prix en EURO	Coûts	m ²	Kg
02GTA02		coupe des pieds sur mesure	-	-	-	-
02FOR01		passer-câbles latérale ou central	-	-	-	-
02RET02		câblage, matière plastique	1	0,07	1	
02VER01		vertèbre, méthacrylate opaline	1	0,007	1,5	
02CPU02		support CPU, méthacrylate opaline	1	0,14	5,5	



Maki Alucompact® / Pure-white / Fenix-NTM®

Extensible - Prof. 100 cm.

Finition piètement:

Aluminium laqué blanc (semblable au Ral 9016)

Aluminium laqué "Alucompact® gris sabbia" (semblable au Ral 9002)

Aluminium laqué "Alucompact® gris anthracite" (semblable au Ral 7015)

Aluminium laqué "Fenix-NTM® gris Londra" (semblable au Ral Design0805005)

Aluminium laqué "Fenix-NTM® gris Bromo" (semblable au Ral 7012)

Aluminium laqué noir (semblable au Ral 9004)

Finition du plateau/rallonges:

Stratifié Alucompact® (blanc, gris sabbia, gris anthracite, noir)

Laminé Pure-white blanc

Fenix-NTM® chant noir (blanc Kos 0032, gris Londra 0718, gris Bromo 0724, noir Ingo 0720)

Fenix-NTM® chant coloré (blanc Kos 0032, gris Londra 0718)

→ Pour les modèles de table marqués d'un astérisque (*), il est possible d'ajouter une troisième rallonge pour augmenter davantage l'extension.

→ Les tables qui une fois allongées font plus de 250 cm présentent une légère flexion du plateau qui respecte les standards de qualité acceptés.

→ Emballages renforcés voir page 205.


Extensible (►)

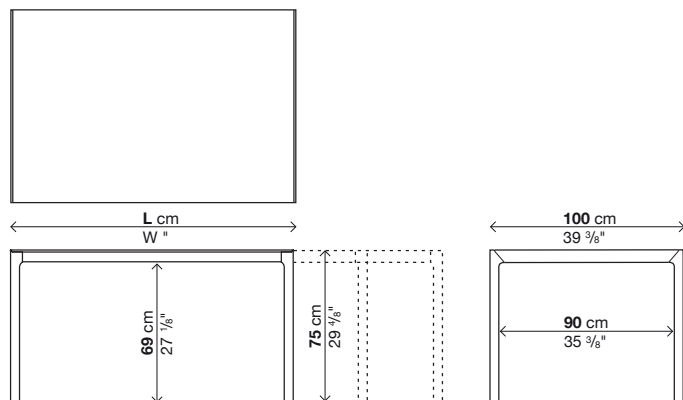
Code	Longueur (L)	Prof.	Pieds	Plateau	Prix en EURO	Coûts	m ²	Kg
01MAK05*	166-213-260	100	laqué	Alucompact	3	0,52	93	
				Pure-white				
				Fenix chant noir				
				Fenix chant coloré				
01MAK09*	189-236-283	100	laqué	Alucompact	3	0,57	100	
				Pure-white				
				Fenix chant noir				
				Fenix chant coloré				
01MAK06*	209-256-303	100	laqué	Alucompact	3	0,62	106	
				Pure-white				
				Fenix chant noir				
				Fenix chant coloré				

(*) 3ème rallonge supplémentaire

Code	Longueur (L)	Rallonge	Prix en EURO	Coûts	m ²	Kg
50SUS06A	33	Alucompact	1	0,035	6	
		Pure-white				
		Fenix chant noir				
		Fenix chant coloré				

Optionals

Code			Prix en EURO	Coûts	m ²	Kg
02GTA02		coupe des pieds sur mesure	-	-	-	-



Maki Alucompact® / Pure-white / Fenix-NTM®

Fixe - Prof. 100 cm.

Finition piètement:

Aluminium laqué blanc (semblable au Ral 9016)

Aluminium laqué "Alucompact® gris sabbia" (semblable au Ral 9002)

Aluminium laqué "Alucompact® gris anthracite" (semblable au Ral 7015)

Aluminium laqué "Fenix-NTM® gris Londra" (semblable au Ral Design0805005)

Aluminium laqué "Fenix-NTM® gris Bromo" (semblable au Ral 7012)

Aluminium laqué noir (semblable au Ral 9004)

Finition du plateau:

Stratifié Alucompact® (blanc, gris sabbia, gris anthracite, noir)

Laminé Pure-white blanc

Fenix-NTM® chant noir (blanc Kos 0032, gris Londra 0718, gris Bromo 0724, noir Ingo 0720)

Fenix-NTM® chant coloré (blanc Kos 0032, gris Londra 0718)

→ Attention: les dimensions et les finitions marquées par un point d'exclamation (!) ont des délais de production plus longs (environ 6 semaines à partir de la date de la commande).

→ Les tables qui une fois allongées font plus de 250 cm présentent une légère flexion du plateau qui respecte les standards de qualité acceptés.



→ Les tables longueur 269 et 289 cm présentent au centre une traverse sous-plateau de support, conséquence: les ouvertures passe-câbles ne pourront pas être centrées exactement par rapport à la profondeur de la table mais il faudra donc les déplacer légèrement.

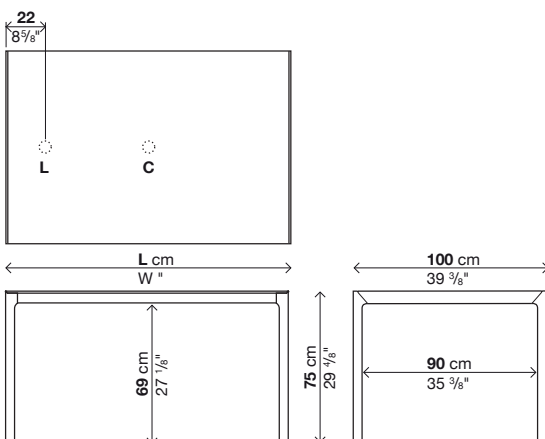
→ Emballages renforcés voir page 205.

Fixe (II)

Code	Longueur (L)	Prof.	Pieds	Plateau	Prix en EURO	Coûts	m ²	Kg
01MAK65F	139	100	laqué	Alucompact	1	0,39	58	
				Pure-white				
01MAK05F	166	100	laqué	Alucompact	1	0,45	64	
				Pure-white				
				Fenix chant noir				
				Fenix chant coloré				
01MAK07F	189	100	laqué	Alucompact	1	0,5	70	
				Pure-white				
				Fenix chant noir				
				Fenix chant coloré				
01MAK06F	209	100	laqué	Alucompact	1	0,55	75	
				Pure-white				
				Fenix chant noir				
				Fenix chant coloré				
01MAK08F	229	100	laqué	Alucompact (!)	1	0,6	80	
				Pure-white (!)				
01MAK67F	249	100	laqué	Alucompact (!)	1	0,65	85	
				Pure-white (!)				
01MAK69F	269	100	laqué	Alucompact (!)	1	0,69	63	
				Pure-white (!)				
01MAK32F	289	100	laqué	Alucompact (!)	1	0,74	98	
				Pure-white (!)				

Optionals

Code			Prix en EURO	Coûts	m ²	Kg
02GTA02		coupe des pieds sur mesure	-	-	-	-
02FOR01		passer-câbles latérale ou central	-	-	-	-
02RET03		câblage, matière plastique	1	0,07	1	
02VER01		vertèbre, méthacrylate opaline	1	0,007	1,5	
02CPU03		support CPU, méthacrylate opaline	1	0,14	5,5	



Maki Alucompact® / Pure-white

Fixe - Prof. 124 cm.

Finition piètement:

Aluminium laqué blanc (semblable au Ral 9016)

Aluminium laqué "Alucompact® gris sabbia" (semblable au Ral 9002)

Aluminium laqué "Alucompact® gris anthracite" (semblable au Ral 7015)

Aluminium laqué noir (semblable au Ral 9004)

Finition du plateau:

Stratifié Alucompact® (blanc, gris sabbia, gris anthracite, noir)

Laminé Pure-white blanc

→ Attention: les dimensions et les finitions marquées par un point d'exclamation (!) ont des délais de production plus longs (environ 6 semaines à partir de la date de la commande).


→ Les tables qui une fois allongées font plus de 250 cm présentent une légère flexion du plateau qui respecte les standards de qualité acceptés.

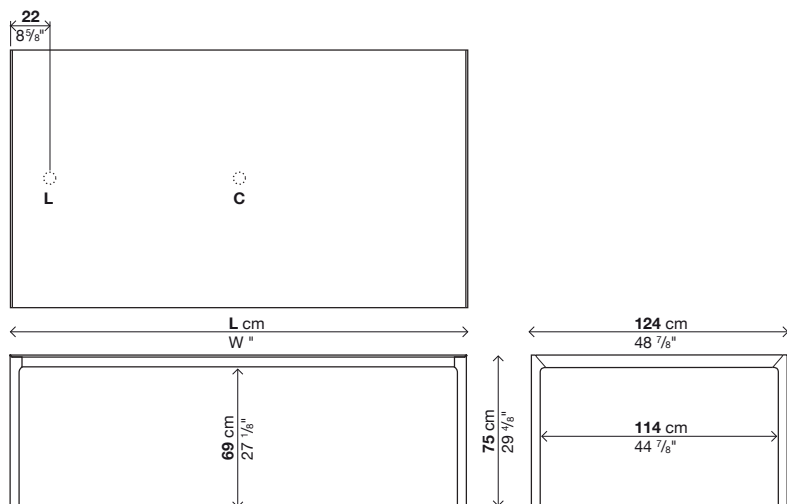
→ Emballages renforcés voir page 205.

Fixe (II)

Code	Longueur (L)	Prof.	Pieds	Plateau	Prix en EURO	Coûts	m ³	Kg
01MAK71F	209	124	laqué	Alucompact (!)	1	0,66	94	
				Pure-white (!)				
01MAK73F	229	124	laqué	Alucompact (!)	1	0,72	100	
				Pure-white (!)				
01MAK75F	277	124	laqué	Alucompact (!)	1	0,85	116	
				Pure-white (!)				

Optionals

Code			Prix en EURO	Coûts	m ³	Kg
02GTA02		coupe des pieds sur mesure	-	-	-	-
02FOR01	Ø6	passer-câbles latérale ou central	-	-	-	-
04RET04		câblage, matière plastique	1	0,07	1	
02VER01		vertèbre, méthacrylate opaline	1	0,007	1,5	
02CPU04		support CPU, méthacrylate opaline	1	0,14	5,5	



Maki DEKTON® by Cosentino

Extensible/Fixe - Prof. 90/100 cm.

Finition piètement:

Aluminium laqué blanc (semblable au Ral 9016)

Aluminium laqué "gris Ventus"

Finition du plateau:

DEKTON® blanc Zenith

DEKTON® gris Ventus

DEKTON® Aura (effet marbre)

Finition des rallonges:

Aluminium laqué blanc (semblable au Ral 9016)

Aluminium laqué "gris Ventus"

→ Attention: les dimensions et les finitions marquées par un point d'exclamation (!) ont des délais de production plus longs (environ 6 semaines à partir de la date de la commande).

→ Les tables qui une fois allongées font plus de 250 cm présentent une légère flexion du plateau qui respecte les standards de qualité acceptés.

→ Emballages renforcés voir page 205.


Extensible (►)

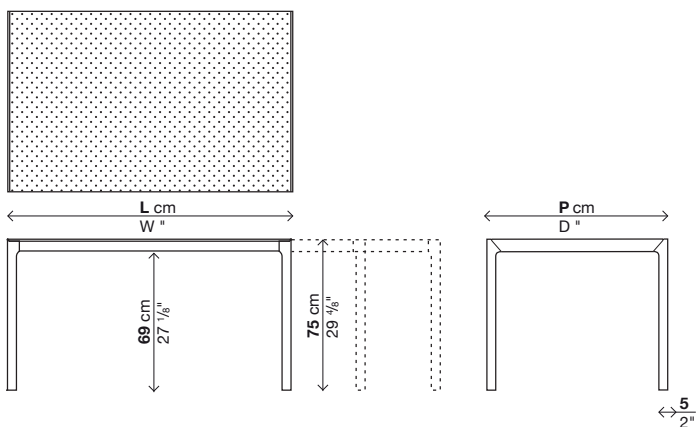
Code	Longueur (L)	Prof.	Pieds	Plateau	Prix en EURO	Coûts	m ²	Kg
01MAK03	139-176-214	90	laqué	DEKTON (!)	3	0,41	97	
01MAK04	166-203-241	90	laqué	DEKTON (!)	3	0,5	110	
01MAK08	189-226-263	90	laqué	DEKTON (!)	3	0,51	113	
01MAK05	166-203-240	100	laqué	DEKTON (!)	3	0,52	116	
01MAK09	189-226-263	100	laqué	DEKTON (!)	3	0,57	126	

Fixe (II)

Code	Longueur (L)	Prof.	Pieds	Plateau	Prix en EURO	Coûts	m ²	Kg
01MAK03F	139	90	laqué	DEKTON (!)	1	0,36	68	
01MAK04F	166	90	laqué	DEKTON (!)	1	0,42	77	
01MAK53F	189	90	laqué	DEKTON (!)	1	0,46	84	
01MAK05F	166	100	laqué	DEKTON (!)	1	0,45	82	
01MAK07F	189	100	laqué	DEKTON (!)	1	0,5	91	
01MAK08F	229	100	laqué	DEKTON (!)	1	0,6	105	
01MAK69F	269	100	laqué	DEKTON (!)	1	0,69	123	

Optionals

Code	Prof.		Prix en EURO	Coûts	m ²	Kg
02GTA02		coupe des pieds sur mesure	-	-	-	-
02RET01	80	câblage, matière plastique	1	0,07	1	
02RET02	90	câblage, matière plastique	1	0,07	1	
02RET03	100	câblage, matière plastique	1	0,07	1	
02VER01		vertèbre, méthacrylate opaline	1	0,007	1,5	
02CPU01	80	support CPU, méthacrylate opaline	1	0,14	5,5	
02CPU02	90	support CPU, méthacrylate opaline	1	0,14	5,5	
02CPU03	100	support CPU, méthacrylate opaline	1	0,14	5,5	



HIGHLY UV RESISTANT



RESISTANT TO ABRASION



RESISTANT TO STAIN



MAXIMUM RESISTANCE TO FIRE AND HEAT



LOW WATER ABSORPTION



HIGH MECHANICAL RESISTANCE



COLOUR STABILITY



DIMENSIONAL STABILITY



FIREPROOF MATERIAL

5/2"

Maki verre

Extensible - Prof. 80 cm.

Finition piètement:

Aluminium laqué blanc (semblable au Ral 9016)

Aluminium laqué noir (semblable au Ral 9004)

Finition du plateau:

Verre brillant coloris standard: extra white, gris anthracite, noir, titane

Verre brillant coloris palette RAL/NCS sur demande

Verre mat coloris: extra white, gris anthracite, noir, titane

Finition des rallonges:

Laminé Alucompact® blanc

Laminé Alucompact® gris sable

Laminé Alucompact® gris anthracite

Laminé Alucompact® noir

→ Pour les modèles de table marqués d'un astérisque (*), il est possible d'ajouter une troisième rallonge pour augmenter davantage l'extension.

→ Attention: les dimensions et les finitions marquées par un point d'exclamation (!) ont des délais de production plus longs (environ 6 semaines à partir de la date de la commande).

→ Attention: les variations de tonalité par rapport aux échantillons choisis sur les nuanciers RAL/NCS sont inévitables puisqu'elles sont dues à la réfraction de la couleur à travers l'épaisseur du verre.
Pour les tonalités de blanc, on n'effectue pas de coloris RAL/NCS sur demande.

→ Les tables qui une fois allongées font plus de 250 cm présentent une légère flexion du plateau qui respecte les standards de qualité acceptés.

→ Emballages renforcés voir page 205.


Extensible (►)

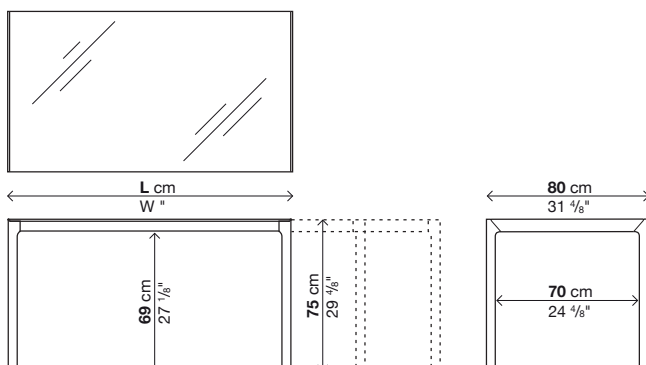
Code	Longueur (L)	Prof.	Pieds	Plateau	Prix en EURO	Cols	m ²	Kg
01MAK11	114-154-194	80	laqué	brillant standard	3	0,32	72	
				brillant RAL/NCS (!)				
				verre mat				
01MAK12	139-179-219	80	laqué	brillant standard	3	0,37	80	
				brillant RAL/NCS (!)				
				verre mat				
01MAK16*	166-206-246	80	laqué	brillant standard	3	0,42	87	
				brillant RAL/NCS (!)				
				verre mat				

(*) 3ème rallonge supplémentaire

Code	Longueur (L)	Rallonge	Prix en EURO	Cols	m ²	Kg
50SUS05A	33	Alucompact		1	0,025	6

Optionals

Code		Prix en EURO	Cols	m ²	Kg
02GTA02	 coupe des pieds sur mesure		-	-	-



Maki verre

Fixe - Prof. 80 cm.

Finition piètement:

Aluminium laqué blanc (semblable au Ral 9016)

Aluminium laqué noir (semblable au Ral 9004)

Finition du plateau:

Verre brillant coloris standard: extra white, gris anthracite, noir, titane

Verre brillant coloris palette RAL/NCS sur demande

Verre mat coloris: extra white, gris anthracite, noir, titane

→ Attention: les dimensions et les finitions marquées par un point d'exclamation (!) ont des délais de production plus longs (environ 6 semaines à partir de la date de la commande).

→ Attention: les variations de tonalité par rapport aux échantillons choisis sur les nuanciers RAL/NCS sont inévitables puisqu'elles sont dues à la réfraction de la couleur à travers l'épaisseur du verre.
Pour les tonalités de blanc, on n'effectue pas de coloris RAL/NCS sur demande.


→ Les tables qui une fois allongées font plus de 250 cm présentent une légère flexion du plateau qui respecte les standards de qualité acceptés.

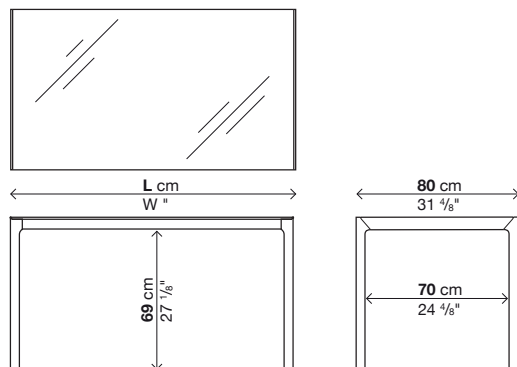
→ Emballages renforcés voir page 205.

Fixe (II)

Code	Longueur (L)	Prof.	Pieds	Plateau	Prix en EURO	Coils	m ³	Kg
01MAK11F	114	80	laqué	brillant standard	1	0,27	52	
				brillant RAL/NCS (!)				
				verre mat				
01MAK12F	139	80	laqué	brillant standard	1	0,32	60	
				brillant RAL/NCS (!)				
				verre mat				
01MAK29F	166	80	laqué	brillant standard	1	0,37	66	
				brillant RAL/NCS (!)				
				verre mat				
01MAK34F	189	80	laqué	brillant standard	1	0,41	74	
				brillant RAL/NCS (!)				
				verre mat				
01MAK36F	209	80	laqué	brillant standard	1	0,45	80	
				brillant RAL/NCS (!)				
				verre mat				
01MAK38F	229	80	laqué	brillant standard (!)	1	0,49	85	
				brillant RAL/NCS (!)				
				verre mat (!)				
01MAK44F	249	80	laqué	brillant standard (!)	1	0,53	91	
				brillant RAL/NCS (!)				
				verre mat (!)				
01MAK46F	269	80	laqué	brillant standard (!)	1	0,57	96	
				brillant RAL/NCS (!)				
				verre mat (!)				
01MAK48F	289	80	laqué	brillant standard (!)	1	0,61	102	
				brillant RAL/NCS (!)				
				verre mat (!)				

Optionals

Code		Prix en EURO	Coils	m ³	Kg
02GTA02		coupe des pieds sur mesure	-	-	-
02RET01		câblage, matière plastique	1	0,07	1
02VER01		vertèbre, méthacrylate opaline	1	0,007	1,5
02CPU01		support CPU, méthacrylate opaline	1	0,14	5,5



Maki verre

Extensible - Prof. 90 cm.

Finition piètement:

Aluminium laqué blanc (semblable au Ral 9016)

Aluminium laqué noir (semblable au Ral 9004)

Finition du plateau:

Verre brillant coloris standard: extra white, gris anthracite, noir, titane

Verre brillant coloris palette RAL/NCS sur demande

Verre mat coloris: extra white, gris anthracite, noir, titane

Finition des rallonges:

Laminé Alucompact® blanc

Laminé Alucompact® gris sable

Laminé Alucompact® gris anthracite

Laminé Alucompact® noir

→ Pour les modèles de table marqués d'un astérisque (*), il est possible d'ajouter une troisième rallonge pour augmenter davantage l'extension.

→ Attention: les dimensions et les finitions marquées par un point d'exclamation (!) ont des délais de production plus longs (environ 6 semaines à partir de la date de la commande).

→ Attention: les variations de tonalité par rapport aux échantillons choisis sur les nuanciers RAL/NCS sont inévitables puisqu'elles sont dues à la réfraction de la couleur à travers l'épaisseur du verre.
Pour les tonalités de blanc, on n'effectue pas de coloris RAL/NCS sur demande.

→ Les tables qui une fois allongées font plus de 250 cm présentent une légère flexion du plateau qui respecte les standards de qualité acceptés.

→ Emballages renforcés voir page 205.


Extensible (►)

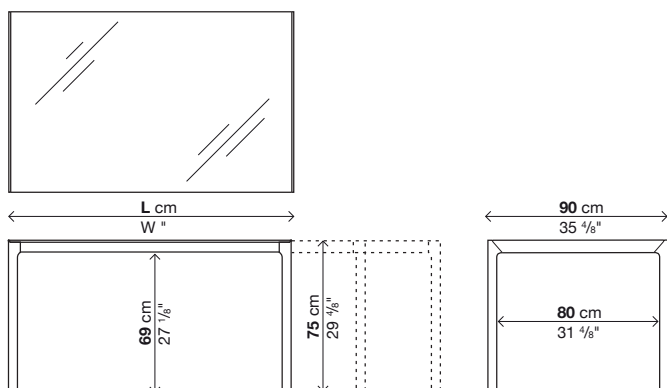
Code	Longueur (L)	Prof.	Pieds	Plateau	Prix en EURO	Cois	m ²	Kg
01MAK13	139-176-214	90	laqué	brillant standard	3	0,41	89	
				brillant RAL/NCS (!)				
				verre mat				
01MAK14	166-203-241-278 <small>3eme extension compris standard</small>	90	laqué	brillant standard	4	0,5	104	
				brillant RAL/NCS (!)				
				verre mat				
01MAK18*	189-226-263	90	laqué	brillant standard	3	0,51	106	
				brillant RAL/NCS (!)				
				verre mat				
01MAK40*	209-246-283	90	laqué	brillant standard	3	0,55	113	
				brillant RAL/NCS (!)				
				verre mat				

(*) 3ème rallonge supplémentaire

Code	Longueur (L)	Rallonge	Prix en EURO	Cois	m ²	Kg
50SUS02A	37,5	Alucompact		1	0,025	6,5

Optionals

Code		Prix en EURO	Cois	m ²	Kg
02GTA02	 coupe des pieds sur mesure		-	-	-



Maki verre

Fixe - Prof. 90 cm.

Finition piètement:

Aluminium laqué blanc (semblable au Ral 9016)

Aluminium laqué noir (semblable au Ral 9004)

Finition du plateau:

Verre brillant coloris standard: extra white, gris anthracite, noir, titane

Verre brillant coloris palette RAL/NCS sur demande

Verre mat coloris: extra white, gris anthracite, noir, titane

→ Attention: les dimensions et les finitions marquées par un point d'exclamation (!) ont des délais de production plus longs (environ 6 semaines à partir de la date de la commande).

→ Attention: les variations de tonalité par rapport aux échantillons choisis sur les nuanciers RAL/NCS sont inévitables puisqu'elles sont dues à la réfraction de la couleur à travers l'épaisseur du verre.

Pour les tonalités de blanc, on n'effectue pas de coloris RAL/NCS sur demande.


→ Les tables qui une fois allongées font plus de 250 cm présentent une légère flexion du plateau qui respecte les standards de qualité acceptés.

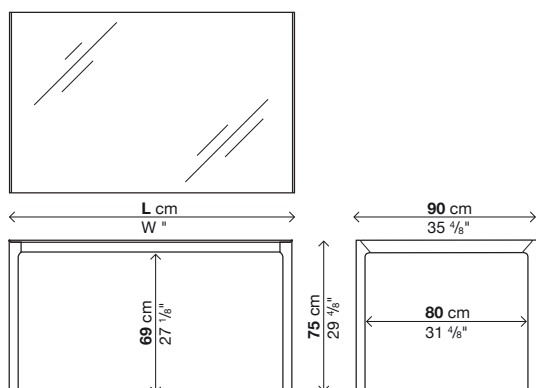
→ Emballages renforcés voir page 205.

Fixe (II)

Code	Longueur (L)	Prof.	Pieds	Plateau	Prix en EURO	Cois	m ²	Kg
01MAK52F	114	90	laqué	brillant standard	1	0,3	59	
				brillant RAL/NCS (!)				
				verre mat				
01MAK13F	139	90	laqué	brillant standard	1	0,36	66	
				brillant RAL/NCS (!)				
				verre mat				
01MAK14F	166	90	laqué	brillant standard	1	0,42	75	
				brillant RAL/NCS (!)				
				verre mat				
01MAK54F	189	90	laqué	brillant standard	1	0,46	82	
				brillant RAL/NCS (!)				
				verre mat				
01MAK40F	209	90	laqué	brillant standard	1	0,5	88	
				brillant RAL/NCS (!)				
				verre mat				
01MAK56F	229	90	laqué	brillant standard (!)	1	0,55	94	
				brillant RAL/NCS (!)				
				verre mat (!)				
01MAK58F	249	90	laqué	brillant standard (!)	1	0,59	100	
				brillant RAL/NCS (!)				
				verre mat (!)				
01MAK60F	269	90	laqué	brillant standard (!)	1	0,63	111	
				brillant RAL/NCS (!)				
				verre mat (!)				
01MAK62F	289	90	laqué	brillant standard (!)	1	0,67	117	
				brillant RAL/NCS (!)				
				verre mat (!)				

Optionals

Code		Prix en EURO	Cois	m ²	Kg
02GTA02		coupe des pieds sur mesure	-	-	-
02RET02		câblage, matière plastique	1	0,07	1
02VER01		vertèbre, méthacrylate opaline	1	0,007	1,5
02CPU02		support CPU, méthacrylate opaline	1	0,14	5,5



Maki verre

Extensible - Prof. 100 cm.

Finition piètement:

Aluminium laqué blanc (semblable au Ral 9016)

Aluminium laqué noir (semblable au Ral 9004)

Finition du plateau:

Verre brillant coloris standard: extra white, gris anthracite, noir, titane

Verre brillant coloris palette RAL/NCS sur demande

Verre mat coloris: extra white, gris anthracite, noir, titane

Finition des rallonges:

Laminé Alucompact® blanc

Laminé Alucompact® gris sable

Laminé Alucompact® gris anthracite

Laminé Alucompact® noir

→ Pour les modèles de table marqués d'un astérisque (*), il est possible d'ajouter une troisième rallonge pour augmenter davantage l'extension.

→ Attention: les dimensions et les finitions marquées par un point d'exclamation (!) ont des délais de production plus longs (environ 6 semaines à partir de la date de la commande).

→ Attention: les variations de tonalité par rapport aux échantillons choisis sur les nuanciers RAL/NCS sont inévitables puisqu'elles sont dues à la réfraction de la couleur à travers l'épaisseur du verre.
Pour les tonalités de blanc, on n'effectue pas de coloris RAL/NCS sur demande.

→ Les tables qui une fois allongées font plus de 250 cm présentent une légère flexion du plateau qui respecte les standards de qualité acceptés.

→ Emballages renforcés voir page 205.


Extensible (►)

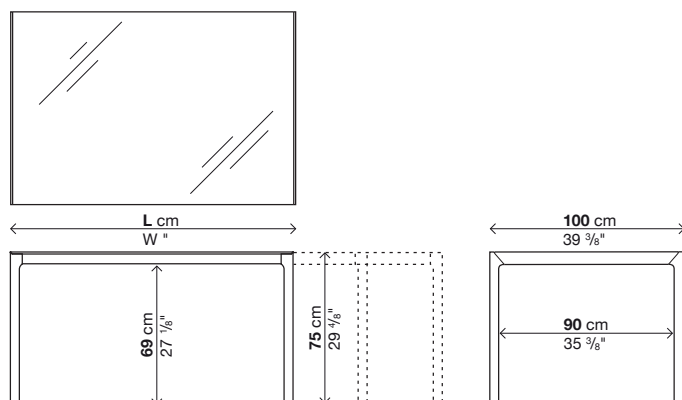
Code	Longueur (L)	Prof.	Pieds	Plateau	Prix en EURO	Cois	m ²	Kg
01MAK15*	166-213-260	100	laqué	brillant standard	3	0,52	109	
				brillant RAL/NCS (!)				
				verre mat				
01MAK19*	189-236-283	100	laqué	brillant standard	3	0,57	116	
				brillant RAL/NCS (!)				
				verre mat				
01MAK17*	209-256-303	100	laqué	brillant standard	3	0,62	126	
				brillant RAL/NCS (!)				
				verre mat				

(*) 3ème rallonge supplémentaire

Code	Longueur (L)	Rallonge	Prix en EURO	Cois	m ²	Kg
50SUS06A	33	Alucompact		1	0,025	6

Optionals

Code		Prix en EURO	Cois	m ²	Kg
02GTA02	 coupe des pieds sur mesure		-	-	-



Maki verre

Fixe - Prof. 100 cm.

Finition piètement:

Aluminium laqué blanc (semblable au Ral 9016)

Aluminium laqué noir (semblable au Ral 9004)

Finition du plateau:

Verre brillant coloris standard: extra white, gris anthracite, noir, titane

Verre brillant coloris palette RAL/NCS sur demande

Verre mat coloris: extra white, gris anthracite, noir, titane

→ Attention: les dimensions et les finitions marquées par un point d'exclamation (!) ont des délais de production plus longs (environ 6 semaines à partir de la date de la commande).

→ Attention: les variations de tonalité par rapport aux échantillons choisis sur les nuanciers RAL/NCS sont inévitables puisqu'elles sont dues à la réfraction de la couleur à travers l'épaisseur du verre.
Pour les tonalités de blanc, on n'effectue pas de coloris RAL/NCS sur demande.


→ Les tables qui une fois allongées font plus de 250 cm présentent une légère flexion du plateau qui respecte les standards de qualité acceptés.

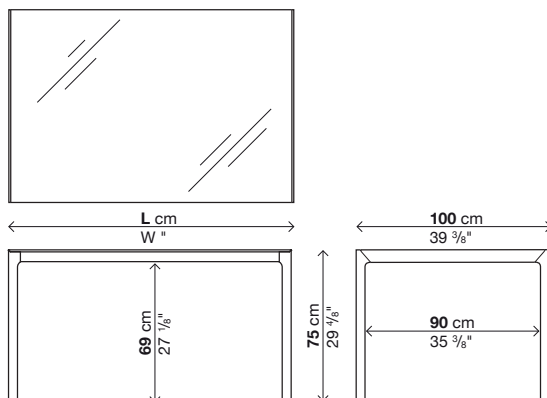
→ Emballages renforcés voir page 205.

Fixe (II)

Code	Longueur (L)	Prof.	Pieds	Plateau	Prix en EURO	Cois. m²	Kg
01MAK66F	139	100	laqué	brillant standard	1	0,39	71
				brillant RAL/NCS (!)			
				verre mat			
01MAK15F	166	100	laqué	brillant standard	1	0,45	80
				brillant RAL/NCS (!)			
				verre mat			
01MAK18F	189	100	laqué	brillant standard	1	0,5	88
				brillant RAL/NCS (!)			
				verre mat			
01MAK17F	209	100	laqué	brillant standard	1	0,55	94
				brillant RAL/NCS (!)			
				verre mat			
01MAK19F	229	100	laqué	brillant standard (!)	1	0,6	101
				brillant RAL/NCS (!)			
				verre mat (!)			
01MAK68F	249	100	laqué	brillant standard (!)	1	0,65	108
				brillant RAL/NCS (!)			
				verre mat (!)			
01MAK70F	269	100	laqué	brillant standard (!)	1	0,69	118
				brillant RAL/NCS (!)			
				verre mat (!)			
01MAK42F	289	100	laqué	brillant standard (!)	1	0,74	126
				brillant RAL/NCS (!)			
				verre mat (!)			

Optionals

Code		Prix en EURO	Cois. m²	Kg
02GTA02		coupe des pieds sur mesure	-	-
02RET03		câblage, matière plastique	1	0,07
02VER01		vertèbre, méthacrylate opaline	1	0,007
02CPU03		support CPU, méthacrylate opaline	1	0,14



Maki verre

Fixe - Prof. 124 cm.

Finition piètement:

Aluminium laqué blanc (semblable au Ral 9016)

Aluminium laqué noir (semblable au Ral 9004)

Finition du plateau:

Verre brillant coloris standard: extra white, gris anthracite, noir, titane

Verre brillant coloris palette RAL/NCS sur demande

Verre mat coloris: extra white, gris anthracite, noir, titane

→ Attention: les dimensions et les finitions marquées par un point d'exclamation (!) ont des délais de production plus longs (environ 6 semaines à partir de la date de la commande).

→ Attention: les variations de tonalité par rapport aux échantillons choisis sur les nuanciers RAL/NCS sont inévitables puisqu'elles sont dues à la réfraction de la couleur à travers l'épaisseur du verre.
Pour les tonalités de blanc, on n'effectue pas de coloris RAL/NCS sur demande.


→ Les tables qui une fois allongées font plus de 250 cm présentent une légère flexion du plateau qui respecte les standards de qualité acceptés.

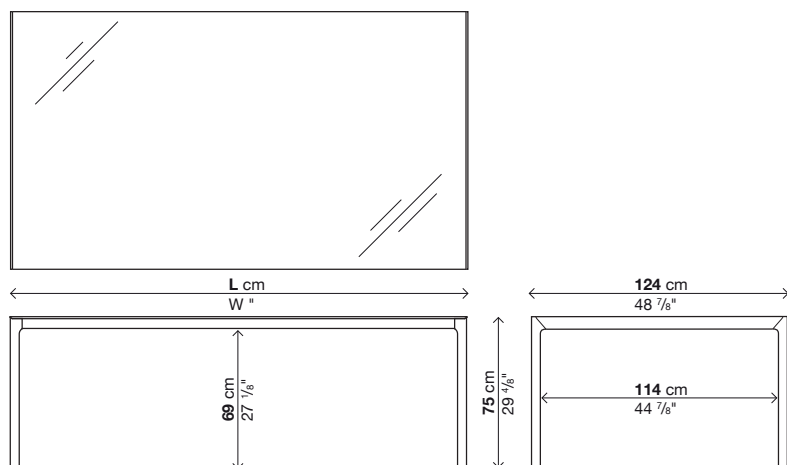
→ Emballages renforcés voir page 205.

Fixe (II)

Code	Longueur (L)	Prof.	Pieds	Plateau	Prix en EURO	Cois	m ²	Kg
01MAK72F	209	124	laqué	brillant standard (!)	1	0,66	117	
				brillant RAL/NCS (!)				
				verre mat (!)				
01MAK74F	229	124	laqué	brillant standard (!)	1	0,72	126	
				brillant RAL/NCS (!)				
				verre mat (!)				
01MAK76F	277	124	laqué	brillant standard (!)	1	0,85	148	
				brillant RAL/NCS (!)				
				verre mat (!)				

Optionals

Code			Prix en EURO	Cois	m ²	Kg
02GTA02		coupe des pieds sur mesure	-	-	-	-
04RET04		câblage, matière plastique	1	0,07	1	
02VER01		vertèbre, méthacrylate opaline	1	0,007	1,5	
02CPU04		support CPU, méthacrylate opaline	1	0,14	5,5	



Maki

Größenübersicht

Breite 80 cm
Depth 314/8"

80	114 cm 447/8"	→ Alucompact® → Pure-white → Glas
	114/154/194 cm 447/8/605/8/763/8"	→ Alucompact® → Pure-white → Glas
	139 cm 546/8"	→ Alucompact® → Pure-white → Glas
	139/179/219 cm 546/8/704/8/862/8"	→ Alucompact® → Pure-white → Glas
	166 cm 653/8"	→ Alucompact® → Pure-white → Glas
	166/206/246 cm 653/8/811/8/967/8"	→ Alucompact® → Pure-white → Glas *
	189 cm 743/8"	→ Alucompact® → Pure-white → Glas
	209 cm 822/8"	→ Alucompact® → Pure-white → Glas
	229 cm 901/8"	→ Alucompact® → Pure-white → Glas
	249 cm 98"	→ Alucompact® → Pure-white → Glas
	269 cm 1057/8"	→ Alucompact® → Pure-white → Glas
	289 cm 1136/8"	→ Alucompact® → Pure-white → Glas

Breite 90 cm
Depth 353/8"

90	114 cm 447/8"	→ Alucompact® → Pure-white → Glas
	139 cm 546/8"	→ Alucompact® → Pure-white → Fenix-NTM® → Glas → DEKTON®
	139/176/214 cm 546/8/692/8/842/8"	→ Alucompact® → Pure-white → Fenix-NTM® → Glas → DEKTON®
	166 cm 653/8"	→ Alucompact® → Pure-white → Fenix-NTM® → Glas → DEKTON®
	166/203/241/278 cm 653/8/797/8/947/8/1094/8"	→ Alucompact® → Pure-white → Fenix-NTM® → Glas
	166/203/241 cm 653/8/797/8/947/8"	→ DEKTON®
	189 cm 743/8"	→ Alucompact® → Pure-white → Fenix-NTM® → Glas → DEKTON®
	189/226/263 cm 743/8/89/1034/8"	→ Alucompact® → Pure-white → Fenix-NTM® → Glas *
	189/226/263 cm 743/8/89/1034/8"	→ DEKTON®
	209 cm 822/8"	→ Alucompact® → Pure-white → Fenix-NTM® → Glas
	209/246/283 cm 822/8/967/8/1113/8"	→ Alucompact® → Pure-white → Fenix-NTM® → Glas *
	229 cm 901/8"	→ Alucompact® → Pure-white → Glas
	249 cm 98"	→ Alucompact® → Pure-white → Glas
	269 cm 1057/8"	→ Alucompact® → Pure-white → Glas
	289 cm 1136/8"	→ Alucompact® → Pure-white → Glas

Breite 100 cm
Depth 393/8"

100	139 cm 546/8"	→ Alucompact® → Pure-white → Glas
	166 cm 653/8"	→ Alucompact® → Pure-white → Fenix-NTM® → Glas → DEKTON®
	166/213/260 cm 653/8/837/8/1023/8"	→ Alucompact® → Pure-white → Fenix-NTM® → Glas *
	166/203/240 cm 653/8/797/8/944/8"	→ DEKTON®
	189 cm 743/8"	→ Alucompact® → Pure-white → Fenix-NTM® → Glas → DEKTON®
	189/236/283 cm 743/8/927/8/1113/8"	→ Alucompact® → Pure-white → Fenix-NTM® → Glas *
	189/226/263 cm 743/8/89/1034/8"	→ DEKTON®
	209 cm 822/8"	→ Alucompact® → Pure-white → Fenix-NTM® → Glas
	209/256/303 cm 822/8/1006/8/1192/8"	→ Alucompact® → Pure-white → Fenix-NTM® → Glas *
	229 cm 901/8"	→ Alucompact® → Pure-white → Glas → DEKTON®
	249 cm 98"	→ Alucompact® → Pure-white → Glas
	269 cm 1057/8"	→ Alucompact® → Pure-white → Glas → DEKTON®
	289 cm 1136/8"	→ Alucompact® → Pure-white → Glas

* = 3. zusätzliche Verlängerung (auf Anfrage)

Platten

Breite 124 cm
Depth 487/8"

124

209 cm
82 2/8"

→ Alucompact®
→ Pure-white
→ Glas

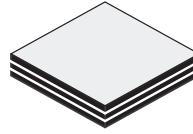
229 cm
90 1/8"

→ Alucompact®
→ Pure-white
→ Glas

277 cm
109"

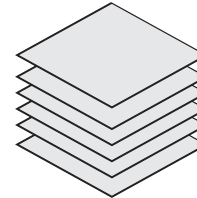
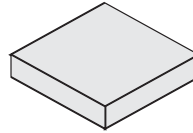
→ Alucompact®
→ Pure-white
→ Glas

Alucompact® St. 10 mm



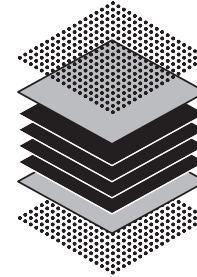
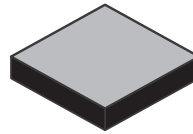
→ Laminat
→ Core (Kraftpapier)
→ Aluminium
→ Core (Kraftpapier)
→ Aluminium
→ Core (Kraftpapier)
→ Laminat

Pure-white St. 10 mm



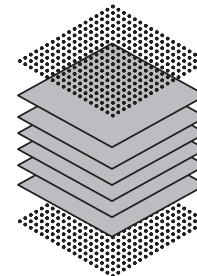
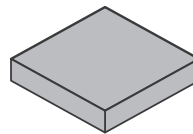
→ Laminat
→ Core Weiß
→ Laminat

Fenix-NTM® schwarze Kante St. 10 mm



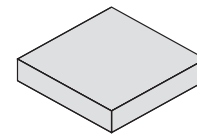
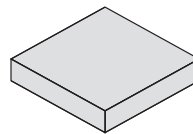
→ mit Hilfe der Nanotechnologie hergestellt Oberfläche
→ Dekorpapier
→ Core (Kraftpapier)
→ Dekorpapier
→ mit Hilfe der Nanotechnologie hergestellt Oberfläche

Fenix-NTM® farbige Kante St. 10 mm



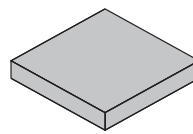
→ mit Hilfe der Nanotechnologie hergestellt Oberfläche
→ Dekorpapier
→ Dekorpapier
→ Dekorpapier
→ mit Hilfe der Nanotechnologie hergestellt Oberfläche

Glas St. 10 mm



→ Glas
→ Lackierung

DEKTON® by Cosentino St. 8 mm



Dekton ist ein hoch entwickeltes Rohstoffgemisch, das für die Erzeugung von Glas, Keramik der letzten Generation und Quarzoberflächen mit höchster Qualität eingesetzt wird.

Maki Alucompact® / Pure-white

Erweiterbar - Breite 80 cm.

Ausführung der Beine:

Weiß lackiertes Aluminium (farbähnlich wie Ral 9016)

“Alucompact® Sandgrau” lackiertes Aluminium (farbähnlich wie Ral 9002)

“Alucompact® Anthrazitgrau” lackiertes Aluminium (farbähnlich wie Ral 7015)

Schwarz lackiertes Aluminium (farbähnlich wie Ral 9004)

Ausführung der Tischplatte/Verlängerungen:

Laminat Alucompact® (Weiß, Sandgrau, Anthrazitgrau, Schwarz)

Laminat Pure-white Weiß

→ Bei den Tischen, deren Artikelnummern mit Sternchen (*) markiert sind, ist das Hinzufügen einer dritten Verlängerung möglich, wodurch der Tisch noch größer wird.

→ Achtung: Die mit (!) gekennzeichneten Maße oder Ausführungen haben eine längere Produktionszeit: zirka 6 Wochen ab Auftragsdatum.

→ Verstärkte Verpackungsmaterialien siehe Seite 205.

Erweiterbar (▶)

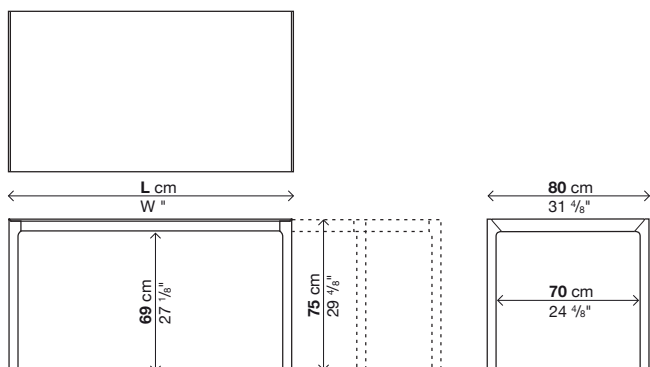
Art.-Nr.	Länge (L)	Breite	Beine	Platte	Preis in EURO	Koll.	V. m ²	Kg
01MAK01	114-154-194	80	Lackiert	Alucompact	3	0,32	63	
				Pure-white (!)				
01MAK02	139-179-219	80	Lackiert	Alucompact	3	0,37	69	
				Pure-white (!)				
01MAK07*	166-206-246	80	Lackiert	Alucompact	3	0,42	75	
				Pure-white (!)				

(*) 3. zusätzliche Verlängerung

Art.-Nr.	Länge (L)	Verlängerung	Preis in EURO	Koll.	V. m ²	Kg
50SUS05A	33	Alucompact	1	0,025	6	
		Pure-white				

Optionals

Art.-Nr.		Preis in EURO	Koll.	V. m ²	Kg
02GTA02	 Zuschnitt der Beine nach Maß	-	-	-	-



Maki Alucompact® / Pure-white

Fixmaße - Breite 80 cm.

Ausführung der Beine:

Weiß lackiertes Aluminium (farbähnlich wie Ral 9016)

“Alucompact® Sandgrau” lackiertes Aluminium (farbähnlich wie Ral 9002)

“Alucompact® Anthrazitgrau” lackiertes Aluminium (farbähnlich wie Ral 7015)

Schwarz lackiertes Aluminium (farbähnlich wie Ral 9004)

Ausführung der Tischplatte:

Laminat Alucompact® (Weiß, Sandgrau, Anthrazitgrau, Schwarz)

Laminat Pure-white Weiß

→ Achtung: Die mit (!) gekennzeichneten Maße oder Ausführungen haben eine längere Produktionszeit: zirka 6 Wochen ab Auftragsdatum.


→ Jene Tische, die im ausgezogenen Zustand eine Länge von 250 cm überschreiten, weisen eine leichte Biegung der Platte auf, die jedoch innerhalb der festgelegten qualitativen Standards liegt.

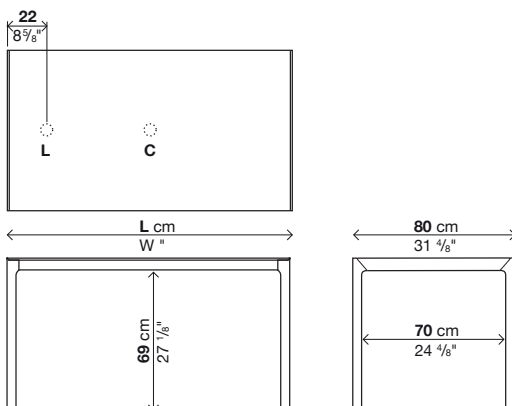
→ Verstärkte Verpackungsmaterialien siehe Seite 205.

Fixmaße (II)

Art.-Nr.	Länge (L)	Breite	Beine	Platte	Preis in EURO	Koll.	V.m ³	Kg
01MAK01F	114	80	Lackiert	Alucompact Pure-white		1	0,27	43
01MAK02F	139	80	Lackiert	Alucompact Pure-white		1	0,32	49
01MAK28F	166	80	Lackiert	Alucompact (!) Pure-white (!)		1	0,37	55
01MAK33F	189	80	Lackiert	Alucompact (!) Pure-white (!)		1	0,41	60
01MAK35F	209	80	Lackiert	Alucompact (!) Pure-white (!)		1	0,45	64
01MAK37F	229	80	Lackiert	Alucompact (!) Pure-white (!)		1	0,49	68
01MAK43F	249	80	Lackiert	Alucompact (!) Pure-white (!)		1	0,53	73
01MAK45F	269	80	Lackiert	Alucompact (!) Pure-white (!)		1	0,57	76
01MAK47F	289	80	Lackiert	Alucompact (!) Pure-white (!)		1	0,61	80

Optionals

Art.-Nr.			Preis in EURO	Koll.	V.m ³	Kg
02GTA02		Zuschnitt der Beine nach Maß	-	-	-	-
02FOR01	Ø6	seitlicher oder mittlerer Kabeldurchlass	-	-	-	-
02RET01		Kabelnetz, Kunststoffmaterial	1	0,07	1	
02VER01		Kabelschlange, mattes Methacrylat	1	0,007	1,5	
02CPU01		CPU-Träger, mattes Methacrylat	1	0,14	5,5	



Maki Alucompact® / Pure-white / Fenix-NTM®

Erweiterbar - Breite 90 cm.

Ausführung der Beine:

Weiß lackiertes Aluminium (farbähnlich wie Ral 9016)
 "Alucompact® Sandgrau" lackiertes Aluminium (farbähnlich wie Ral 9002)
 "Alucompact® Anthrazitgrau" lackiertes Aluminium (farbähnlich wie Ral 7015)
 "Fenix-NTM® Grau London" lackiertes Aluminium (farbähnlich wie Ral Design0805005)
 "Fenix-NTM® Grau Bromo" lackiertes Aluminium (farbähnlich wie Ral 7012)
 Schwarz lackiertes Aluminium (farbähnlich wie Ral 9004)

Ausführung der Tischplatte/Verlängerungen:

Laminat Alucompact® (Weiß, Sandgrau, Anthrazitgrau, Schwarz)

 Laminat Pure-white Weiß

 Fenix-NTM® mit schwarzer Kante (Weiß Kos 0032, Grau London 0718, Grau Bromo 0724, Schwarz Ingo 0720)

 Fenix-NTM® mit farbiger Kante (Weiß Kos 0032, Grau London 0718)

→ Bei den Tischen, deren Artikelnummern mit Sternchen (*) markiert sind, ist das Hinzufügen einer dritten Verlängerung möglich, wodurch der Tisch noch größer wird.

→ Achtung: Die mit (!) gekennzeichneten Maße oder Ausführungen haben eine längere Produktionszeit: zirka 6 Wochen ab Auftragsdatum.

→ Jene Tische, die im ausgezogenen Zustand eine Länge von 250 cm überschreiten, weisen eine leichte Biegung der Platte auf, die jedoch innerhalb der festgelegten qualitativen Standards liegt.

→ Verstärkte Verpackungsmaterialien siehe Seite 205.

Erweiterbar (▶)

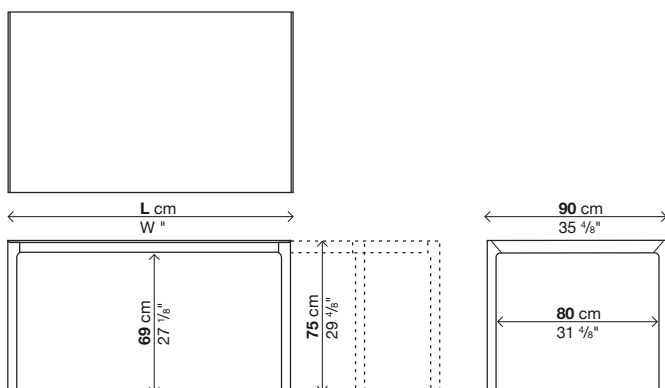
Art.-Nr.	Länge (L)	Breite	Beine	Platte	Preis in EURO	Koli	V. m ³	Kg
01MAK03	139-176-214	90	Lackiert	Alucompact		3	0,41	79
				Pure-white				
				Fenix schwarze Kante				
				Fenix farbige Kante				
01MAK04	166-203-241-278 <i>dritte Verlängerung standard</i>	90	Lackiert	Alucompact		4	0,5	89
				Pure-white				
				Fenix schwarze Kante				
				Fenix farbige Kante				
01MAK08*	189-226-263	90	Lackiert	Alucompact		3	0,51	90
				Pure-white				
				Fenix schwarze Kante				
				Fenix farbige Kante				
01MAK30*	209-246-283	90	Lackiert	Alucompact (!)		3	0,55	96
				Pure-white (!)				
				Fenix schwarze Kante (!)				
				Fenix farbige Kante (!)				

(*) 3. zusätzliche Verlängerung

Art.-Nr.	Länge (L)	Verlängerung	Preis in EURO	Koli	V. m ³	Kg
50SUS02A	37,5	Alucompact		1	0,025	6,5
		Pure-white				
		Fenix schwarze Kante				
		Fenix farbige Kante				

Optionals

Art.-Nr.			Preis in EURO	Koli	V. m ³	Kg
02GTA02		Zuschnitt der Beine nach Maß	-	-	-	-



Maki Alucompact® / Pure-white / Fenix-NTM®

Fixmaße - Breite 90 cm.

Ausführung der Beine:

Weiß lackiertes Aluminium (farbähnlich wie Ral 9016)

“Alucompact® Sandgrau” lackiertes Aluminium (farbähnlich wie Ral 9002)

“Alucompact® Anthrazitgrau” lackiertes Aluminium (farbähnlich wie Ral 7015)

“Fenix-NTM® Grau London” lackiertes Aluminium (farbähnlich wie Ral Design0805005)

“Fenix-NTM® Grau Bromo” lackiertes Aluminium (farbähnlich wie Ral 7012)

Schwarz lackiertes Aluminium (farbähnlich wie Ral 9004)

Ausführung der Tischplatte:

Laminat Alucompact® (Weiß, Sandgrau, Anthrazitgrau, Schwarz)

Laminat Pure-white Weiß

Fenix-NTM® mit schwarzer Kante (Weiß Kos 0032, Grau London 0718, Grau Bromo 0724, Schwarz Ingo 0720)

Fenix-NTM® mit farbiger Kante (Weiß Kos 0032, Grau London 0718)

→ Achtung: Die mit (!) gekennzeichneten Maße oder Ausführungen haben eine längere Produktionszeit: zirka 6 Wochen ab Auftragsdatum.

→ Jene Tische, die im ausgezogenen Zustand eine Länge von 250 cm überschreiten, weisen eine leichte Biegung der Platte auf, die jedoch innerhalb der festgelegten qualitativen Standards liegt.


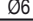
→ Die Tische mit Länge 269 und 289 cm besitzen unter der Platte eine zentrale Längsstrebe, eventuelle Kabeldurchlässe können daher nicht in der Mitte, sondern nur leicht versetzt angebracht werden.

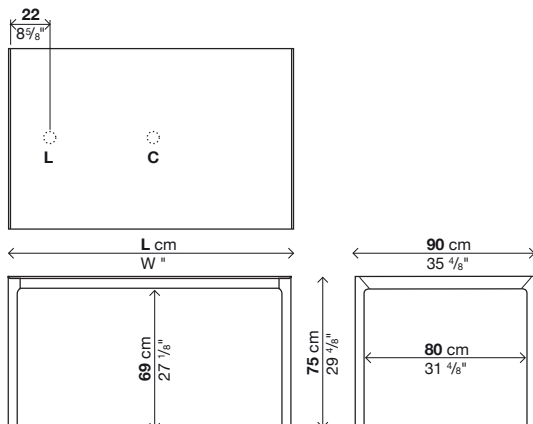
→ Verstärkte Verpackungsmaterialien siehe Seite 205.

Fixmaße (II)

Art.-Nr.	Länge (L)	Breite	Beine	Platte	Preis in EURO	Koll.	V. m ³	Kg
01MAK51F	114	90	Lackiert	Alucompact		1	0,3	49
				Pure-white				
01MAK03F	139	90	Lackiert	Alucompact		1	0,36	54
				Pure-white				
				Fenix schwarze Kante				
				Fenix farbige Kante				
01MAK04F	166	90	Lackiert	Alucompact		1	0,42	60
				Pure-white				
				Fenix schwarze Kante				
				Fenix farbige Kante				
01MAK53F	189	90	Lackiert	Alucompact		1	0,46	65
				Pure-white				
				Fenix schwarze Kante				
				Fenix farbige Kante				
01MAK30F	209	90	Lackiert	Alucompact		1	0,5	70
				Pure-white				
				Fenix schwarze Kante				
				Fenix farbige Kante				
01MAK55F	229	90	Lackiert	Alucompact (!)		1	0,55	74
				Pure-white (!)				
01MAK57F	249	90	Lackiert	Alucompact (!)		1	0,59	79
				Pure-white (!)				
01MAK59F	269	90	Lackiert	Alucompact (!)		1	0,63	87
				Pure-white (!)				
01MAK61F	289	90	Lackiert	Alucompact (!)		1	0,67	93
				Pure-white (!)				

Optionals

Art.-Nr.			Preis in EURO	Koll.	V. m ³	Kg
02GTA02		Zuschnitt der Beine nach Maß	-	-	-	-
02FOR01		seitlicher oder mittlerer Kabeldurchlass	-	-	-	-
02RET02		Kabelnetz, Kunststoffmaterial	1	0,07	1	
02VER01		Kabelschlange, mattes Methacrylat	1	0,007	1,5	
02CPU02		CPU-Träger, mattes Methacrylat	1	0,14	5,5	



Maki Alucompact® / Pure-white / Fenix-NTM®

Erweiterbar - Breite 100 cm.

Ausführung der Beine:

Weiß lackiertes Aluminium (farbähnlich wie Ral 9016)

“Alucompact® Sandgrau” lackiertes Aluminium (farbähnlich wie Ral 9002)

“Alucompact® Anthrazitgrau” lackiertes Aluminium (farbähnlich wie Ral 7015)

“Fenix-NTM® Grau London” lackiertes Aluminium (farbähnlich wie Ral Design0805005)

“Fenix-NTM® Grau Bromo” lackiertes Aluminium (farbähnlich wie Ral 7012)

Schwarz lackiertes Aluminium (farbähnlich wie Ral 9004)

Ausführung der Tischplatte/Verlängerungen:

Laminat Alucompact® (Weiß, Sandgrau, Anthrazitgrau, Schwarz)

Laminat Pure-white Weiß

Fenix-NTM® mit schwarzer Kante (Weiß Kos 0032, Grau London 0718, Grau Bromo 0724, Schwarz Ingo 0720)

Fenix-NTM® mit farbiger Kante (Weiß Kos 0032, Grau London 0718)

→ Bei den Tischen, deren Artikelnummern mit Sternchen (*) markiert sind, ist das Hinzufügen einer dritten Verlängerung möglich, wodurch der Tisch noch größer wird.

→ Jene Tische, die im ausgezogenen Zustand eine Länge von 250 cm überschreiten, weisen eine leichte Biegung der Platte auf, die jedoch innerhalb der festgelegten qualitativen Standards liegt.

→ Verstärkte Verpackungsmaterialien siehe Seite 205.

Erweiterbar (▶)

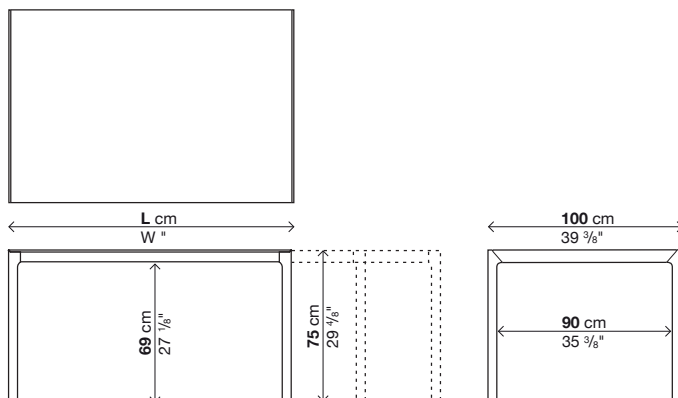
Art.-Nr.	Länge (L)	Breite	Beine	Platte	Preis in EURO	Koli	V. m ³	Kg
01MAK05*	166-213-260	100	Lackiert	Alucompact	3	0,52	93	
				Pure-white				
				Fenix schwarze Kante				
				Fenix farbige Kante				
01MAK09*	189-236-283	100	Lackiert	Alucompact	3	0,57	100	
				Pure-white				
				Fenix schwarze Kante				
				Fenix farbige Kante				
01MAK06*	209-256-303	100	Lackiert	Alucompact	3	0,62	106	
				Pure-white				
				Fenix schwarze Kante				
				Fenix farbige Kante				

(*) 3. zusätzliche Verlängerung

Art.-Nr.	Länge (L)	Verlängerung	Preis in EURO	Koli	V. m ³	Kg
50SUS06A	33	Alucompact	1	0,035	6	
		Pure-white				
		Fenix schwarze Kante				
		Fenix farbige Kante				

Optionals

Art.-Nr.		Preis in EURO	Koli	V. m ³	Kg
02GTA02	 Zuschnitt der Beine nach Maß	-	-	-	-



Maki Alucompact® / Pure-white / Fenix-NTM®

Fixmaße - Breite 100 cm.

Ausführung der Beine:

Weiß lackiertes Aluminium (farbähnlich wie Ral 9016)
 "Alucompact® Sandgrau" lackiertes Aluminium (farbähnlich wie Ral 9002)
 "Alucompact® Anthrazitgrau" lackiertes Aluminium (farbähnlich wie Ral 7015)
 "Fenix-NTM® Grau London" lackiertes Aluminium (farbähnlich wie Ral Design0805005)
 "Fenix-NTM® Grau Bromo" lackiertes Aluminium (farbähnlich wie Ral 7012)
 Schwarz lackiertes Aluminium (farbähnlich wie Ral 9004)

Ausführung der Tischplatte:

Laminat Alucompact® (Weiß, Sandgrau, Anthrazitgrau, Schwarz)

 Laminat Pure-white Weiß

 Fenix-NTM® mit schwarzer Kante (Weiß Kos 0032, Grau London 0718, Grau Bromo 0724, Schwarz Ingo 0720)

 Fenix-NTM® mit farbiger Kante (Weiß Kos 0032, Grau London 0718)

→ Achtung: Die mit (!) gekennzeichneten Maße oder Ausführungen haben eine längere Produktionszeit: zirka 6 Wochen ab Auftragsdatum.

→ Jene Tische, die im ausgezogenen Zustand eine Länge von 250 cm überschreiten, weisen eine leichte Biegung der Platte auf, die jedoch innerhalb der festgelegten qualitativen Standards liegt.

→ Die Tische mit Länge 269 und 289 cm besitzen unter der Platte eine zentrale Längsstrebe, eventuelle Kabeldurchlässe können daher nicht in der Mitte, sondern nur leicht versetzt angebracht werden.

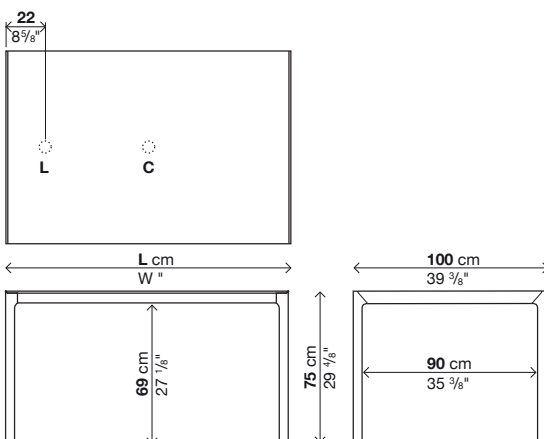
→ Verstärkte Verpackungsmaterialien siehe Seite 205.

Fixmaße (II)

Art.-Nr.	Länge (L)	Breite	Beine	Platte	Preis in EURO	Koll.	V. m ³	Kg
01MAK65F	139	100	Lackiert	Alucompact		1	0,39	58
				Pure-white				
01MAK05F	166	100	Lackiert	Alucompact		1	0,45	64
				Pure-white				
				Fenix schwarze Kante				
				Fenix farbige Kante				
01MAK07F	189	100	Lackiert	Alucompact		1	0,5	70
				Pure-white				
				Fenix schwarze Kante				
				Fenix farbige Kante				
01MAK06F	209	100	Lackiert	Alucompact		1	0,55	75
				Pure-white				
				Fenix schwarze Kante				
				Fenix farbige Kante				
01MAK08F	229	100	Lackiert	Alucompact (!)		1	0,6	80
				Pure-white (!)				
01MAK67F	249	100	Lackiert	Alucompact (!)		1	0,65	85
				Pure-white (!)				
01MAK69F	269	100	Lackiert	Alucompact (!)		1	0,69	63
				Pure-white (!)				
01MAK32F	289	100	Lackiert	Alucompact (!)		1	0,74	98
				Pure-white (!)				

Optionals

Art.-Nr.	Symbol	Beschreibung	Preis in EURO	Koll.	V. m ³	Kg
02GTA02		Zuschnitt der Beine nach Maß	-	-	-	-
02FOR01		seitlicher oder mittlerer Kabeldurchlass	-	-	-	-
02RET03		Kabelnetz, Kunststoffmaterial	1	0,07	1	
02VER01		Kabelschlange, mattes Methacrylat	1	0,007	1,5	
02CPU03		CPU-Träger, mattes Methacrylat	1	0,14	5,5	



Maki Alucompact® / Pure-white

Fixmaße - Breite 124 cm.

Ausführung der Beine:

Weiß lackiertes Aluminium (farbähnlich wie Ral 9016)

“Alucompact® Sandgrau” lackiertes Aluminium (farbähnlich wie Ral 9002)

“Alucompact® Anthrazitgrau” lackiertes Aluminium (farbähnlich wie Ral 7015)

Schwarz lackiertes Aluminium (farbähnlich wie Ral 9004)

Ausführung der Tischplatte:

Laminat Alucompact® (Weiß, Sandgrau, Anthrazitgrau, Schwarz)

Laminat Pure-white Weiß

→ Achtung: Die mit (!) gekennzeichneten Maße oder Ausführungen haben eine längere Produktionszeit: zirka 6 Wochen ab Auftragsdatum.


→ Jene Tische, die im ausgezogenen Zustand eine Länge von 250 cm überschreiten, weisen eine leichte Biegung der Platte auf, die jedoch innerhalb der festgelegten qualitativen Standards liegt.

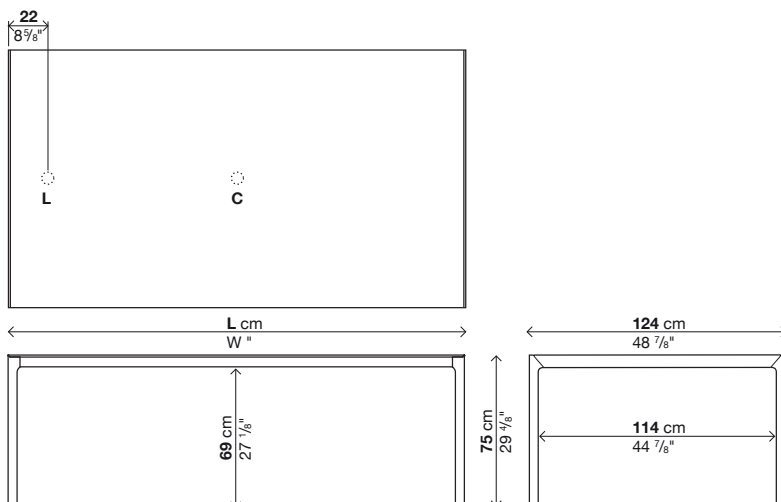
→ Verstärkte Verpackungsmaterialien siehe Seite 205.

Fixmaße (II)

Art.-Nr.	Länge (L)	Breite	Beine	Platte	Preis in EURO	Koll.	V.m ²	Kg
01MAK71F	209	124	Lackiert	Alucompact (!)	1	0,66	94	
				Pure-white (!)				
01MAK73F	229	124	Lackiert	Alucompact (!)	1	0,72	100	
				Pure-white (!)				
01MAK75F	277	124	Lackiert	Alucompact (!)	1	0,85	116	
				Pure-white (!)				

Optionals

Art.-Nr.			Preis in EURO	Koll.	V.m ²	Kg
02GTA02		Zuschnitt der Beine nach Maß	-	-	-	-
02FOR01	Ø6	seitlicher oder mittlerer Kabeldurchlass	-	-	-	-
04RET04		Kabelnetz, Kunststoffmaterial	1	0,07	1	
02VER01		Kabelschlange, mattes Methacrylat	1	0,007	1,5	
02CPU04		CPU-Träger, mattes Methacrylat	1	0,14	5,5	



Maki DEKTON® by Cosentino

Erweiterbar/Fixmaße - Breite 90/100 cm.

Ausführung der Beine:

Weiß lackiertes Aluminium (farbähnlich wie Ral 9016)

“Grau Ventus“ lackiertes Aluminium

Ausführung der Tischplatte:

DEKTON® Weiß Zenith

DEKTON® Grau Ventus

DEKTON® Aura (digitaler Marmor)

Ausführung der Verlängerungen:

Weiß lackiertes Aluminium (farbähnlich wie Ral 9016)

“Grau Ventus“ lackiertes Aluminium

→ Achtung: Die mit (!) gekennzeichneten Maße oder Ausführungen haben eine längere Produktionszeit: zirka 6 Wochen ab Auftragsdatum.

→ Jene Tische, die im ausgezogenen Zustand eine Länge von 250 cm überschreiten, weisen eine leichte Biegung der Platte auf, die jedoch innerhalb der festgelegten qualitativen Standards liegt.

→ Verstärkte Verpackungsmaterialien siehe Seite 205.


Erweiterbar (►)

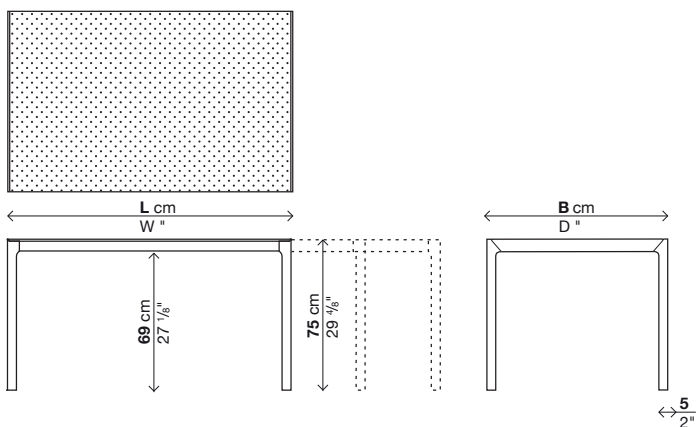
Art.-Nr.	Länge (L)	Breite	Beine	Platte	Preis in EURO	Koff. V. m ³	Kg
01MAK03	139-176-214	90	Lackiert	DEKTON (!)	3	0,41	97
01MAK04	166-203-241	90	Lackiert	DEKTON (!)	3	0,5	110
01MAK08	189-226-263	90	Lackiert	DEKTON (!)	3	0,51	113
01MAK05	166-203-240	100	Lackiert	DEKTON (!)	3	0,52	116
01MAK09	189-226-263	100	Lackiert	DEKTON (!)	3	0,57	126

Fixmaße (II)

Art.-Nr.	Länge (L)	Breite	Beine	Platte	Preis in EURO	Koff. V. m ³	Kg
01MAK03F	139	90	Lackiert	DEKTON (!)	1	0,36	68
01MAK04F	166	90	Lackiert	DEKTON (!)	1	0,42	77
01MAK53F	189	90	Lackiert	DEKTON (!)	1	0,46	84
01MAK05F	166	100	Lackiert	DEKTON (!)	1	0,45	82
01MAK07F	189	100	Lackiert	DEKTON (!)	1	0,5	91
01MAK08F	229	100	Lackiert	DEKTON (!)	1	0,6	105
01MAK69F	269	100	Lackiert	DEKTON (!)	1	0,69	123

Optionals

Art.-Nr.	Breite	Preis in EURO	Koff. V. m ³	Kg
02GTA02		Zuschnitt der Beine nach Maß	-	-
02RET01	80	Kabelnetz, Kunststoffmaterial	1	0,07
02RET02	90	Kabelnetz, Kunststoffmaterial	1	0,07
02RET03	100	Kabelnetz, Kunststoffmaterial	1	0,07
02VER01		Kabelschlange, mattes Methacrylat	1	0,007
02CPU01	80	CPU-Träger, mattes Methacrylat	1	0,14
02CPU02	90	CPU-Träger, mattes Methacrylat	1	0,14
02CPU03	100	CPU-Träger, mattes Methacrylat	1	0,14



Maki Glas

Erweiterbar - Breite 80 cm.

Ausführung der Beine:

Weiß lackiertes Aluminium (farbähnlich wie Ral 9016)

Schwarz lackiertes Aluminium (farbähnlich wie Ral 9004)

Ausführung der Tischplatte:

Glas Hochglanz in Standardfarben: Extraweiß, Anthrazit, Schwarz, Titan

Glas Hochglanz in Farben der Skala RAL/NCS auf Anfrage

Mattes Glas in den Farben: Extraweiß, Anthrazit, Schwarz, Titan

Ausführung der Verlängerungen:

Laminat Alucompact® Weiß

Laminat Alucompact® Sandgrau

Laminat Alucompact® Anthrazitgrau

Laminat Alucompact® Schwarz

→ Bei den Tischen, deren Artikelnummern mit Sternchen (*) markiert sind, ist das Hinzufügen einer dritten Verlängerung möglich, wodurch der Tisch noch größer wird.

→ Achtung: Die mit (!) gekennzeichneten Maße oder Ausführungen haben eine längere Produktionszeit: zirka 6 Wochen ab Auftragsdatum.

→ Achtung: Farbabweichungen bei den gewählten Farben der Musterkarte RAL/NCS sind unausweichlich und beruhen auf der Farbbrechung durch die Stärke des Glases. In den Farbtönen Weiß sind keine RAL/NCS Farben auf Anfrage möglich.

→ Jene Tische, die im ausgezogenen Zustand eine Länge von 250 cm überschreiten, weisen eine leichte Biegung der Platte auf, die jedoch innerhalb der festgelegten qualitativen Standards liegt.

→ Verstärkte Verpackungsmaterialien siehe Seite 205.

Erweiterbar (▶)

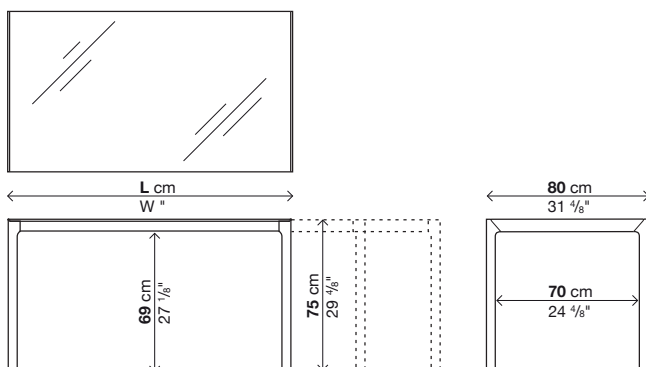
Art.-Nr.	Länge (L)	Breite	Beine	Platte	Preis in EURO	Koll.	V. m ²	Kg
01MAK11	114-154-194	80	Lackiert	Standard Hochgl.	3	0,32	72	
				RAL/NCS Hochgl. (!)				
				Glas matt				
01MAK12	139-179-219	80	Lackiert	Standard Hochgl.	3	0,37	80	
				RAL/NCS Hochgl. (!)				
				Glas matt				
01MAK16*	166-206-246	80	Lackiert	Standard Hochgl.	3	0,42	87	
				RAL/NCS Hochgl. (!)				
				Glas matt				

(*) 3. zusätzliche Verlängerung

Art.-Nr.	Länge (L)	Verlängerung	Preis in EURO	Koll.	V. m ²	Kg
50SUS05A	33	Alucompact		1	0,025	6

Optionals

Art.-Nr.		Preis in EURO	Koll.	V. m ²	Kg
02GTA02	 Zuschnitt der Beine nach Maß	-	-	-	-



Maki Glas

Fixmaße - Breite 80 cm.

Ausführung der Beine:

Weiß lackiertes Aluminium (farbähnlich wie Ral 9016)

Schwarz lackiertes Aluminium (farbähnlich wie Ral 9004)

Ausführung der Tischplatte:

Glas Hochglanz in Standardfarben: Extraweiß, Anthrazit, Schwarz, Titan

Glas Hochglanz in Farben der Skala RAL/NCS auf Anfrage

Mattes Glas in den Farben: Extraweiß, Anthrazit, Schwarz, Titan

→ Achtung: Die mit (!) gekennzeichneten Maße oder Ausführungen haben eine längere Produktionszeit: zirka 6 Wochen ab Auftragsdatum.

→ Achtung: Farbabweichungen bei den gewählten Farben der Musterkarte RAL/NCS sind unausweichlich und beruhen auf der Farbbrechung durch die Stärke des Glases.

In den Farbtönen Weiß sind keine RAL/NCS Farben auf Anfrage möglich.


→ Jene Tische, die im ausgezogenen Zustand eine Länge von 250 cm überschreiten, weisen eine leichte Biegung der Platte auf, die jedoch innerhalb der festgelegten qualitativen Standards liegt.

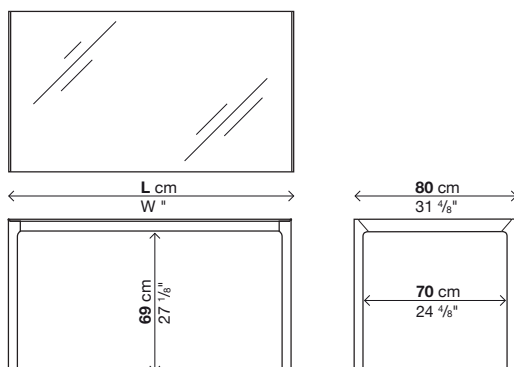
→ Verstärkte Verpackungsmaterialien siehe Seite 205.

Fixmaße (II)

Art.-Nr.	Länge (L)	Breite	Beine	Platte	Preis in EURO	Koll.	V.m ²	Kg
01MAK11F	114	80	Lackiert	Standard Hochgl.	1	0,27	52	
				RAL/NCS Hochgl. (!)				
				Glas matt				
01MAK12F	139	80	Lackiert	Standard Hochgl.	1	0,32	60	
				RAL/NCS Hochgl. (!)				
				Glas matt				
01MAK29F	166	80	Lackiert	Standard Hochgl.	1	0,37	66	
				RAL/NCS Hochgl. (!)				
				Glas matt				
01MAK34F	189	80	Lackiert	Standard Hochgl.	1	0,41	74	
				RAL/NCS Hochgl. (!)				
				Glas matt				
01MAK36F	209	80	Lackiert	Standard Hochgl.	1	0,45	80	
				RAL/NCS Hochgl. (!)				
				Glas matt				
01MAK38F	229	80	Lackiert	Standard Hochgl. (!)	1	0,49	85	
				RAL/NCS Hochgl. (!)				
				Glas matt (!)				
01MAK44F	249	80	Lackiert	Standard Hochgl. (!)	1	0,53	91	
				RAL/NCS Hochgl. (!)				
				Glas matt (!)				
01MAK46F	269	80	Lackiert	Standard Hochgl. (!)	1	0,57	96	
				RAL/NCS Hochgl. (!)				
				Glas matt (!)				
01MAK48F	289	80	Lackiert	Standard Hochgl. (!)	1	0,61	102	
				RAL/NCS Hochgl. (!)				
				Glas matt (!)				

Optionals

Art.-Nr.		Preis in EURO	Koll.	V.m ²	Kg
02GTA02		Zuschnitt der Beine nach Maß	-	-	-
02RET01		Kabelnetz, Kunststoffmaterial	1	0,07	1
02VER01		Kabelschlange, mattes Methacrylat	1	0,007	1,5
02CPU01		CPU-Träger, mattes Methacrylat	1	0,14	5,5



Maki Glas

Erweiterbar - Breite 90 cm.

Ausführung der Beine:

Weiß lackiertes Aluminium (farbähnlich wie Ral 9016)

Schwarz lackiertes Aluminium (farbähnlich wie Ral 9004)

Ausführung der Tischplatte:

Glas Hochglanz in Standardfarben: Extraweiß, Anthrazit, Schwarz, Titan

Glas Hochglanz in Farben der Skala RAL/NCS auf Anfrage

Mattes Glas in den Farben: Extraweiß, Anthrazit, Schwarz, Titan

Ausführung der Verlängerungen:

Laminat Alucompact® Weiß

Laminat Alucompact® Sandgrau

Laminat Alucompact® Anthrazitgrau

Laminat Alucompact® Schwarz

→ Bei den Tischen, deren Artikelnummern mit Sternchen (*) markiert sind, ist das Hinzufügen einer dritten Verlängerung möglich, wodurch der Tisch noch größer wird.

→ Achtung: Die mit (!) gekennzeichneten Maße oder Ausführungen haben eine längere Produktionszeit: zirka 6 Wochen ab Auftragsdatum.

→ Achtung: Farbabweichungen bei den gewählten Farben der Musterkarte RAL/NCS sind unausweichlich und beruhen auf der Farbbrechung durch die Stärke des Glases. In den Farbtönen Weiß sind keine RAL/NCS Farben auf Anfrage möglich.

→ Jene Tische, die im ausgezogenen Zustand eine Länge von 250 cm überschreiten, weisen eine leichte Biegung der Platte auf, die jedoch innerhalb der festgelegten qualitativen Standards liegt.

→ Verstärkte Verpackungsmaterialien siehe Seite 205.


Erweiterbar (▶)

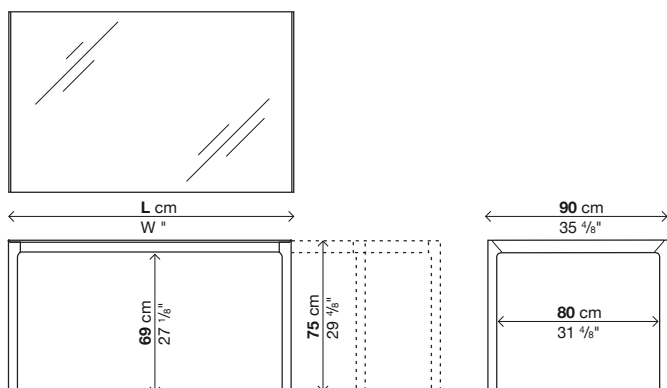
Art.-Nr.	Länge (L)	Breite	Beine	Platte	Preis in EURO	Koll.	V. m ³	Kg
01MAK13	139-176-214	90	Lackiert	Standard Hochgl.	3	0,41	89	
				RAL/NCS Hochgl. (!)				
				Glas matt				
01MAK14	166-203-241-278 <small>dritte Verlängerung standard.</small>	90	Lackiert	Standard Hochgl.	4	0,5	104	
				RAL/NCS Hochgl. (!)				
				Glas matt				
01MAK18*	189-226-263	90	Lackiert	Standard Hochgl.	3	0,51	106	
				RAL/NCS Hochgl. (!)				
				Glas matt				
01MAK40*	209-246-283	90	Lackiert	Standard Hochgl.	3	0,55	113	
				RAL/NCS Hochgl. (!)				
				Glas matt				

(*) 3. zusätzliche Verlängerung

Art.-Nr.	Länge (L)	Verlängerung	Preis in EURO	Koll.	V. m ³	Kg
50SUS02A	37,5	Alucompact		1	0,025	6,5

Optionals

Art.-Nr.		Preis in EURO	Koll.	V. m ³	Kg
02GTA02	 Zuschnitt der Beine nach Maß	-	-	-	-



Maki Glas

Fixmaße - Breite 90 cm.

Ausführung der Beine:

Weiß lackiertes Aluminium (farbähnlich wie Ral 9016)
Schwarz lackiertes Aluminium (farbähnlich wie Ral 9004)

Ausführung der Tischplatte:

Glas Hochglanz in Standardfarben: Extraweiß, Anthrazit, Schwarz, Titan
Glas Hochglanz in Farben der Skala RAL/NCS auf Anfrage
Mattes Glas in den Farben: Extraweiß, Anthrazit, Schwarz, Titan

→ Achtung: Die mit (!) gekennzeichneten Maße oder Ausführungen haben eine längere Produktionszeit: zirka 6 Wochen ab Auftragsdatum.

→ Achtung: Farbabweichungen bei den gewählten Farben der Musterkarte RAL/NCS sind unausweichlich und beruhen auf der Farbbrechung durch die Stärke des Glases.
In den Farbtönen Weiß sind keine RAL/NCS Farben auf Anfrage möglich.


→ Jene Tische, die im ausgezogenen Zustand eine Länge von 250 cm überschreiten, weisen eine leichte Biegung der Platte auf, die jedoch innerhalb der festgelegten qualitativen Standards liegt.

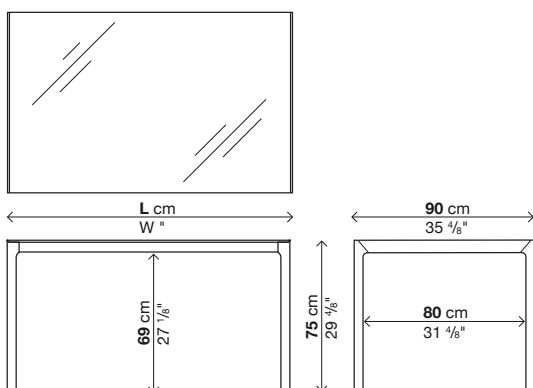
→ Verstärkte Verpackungsmaterialien siehe Seite 205.

Fixmaße (II)

Art.-Nr.	Länge (L)	Breite	Beine	Platte	Preis in EURO	Koll.	V. m ³	Kg
01MAK52F	114	90	Lackiert	Standard Hochgl.	1	0,3	59	
				RAL/NCS Hochgl. (!)				
				Glas matt				
01MAK13F	139	90	Lackiert	Standard Hochgl.	1	0,36	66	
				RAL/NCS Hochgl. (!)				
				Glas matt				
01MAK14F	166	90	Lackiert	Standard Hochgl.	1	0,42	75	
				RAL/NCS Hochgl. (!)				
				Glas matt				
01MAK54F	189	90	Lackiert	Standard Hochgl.	1	0,46	82	
				RAL/NCS Hochgl. (!)				
				Glas matt				
01MAK40F	209	90	Lackiert	Standard Hochgl.	1	0,5	88	
				RAL/NCS Hochgl. (!)				
				Glas matt				
01MAK56F	229	90	Lackiert	Standard Hochgl. (!)	1	0,55	94	
				RAL/NCS Hochgl. (!)				
				Glas matt (!)				
01MAK58F	249	90	Lackiert	Standard Hochgl. (!)	1	0,59	100	
				RAL/NCS Hochgl. (!)				
				Glas matt (!)				
01MAK60F	269	90	Lackiert	Standard Hochgl. (!)	1	0,63	111	
				RAL/NCS Hochgl. (!)				
				Glas matt (!)				
01MAK62F	289	90	Lackiert	Standard Hochgl. (!)	1	0,67	117	
				RAL/NCS Hochgl. (!)				
				Glas matt (!)				

Optionals

Art.-Nr.			Preis in EURO	Koll.	V. m ³	Kg
02GTA02		Zuschnitt der Beine nach Maß	-	-	-	-
02RET02		Kabelnetz, Kunststoffmaterial	1	0,07	1	
02VER01		Kabelschlange, mattes Methacrylat	1	0,007	1,5	
02CPU02		CPU-Träger, mattes Methacrylat	1	0,14	5,5	



Maki Glas

Erweiterbar - Breite 100 cm.

Ausführung der Beine:

Weiß lackiertes Aluminium (farbähnlich wie Ral 9016)

Schwarz lackiertes Aluminium (farbähnlich wie Ral 9004)

Ausführung der Tischplatte:

Glas Hochglanz in Standardfarben: Extraweiß, Anthrazit, Schwarz, Titan

Glas Hochglanz in Farben der Skala RAL/NCS auf Anfrage

Mattes Glas in den Farben: Extraweiß, Anthrazit, Schwarz, Titan

Ausführung der Verlängerungen:

Laminat Alucompact® Weiß

Laminat Alucompact® Sandgrau

Laminat Alucompact® Anthrazitgrau

Laminat Alucompact® Schwarz

→ Bei den Tischen, deren Artikelnummern mit Sternchen (*) markiert sind, ist das Hinzufügen einer dritten Verlängerung möglich, wodurch der Tisch noch größer wird.

→ Achtung: Die mit (!) gekennzeichneten Maße oder Ausführungen haben eine längere Produktionszeit: zirka 6 Wochen ab Auftragsdatum.

→ Achtung: Farbabweichungen bei den gewählten Farben der Musterkarte RAL/NCS sind unausweichlich und beruhen auf der Farbbrechung durch die Stärke des Glases. In den Farbtönen Weiß sind keine RAL/NCS Farben auf Anfrage möglich.

→ Jene Tische, die im ausgezogenen Zustand eine Länge von 250 cm überschreiten, weisen eine leichte Biegung der Platte auf, die jedoch innerhalb der festgelegten qualitativen Standards liegt.

→ Verstärkte Verpackungsmaterialien siehe Seite 205.


Erweiterbar (►)

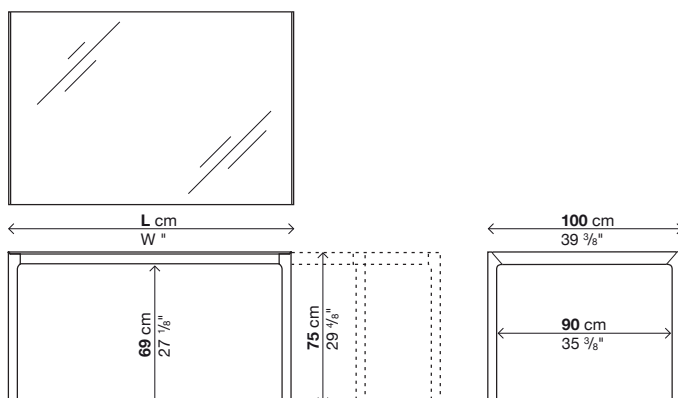
Art.-Nr.	Länge (L)	Breite	Beine	Platte	Preis in EURO	Koll.	V. m ²	Kg
01MAK15*	166-213-260	100	Lackiert	Standard Hochgl.		3	0,52	109
				RAL/NCS Hochgl. (!)				
				Glas matt				
01MAK19*	189-236-283	100	Lackiert	Standard Hochgl.		3	0,57	116
				RAL/NCS Hochgl. (!)				
				Glas matt				
01MAK17*	209-256-303	100	Lackiert	Standard Hochgl.		3	0,62	126
				RAL/NCS Hochgl. (!)				
				Glas matt				

(*) 3. zusätzliche Verlängerung

Art.-Nr.	Länge (L)	Verlängerung	Preis in EURO	Koll.	V. m ²	Kg
50SUS06A	33	Alucompact		1	0,025	6

Optionals

Art.-Nr.			Preis in EURO	Koll.	V. m ²	Kg
02GTA02		Zuschnitt der Beine nach Maß		-	-	-



Maki Glas

Fixmaße - Breite 100 cm.

Ausführung der Beine:

Weiß lackiertes Aluminium (farbähnlich wie Ral 9016)

Schwarz lackiertes Aluminium (farbähnlich wie Ral 9004)

Ausführung der Tischplatte:

Glas Hochglanz in Standardfarben: Extraweiß, Anthrazit, Schwarz, Titan

Glas Hochglanz in Farben der Skala RAL/NCS auf Anfrage

Mattes Glas in den Farben: Extraweiß, Anthrazit, Schwarz, Titan

→ Achtung: Die mit (!) gekennzeichneten Maße oder Ausführungen haben eine längere Produktionszeit: zirka 6 Wochen ab Auftragsdatum.

→ Achtung: Farbabweichungen bei den gewählten Farben der Musterkarte RAL/NCS sind unausweichlich und beruhen auf der Farbbrechung durch die Stärke des Glases.

In den Farbtönen Weiß sind keine RAL/NCS Farben auf Anfrage möglich.


→ Jene Tische, die im ausgezogenen Zustand eine Länge von 250 cm überschreiten, weisen eine leichte Biegung der Platte auf, die jedoch innerhalb der festgelegten qualitativen Standards liegt.

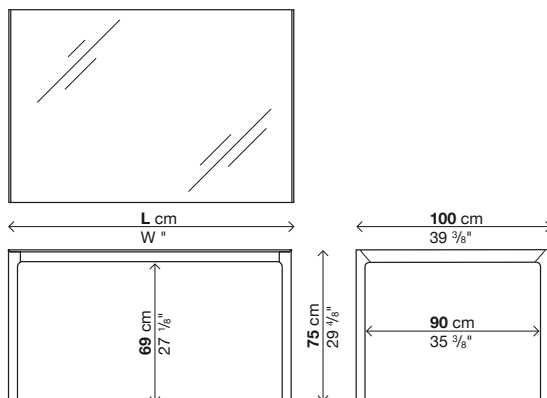
→ Verstärkte Verpackungsmaterialien siehe Seite 205.

Fixmaße (II)

Art.-Nr.	Länge (L)	Breite	Beine	Platte	Preis in EURO	Koll.	V. m ³	Kg
01MAK66F	139	100	Lackiert	Standard Hochgl.	1	0,39	71	
				RAL/NCS Hochgl. (!)				
				Glas matt				
01MAK15F	166	100	Lackiert	Standard Hochgl.	1	0,45	80	
				RAL/NCS Hochgl. (!)				
				Glas matt				
01MAK18F	189	100	Lackiert	Standard Hochgl.	1	0,5	88	
				RAL/NCS Hochgl. (!)				
				Glas matt				
01MAK17F	209	100	Lackiert	Standard Hochgl.	1	0,55	94	
				RAL/NCS Hochgl. (!)				
				Glas matt				
01MAK19F	229	100	Lackiert	Standard Hochgl. (!)	1	0,6	101	
				RAL/NCS Hochgl. (!)				
				Glas matt (!)				
01MAK68F	249	100	Lackiert	Standard Hochgl. (!)	1	0,65	108	
				RAL/NCS Hochgl. (!)				
				Glas matt (!)				
01MAK70F	269	100	Lackiert	Standard Hochgl. (!)	1	0,69	118	
				RAL/NCS Hochgl. (!)				
				Glas matt (!)				
01MAK42F	289	100	Lackiert	Standard Hochgl. (!)	1	0,74	126	
				RAL/NCS Hochgl. (!)				
				Glas matt (!)				

Optionals

Art.-Nr.			Preis in EURO	Koll.	V. m ³	Kg
02GTA02		Zuschnitt der Beine nach Maß	-	-	-	-
02RET03		Kabelnetz, Kunststoffmaterial	1	0,07	1	
02VER01		Kabelschlange, mattes Methacrylat	1	0,007	1,5	
02CPU03		CPU-Träger, mattes Methacrylat	1	0,14	5,5	



Maki Glas

Fixmaße - Breite 124 cm.

Ausführung der Beine:

Weiß lackiertes Aluminium (farbähnlich wie Ral 9016)

Schwarz lackiertes Aluminium (farbähnlich wie Ral 9004)

Ausführung der Tischplatte:

Glas Hochglanz in Standardfarben: Extraweiß, Anthrazit, Schwarz, Titan

Glas Hochglanz in Farben der Skala RAL/NCS auf Anfrage

Mattes Glas in den Farben: Extraweiß, Anthrazit, Schwarz, Titan

→ *Achtung: Die mit (!) gekennzeichneten Maße oder Ausführungen haben eine längere Produktionszeit: zirka 6 Wochen ab Auftragsdatum.*

→ *Achtung: Farbabweichungen bei den gewählten Farben der Musterkarte RAL/NCS sind unausweichlich und beruhen auf der Farbbrechung durch die Stärke des Glases. In den Farbtönen Weiß sind keine RAL/NCS Farben auf Anfrage möglich.*


→ *Jene Tische, die im ausgezogenen Zustand eine Länge von 250 cm überschreiten, weisen eine leichte Biegung der Platte auf, die jedoch innerhalb der festgelegten qualitativen Standards liegt.*

→ *Verstärkte Verpackungsmaterialien siehe Seite 205.*

Fixmaße (II)

Art.-Nr.	Länge (L)	Breite	Beine	Platte	Preis in EURO	Koli	V.m ²	Kg
01MAK72F	209	124	Lackiert	Standard Hochgl. (!)		1	0,66	117
				RAL/NCS Hochgl. (!)				
				Glas matt (!)				
01MAK74F	229	124	Lackiert	Standard Hochgl. (!)		1	0,72	126
				RAL/NCS Hochgl. (!)				
				Glas matt (!)				
01MAK76F	277	124	Lackiert	Standard Hochgl. (!)		1	0,85	148
				RAL/NCS Hochgl. (!)				
				Glas matt (!)				

Optionals

Art.-Nr.			Preis in EURO	Koli	V.m ²	Kg
02GTA02		Zuschnitt der Beine nach Maß	-	-	-	-
04RET04		Kabelnetz, Kunststoffmaterial	1	0,07	1	
02VER01		Kabelschlange, mattes Methacrylat	1	0,007	1,5	
02CPU04		CPU-Träger, mattes Methacrylat	1	0,14	5,5	

