

Thin-K aluminium

Designer Luciano Bertoncini

As subtle as a thought, as perfect as a mathematical formula, Thin-K is a product created from the passion for mechanics of designer Luciano Bertoncini and the technological know-how of Kristalia. A collection of fixed and extending tables, of infinitesimal thickness: just 6mm, a real challenge to the laws of gravity.

Finish of structure:

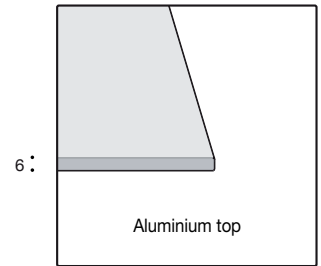
Anodised aluminium

Leg finish:

- Aluminium painted steel
- Steel with white lacquer
- Steel with sand grey lacquer
- Steel with anthracite grey lacquer
- Steel with black lacquer

Top finish/external details on leg/extensions:

- Aluminium with white lacquer (painted in polyester powder)
- Aluminium with sand grey lacquer (painted in polyester powder)
- Aluminium with anthracite grey lacquer (painted in polyester powder)
- Aluminium with black lacquer (painted in polyester powder)



Extensible (↔) - Rectangular legs (■)

Code	Length (cm.)	Depth	Finish of legs	Finish of top	Vol.
01THK01R	123-163-203	80	lacquer	lacquer	0.23
01THK02R	150-190-230	80	lacquer	lacquer	0.28
01THK04R	170-210-250	90	lacquer	lacquer	0.35

Nr. packages 1

Extensible (↔) - Square legs (■)

Code	Length (cm.)	Depth	Finish of legs	Finish of top	Vol.
01THK01Q	123-163-203	80	lacquer	lacquer	0.23
01THK02Q	150-190-230	80	lacquer	lacquer	0.28
01THK04Q	170-210-250	90	lacquer	lacquer </td <td>0.35</td>	0.35

Nr. packages 1

Fixed (||) - Rectangular legs (■)

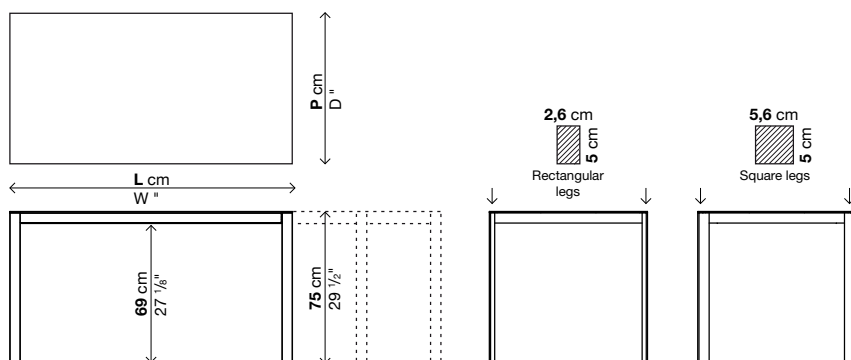
Code	Length (cm.)	Depth	Finish of legs	Finish of top	Vol.
01THK01FR	123	80	lacquer	lacquer	0.23
01THK02FR	150	80	lacquer	lacquer	0.28
01THK04FR	170	90	lacquer	lacquer	0.35

Nr. packages 1

Fixed (||) - Square legs (■)

Code	Length (cm.)	Depth	Finish of legs	Finish of top	Vol.
01THK01FQ	123	80	lacquer	lacquer	0.23
01THK02FQ	150	80	lacquer	lacquer	0.28
01THK04FQ	170	90	lacquer	lacquer	0.35

Nr. packages 1



80 cm 31 1/2"	123/163/203 cm 48 3/8/64 1/8/79"	01THK01 extensible 01THK01F fixed
80 cm 31 1/2"	150/190/230 cm 59/74 7/8/90 1/2"	01THK02 extensible 01THK02F fixed
90 cm 35 1/2"	170/210/250 cm 66 7/8/82 3/4/98 3/8"	01THK04 extensible 01THK04F fixed

Thin-K glass

Designer Luciano Bertoncini

Finish of structure:

Anodised aluminium

Leg finish:

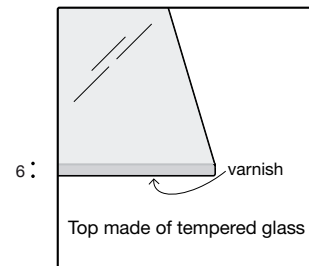
- Aluminium painted steel
- Steel with white lacquer
- Steel with sand grey lacquer
- Steel with anthracite grey lacquer
- Steel with black lacquer

Top finish/external details on leg:

- Gloss glass in standard colours: extra white, anthracite, black, titanium
- Gloss glass in RAL/NCS range colours on request
- Matt glass in colours: extra white, anthracite grey, black, titanium

Finish of extensions:

- Aluminium with white lacquer (painted in polyester powder)
- Aluminium with sand grey lacquer (painted in polyester powder)
- Aluminium with anthracite grey lacquer (painted in polyester powder)
- Aluminium with black lacquer (painted in polyester powder)



! Please note: variations in shade against selected RAL/NCS sample cannot be avoided and are caused by colour refracting through the thickness of the glass.
Glass in RAL/NCS shades has longer lead times: approximately 8 weeks from order date.

Extensible (↔) - Rectangular legs (■)

Code	Length (cm.)	Depth	Finish of legs	Finish of top	Vol.
01THK11R	123-163-203	80	lacquer	gloss in standard	0.23
				gloss in RAL/NCS (!)	
				matt glass	
01THK12R	150-190-230	80	lacquer	gloss in standard	0.28
				gloss in RAL/NCS (!)	
				matt glass	
01THK14R	170-210-250	90	lacquer	gloss in standard	0.35
				gloss in RAL/NCS (!)	
				matt glass	

Nr. packages 1

Extensible (↔) - Square legs (■)

Code	Length (cm.)	Depth	Finish of legs	Finish of top	Vol.
01THK11Q	123-163-203	80	lacquer	gloss in standard	0.23
				gloss in RAL/NCS (!)	
				matt glass	
01THK12Q	150-190-230	80	lacquer	gloss in standard	0.28
				gloss in RAL/NCS (!)	
				matt glass	
01THK14Q	170-210-250	90	lacquer	gloss in standard	0.35
				gloss in RAL/NCS (!)	
				matt glass	

Nr. packages 1

Fixed (||) - Rectangular legs (■)

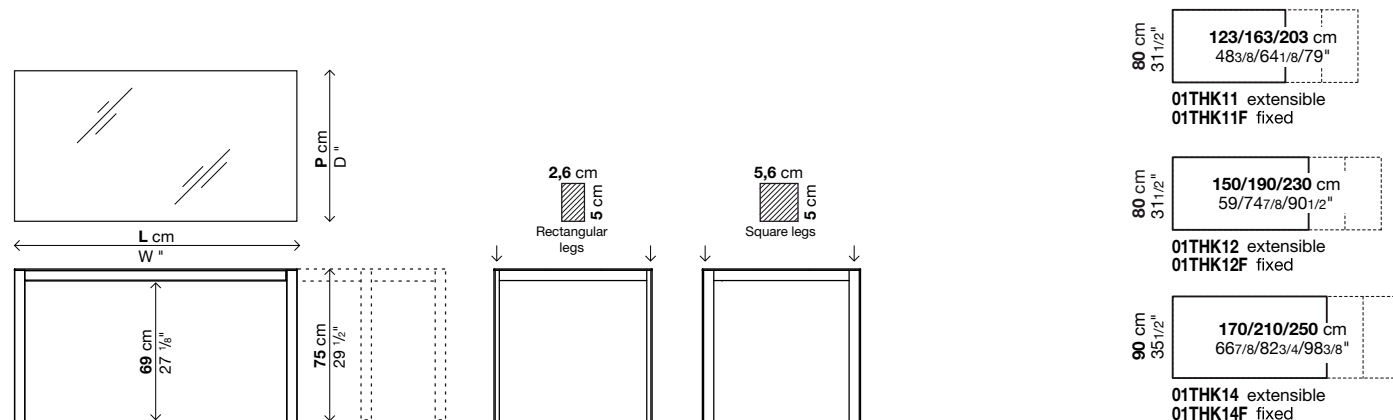
Code	Length (cm.)	Depth	Finish of legs	Finish of top	Vol.
01THK11FR	123	80	lacquer	gloss in standard	0.23
				gloss in RAL/NCS (!)	
				matt glass	
01THK12FR	150	80	lacquer	gloss in standard	0.28
				gloss in RAL/NCS (!)	
				matt glass	
01THK14FR	170	90	lacquer	gloss in standard	0.35
				gloss in RAL/NCS (!)	
				matt glass	

Nr. packages 1

Fixed (||) - Square legs (■)

Code	Length (cm.)	Depth	Finish of legs	Finish of top	Vol.
01THK11FQ	123	80	lacquer	gloss in standard	0.23
				gloss in RAL/NCS (!)	
				matt glass	
01THK12FQ	150	80	lacquer	gloss in standard	0.28
				gloss in RAL/NCS (!)	
				matt glass	
01THK14FQ	170	90	lacquer	gloss in standard	0.35
				gloss in RAL/NCS (!)	
				matt glass	

Nr. packages 1



80 cm 31 1/2"
123/163/203 cm
48 3/8/64 1/8/79"
01THK11 extensible
01THK11F fixed

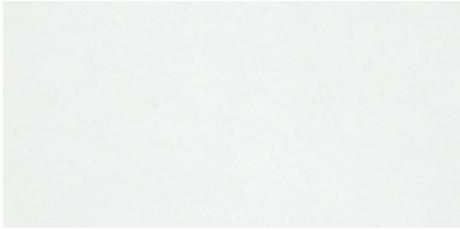
80 cm 31 1/2"
150/190/230 cm
59/74 7/8/90 1/2"
01THK12 extensible
01THK12F fixed

90 cm 35 1/2"
170/210/250 cm
66 7/8/82 3/4/98 3/8"
01THK14 extensible
01THK14F fixed

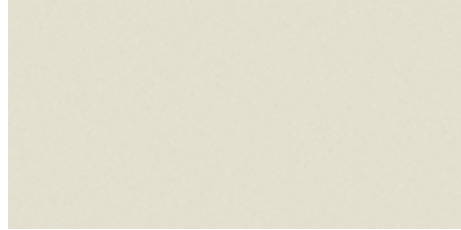
Finishes

Finiture metallo

Metal finish / Metallausführungen / Acabados metal / Finitions métal



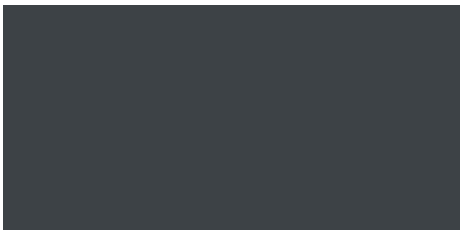
Bianco / White / Weiß / Blanco / Blanc



Grigio sabbia / Sand grey / Sandgrau / Gris arena / Gris sable



Grigio / Grey / Grau / Gris / Gris



Grigio antracite / Anthracite grey / Grau anthrazit / Gris antracita / Gris anthracite



Nero / Black / Schwarz / Negro / Noir

Finishes

Vetri lucidi temperati

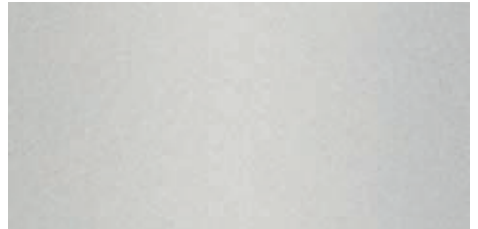
Tempered gloss glass / Glänzende Sicherheitsgläser / Cristales brillantes templados / Verres brillants trempés



VE Verde retroverniciato / Green back-painted / Grünes, an der Rückseite lackiert / Verde retrobarnizado / Vert laqué au dessous



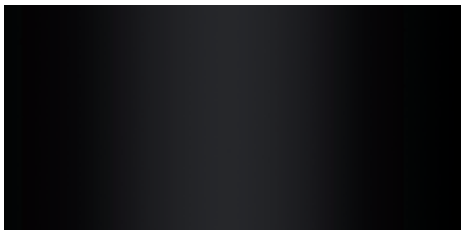
XB Extra white retroverniciato / Extra white back-painted / Extraweißes, an der Rückseite lackiert / Extra white retrobarnizado / Extra blanc laqué au dessous



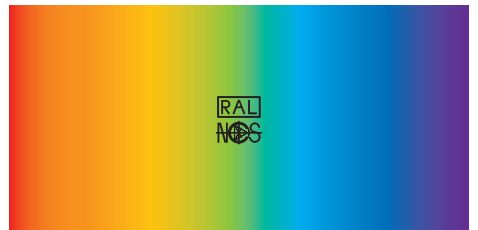
V3 Titanio retroverniciato / Titanium back-painted / Titan, an der Rückseite lackiert / Titanio retrobarnizado / Titane laqué au dessous



V1 Grigio antracite retroverniciato / Anthracite grey back-painted / Anthrazitgraues, an der Rückseite lackiert / Antracita retrobarnizado / Gris anthracite laqué au dessous



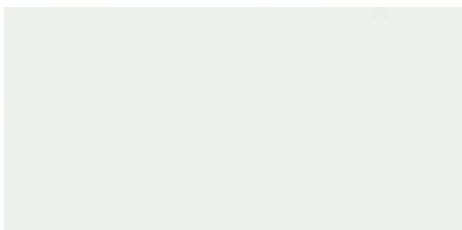
V2 Nero retroverniciato / Black back-painted / Schwarz, an der Rückseite lackiert / Negro retrobarnizado / Noir laqué au dessous



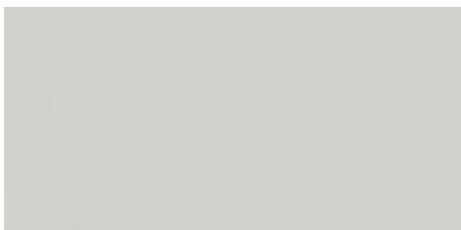
Colori scala RAL/NCS / RAL/NCS range colours / Farben der Skala RAL/NCS / Colores escala RAL/NCS / Coloris palette RAL/NCS

Vetri opachi temperati

Tempered matt glass / Matte Sicherheitsgläser / Cristales mates templados / Verres mats trempés



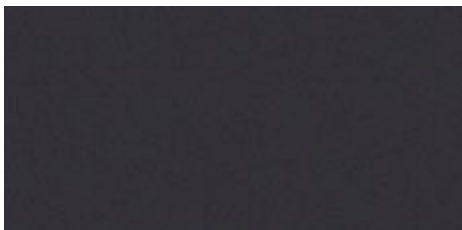
XBM Extra white retroverniciato / Extra white back-painted / Extraweißes, an der Rückseite lackiert / Extra white retrobarnizado / Extra blanc laqué au dessous



V3M Titanio retroverniciato / Titanium back-painted / Titan, an der Rückseite lackiert / Titanio retrobarnizado / Titane laqué au dessous



V1M Grigio antracite retroverniciato / Anthracite grey back-painted / Anthrazitgraues, an der Rückseite lackiert / Antracita retrobarnizado / Gris anthracite laqué au dessous



V2M Nero retroverniciato / Black back-painted / Schwarz, an der Rückseite lackiert / Negro retrobarnizado / Noir laqué au dessous