

Easy / Easy+ laminate

Designed by Bluezone

Extending or fixed table with an anodised aluminium structure and aluminium painted or chrome-plated steel legs. The top is in 12 mm thick layered laminate. The extending system consists in two extensions that can be used one at a time. Just a few simple gestures remarkably increase the length of the table.

Finish of frame:

Anodised aluminium

Leg finish:

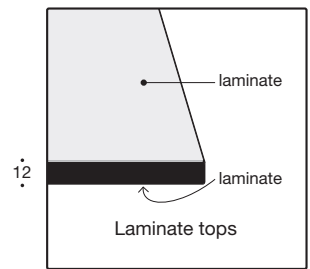
Aluminium painted steel

Polished chrome steel (*excluding square legs*)

Finish of top/extensions:

White laminate

Grey laminate



Extensible (↔) - Rectangular legs (■)

Code	Length (cm.)	Depth	Rectangular legs	Finish of top	Vol.
01EAS03R	116-158-200	70	aluminium paint	white	0.20
				grey	
01EAS01R	123-163-203	80	aluminium paint	white	0.23
				grey	
				polished chrome	
01EAS02R	148-188-228	80	aluminium paint	white	0.27
				grey	
				polished chrome	

Nr. packages 1

Fixed (■) - Rectangular legs (■)

Code	Length (cm.)	Depth	Rectangular legs	Finish of top	Vol.
01EAS01FR	123	80	aluminium paint	white	0.23
				grey	
01EAS02FR	148	80	aluminium paint	white	0.27
				grey	
				polished chrome	

Nr. packages 1

Extensible (↔) - Square legs (■)

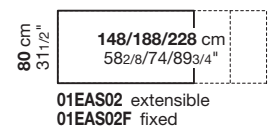
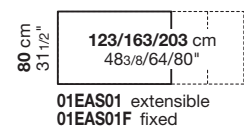
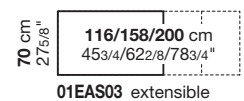
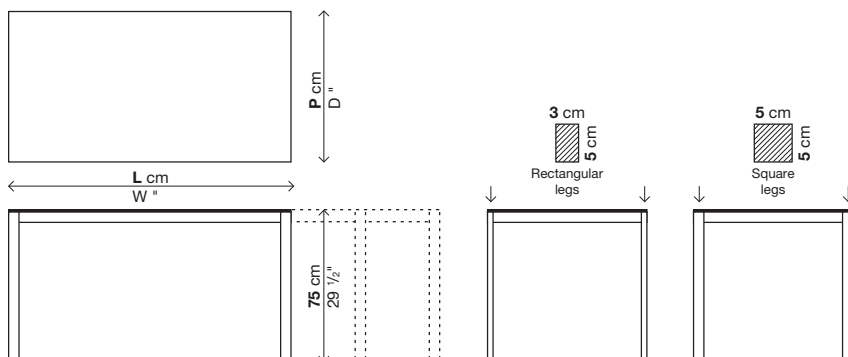
Code	Length (cm.)	Depth	Square legs	Finish of top	Vol.
01EAS01Q	123-163-203	80	aluminium paint	white	0.23
				grey	
01EAS02Q	148-188-228	80	aluminium paint	white	0.27
				grey	

Nr. packages 1

Fixed (■) - Square legs (■)

Code	Length (cm.)	Depth	Square legs	Finish of top	Vol.
01EAS01FQ	123	80	aluminium paint	white	0.23
				grey	
01EAS02FQ	148	80	aluminium paint	white	0.27
				grey	

Nr. packages 1



Easy 80x80 laminate

Designed by Bluezone

Kristalia has created an ad hoc technical solution for the Easy 80x80cm table, with folding opening that doubles its surface in size: an option specifically designed to make the best possible use of even the most restricted areas, providing plenty of flexibility. Instead of using a traditional hinge, which would not match the clear-cut and linear design of the table, a plastic strip has been used that is particularly thin, flexible and resistant, fastened to the edge of the top with aluminium profiles. The strip is also black, like the edge of the top, so that it perfectly matches the aesthetic appeal of the table

Finish of frame:

Anodised aluminium

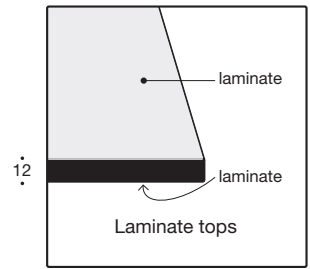
Leg finish:

Aluminium painted steel

Finish of top:

White laminate

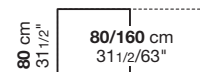
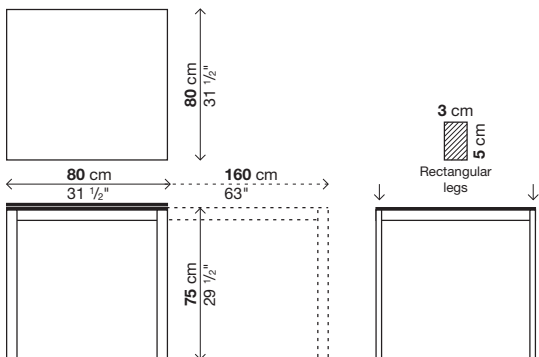
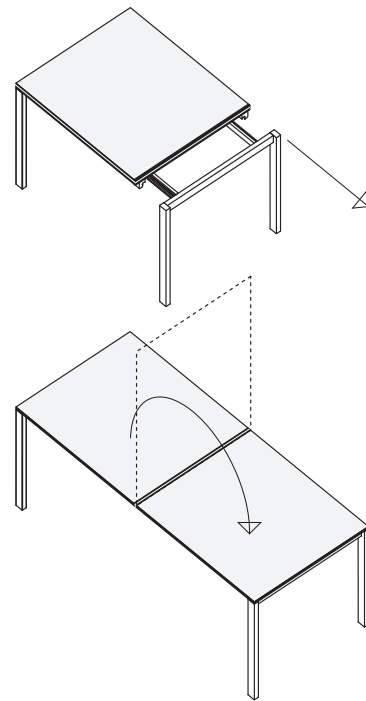
Grey laminate



Extensible (↔) - Rectangular legs (■)

Code	Length (cm.)	Depth	Rectangular legs	Finish of top	Vol.
01EAS04R	80-160	80	aluminium paint	white grey	0.17

Nr. packages 1



01EAS04 folding opening system

Easy/Easy+ glass

Designed by Bluezone

Extending or fixed table with an anodised aluminium structure and aluminium painted or chrome-plated steel legs. The top is in 12 mm thick glass. The extending system consists in two extensions that can be used one at a time. Just a few simple gestures remarkably increase the length of the table.

Finish of frame:

Anodised aluminium

Leg finish:

Aluminium painted steel

Polished chrome steel (*excluding square legs*)

Finish of top:

Gloss green glass

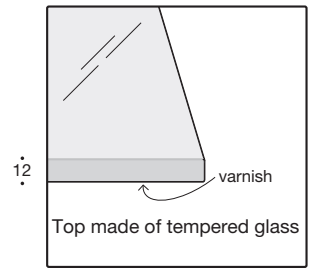
Gloss glass in standard colours: extra white, anthracite, black, titanium

Gloss glass in RAL/NCS range colours on request

Finish of extensions:

White laminate

Grey laminate



New "Infinity System": the Kristalia system that provides complete colour customization for the glass top.

The colours of glass panels marked with grey (■) have longer delivery times: approximately 6 weeks from the order date.

Extensible (↔) - Rectangular legs (■)

Code	Length (cm.)	Depth	Rectangular legs	Finish of top	Vol.
01EAS13R	116-158-200	70	aluminium paint	gloss green	0.20
				gloss in standard	
01EAS11R	123-163-203	80	aluminium paint	gloss in standard	0.23
				gloss in RAL/NCS	
				gloss green	
				gloss in standard	
01EAS12R	148-188-228	80	aluminium paint	gloss in standard	0.27
				gloss in RAL/NCS	
				gloss green	
				gloss in standard	

Nr. packages 1

Fixed (■) - Rectangular legs (■)

Code	Length (cm.)	Depth	Rectangular legs	Finish of top	Vol.
01EAS11FR	123	80	aluminium paint	gloss green	0.23
				gloss in standard	
				gloss in RAL/NCS	
				gloss green	
01EAS12FR	148	80	aluminium paint	gloss in standard	0.27
				gloss in RAL/NCS	
				gloss green	
				gloss in standard	

Nr. packages 1

Extensible (↔) - Square legs (■)

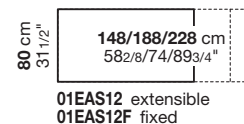
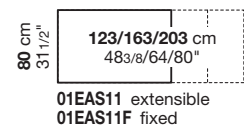
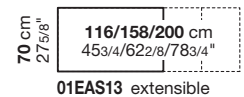
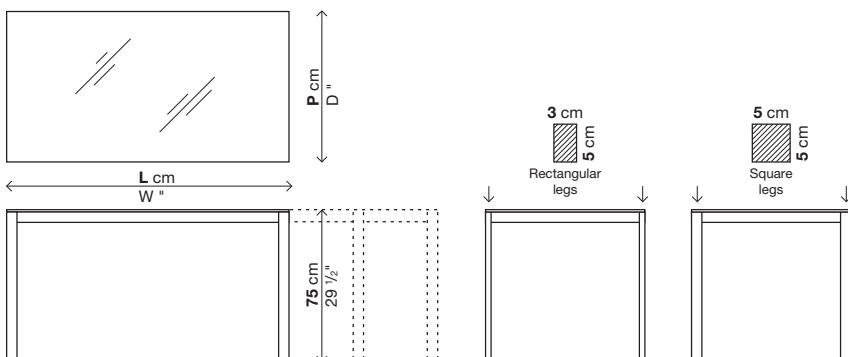
Code	Length (cm.)	Depth	Square legs	Finish of top	Vol.
01EAS11Q	123-163-203	80	aluminium paint	gloss green	0.23
				gloss in standard	
				gloss in RAL/NCS	
01EAS12Q	148-188-228	80	aluminium paint	gloss green	0.27
				gloss in standard	
				gloss in RAL/NCS	

Nr. packages 1

Fixed (■) - Square legs (■)

Code	Length (cm.)	Depth	Square legs	Finish of top	Vol.
01EAS11FQ	123	80	aluminium paint	gloss green	0.23
				gloss in standard	
				gloss in RAL/NCS	
01EAS12FQ	148	80	aluminium paint	gloss green	0.27
				gloss in standard	
				gloss in RAL/NCS	

Nr. packages 1



Easy/Easy+ wood

Designed by Bluezone

Extending or fixed table with an anodised aluminium structure and aluminium painted, wengé lacquer or chrome-plated steel legs. The top is in oak veneer or wengé finish. The extending system consists in two extensions that can be used one at a time. Just a few simple gestures remarkably increase the length of the table.

Finish of structure:

Anodised aluminium

Leg finish:

Aluminium painted steel

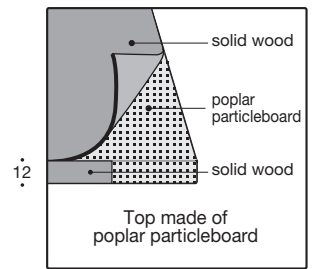
Polished chrome steel (excluding square legs)

Steel with wengé lacquer (excluding rectangular legs)

Finish of top/extensions:

Oak

Wengé stained Oak



Extensible (↔) - Rectangular legs (■)

Code	Length (cm.)	Depth	Rectangular legs	Finish of top	Vol.
01EAS21R	123-163-203	80	aluminium paint	oak	0.23
				wengé stained	
				polished chrome	
				wengé stained	
01EAS22R	148-188-228	80	aluminium paint	oak	0.27
				wengé stained	
				polished chrome	
				wengé stained	

Nr. packages 1

Fixed (||) - Rectangular legs (■)

Code	Length (cm.)	Depth	Rectangular legs	Finish of top	Vol.
01EAS21FR	123	80	aluminium paint	oak	0.23
				wengé stained	
			polished chrome	oak	
				wengé stained	
01EAS22FR	148	80	aluminium paint	oak	0.27
				wengé stained	
				polished chrome	
				wengé stained	

Nr. packages 1

Extensible (↔) - Square legs (■)

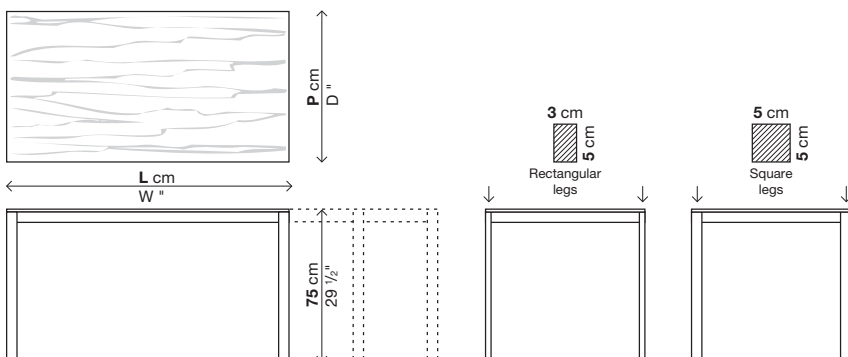
Code	Length (cm.)	Depth	Square legs	Finish of top	Vol.
01EAS21Q	123-163-203	80	aluminium paint	oak	0.23
				wengé stained	
			wengé lacquer	wengé stained	
				oak	
01EAS22Q	148-188-228	80	aluminium paint	oak	0.27
				wengé stained	
			wengé lacquer	wengé stained	
				oak	
01EAS23Q	175-225-275	90	aluminium paint	oak	0.33
				wengé stained	
			wengé lacquer	wengé stained	
				oak	

Nr. packages 1

Fixed (||) - Square legs (■)

Code	Length (cm.)	Depth	Square legs	Finish of top	Vol.
01EAS21FQ	123	80	aluminium paint	oak	0.23
				wengé stained	
			wengé lacquer	wengé stained	
				oak	
01EAS22FQ	148	80	aluminium paint	oak	0.27
				wengé stained	
			wengé lacquer	wengé stained	
				oak	
01EAS23FQ	175	90	aluminium paint	oak	0.33
				wengé stained	
			wengé lacquer	wengé stained	
				oak	

Nr. packages 1



80 cm 31 1/2 "	123/163/203 cm 48 3/8/64/80 "	01EAS21 extensible 01EAS21F fixed
80 cm 31 1/2 "	148/188/228 cm 58 2/8/74/89 3/4 "	01EAS22 extensible 01EAS22F fixed
90 cm 35 1/2 "	175/225/275 cm 68 7/8/88 1/2/108 2/8 "	01EAS23 extensible 01EAS23F fixed