

FRITZ HANSEN



CLAM™
PRODUCT FACT SHEET

CLAM™

Inspired by the curved forms of seashells, Clam™ is a luxurious, new lighting fixture with timeless appeal.

Balancing an upper and lower mouth blown opal glass shade on brushed brass fittings, the lamp glides open to reveal the pearlescent source of light within. It brings glare-free, mood-enhancing light to dining and living spaces alike. Equally elegant open as it is closed, the perfectly balanced design elevates any room with its considered combination of form and ambiance.

PRODUCT TYPE

Pendant

ENVIRONMENT

Indoor

DESIGNER/ YEAR OF DESIGN

Ahm & Lund, 2019

DESIGNER

Ahm & Lund is a Copenhagen-based design studio founded by furniture architect Isabel Ahm and cabinetmaker Signe Lund.

The two work at the intersection of craft and design with a shared belief in aesthetic sustainability and long-lasting design. They create products with deep, material understanding, and meaning.

MODELS

Ø440

Ø550

MATERIAL

Shade: Opal glass.

Each shade is individually made and variations in surface thickness and texture, including air bubbles, may occur.

Suspension and Canopy: Brass (untreated).
Please note that brass will patinate.

Cord and wire: Textile, black

PRODUCTION PROCESS

The shades are made of mouth blown opal glass. For the design to work properly, two large mouth blown shades must match symmetrically.

An internal diffuser creates beautiful, glare-free light for ambiance and atmosphere. A small, brass knob can be turned by hand to open and close the lower shade, adjusting light, mood, and styling. The knob design is inspired by antique gas lamps.

CERTIFICATIONS AND DECLARATIONS

EUR: CE, CB

LAMP RATING AND SPECIFICATIONS

IP RATING: IP20

ISOLATION CLASS: CLASS I

LOR: 78%

LIGHT SOURCE INCLUDED: NO

WEIGHT

Ø440: 6,5 KG / 14.3 LB

Ø550: 9 KG / 19.8 LB

COUNTRY OF ORIGIN

Poland

PRE-ASSEMBLED

No

CLEANING AND CARE

Wipe off dust with dry soft cloth. Remove stains with soft cloth dampened in lukewarm water added a mild detergent. Do not use detergents containing abrasives or solvents.

Find recommendations for cleaning and care at:
[fritzhanzen.com/maintenance](https://www.fritzhanzen.com/maintenance)

PACKAGING

The pendant is protected with foam inserts and shipped in cardboard. All packaging material can be recycled.

REPAIR, DISPOSAL AND REUSE

In case of repair and disposal the pendant can be disassembled into parts. The glass and all metal parts can be recycled. Check local regulations for recycling options and whether there is potential for reuse.

SPARE PARTS

Inquiries regarding spare parts can be sent to:
salesupport@fritzhanzen.com

WARRANTY

Fritz Hansen provides a two-year warranty on lamps products against defects in materials and workmanship.

DIMENSIONS

Ø440

Height: 52,2 cm / 20.5"
 Width: 44 cm / 17.3"
 Depth: 44 cm / 17.3"
 Weight: 6,5 kg / 14.3 lb

Ø550

Height: 54 cm / 21.3"
 Width: 55 cm / 21.7"
 Depth: 55 cm / 21.7"
 Weight: 9 kg / 19.8 lb

CORD LENGTH

Length: 6 m / 236.2"
 Material: Textile
 Colour: Black

CANOPY

Included: Yes
 Material: Brass

LIGHT SOURCE

Socket: E27
 Max wattage: 60W
 Light source length recommendation: Max 100mm
 Light source diameter recommendation: Max 80mm

PRODUCT CODE

Ø440: 94724305
 Ø550: 94722205

EAN

Ø440: 5702370000677
 Ø550: 5702370000271

PACKAGING

Ø440

Shade (2x boxes)
 Height: 21 cm/8.2"
 Width: 53 cm/20.8"
 Depth: 50,6 cm/19.9"

Suspension:

Height: 15,1 cm/5.9"
 Width: 63 cm/ 24.8"
 Depth: 25,6 cm/10"

Ø550

Shade (2x boxes)
 Height: 22,8 cm/ 8.9"
 Width: 64 cm/ 25.1"
 Depth: 61,6 cm/24.2"

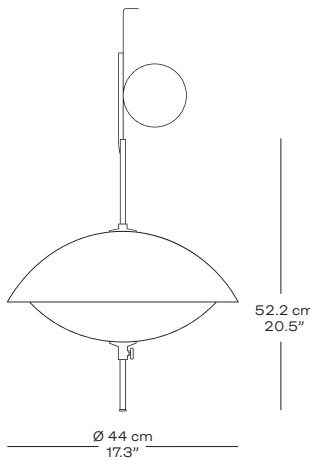
Suspension:

Height: 15,1 cm/5.9"
 Width: 63 cm/ 24.8"
 Depth: 25,6 cm/10"

COLLI

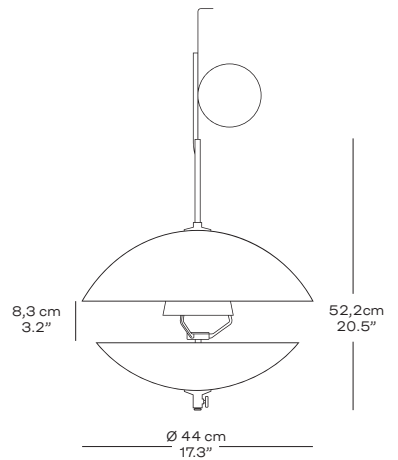
3 boxes per pendant

CLOSED

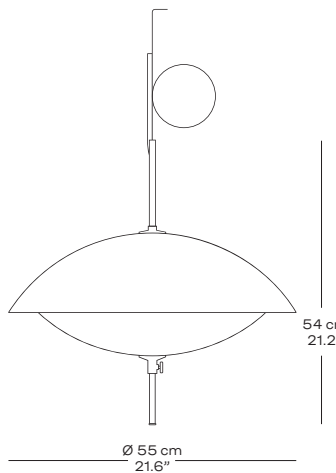


Ø440

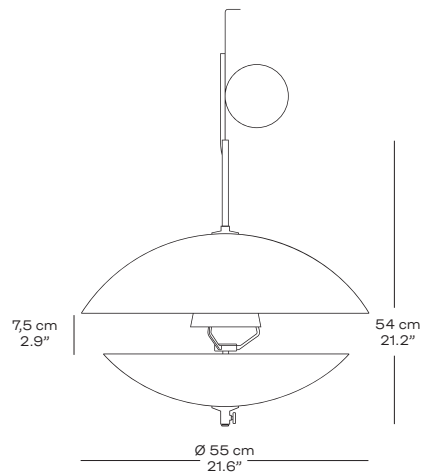
OPEN



Ø440



Ø550



Ø550