

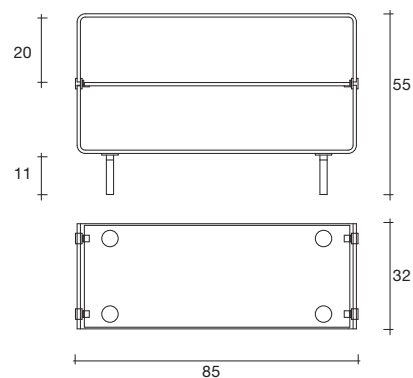


c&c side

modello registrato
registered model

DESIGN
CHRISTOPHE PILLET

portata sul piano: 60 kg
portata sul ripiano: 20 kg
load capacity on top: 60 kg
load capacity on shelf: 20 kg



Carrello in vetro curvato da 10 mm
con ripiano in vetro da 10 mm, fornito
con piedini e ruote piroettanti, accessori
in alluminio (G01).

*Trolley in 10 mm-thick curved glass with
10 mm-thick glass shelf. With feet and
castors, details in aluminium (G01).*

dimensioni L, P, H
dimensions L, W, H
(cm)

COD./CODE

L

P/W

H

peso netto
net weight
(kg)

peso lordo
gross weight
(kg)

volume imballo
package volume
(m³)

Fornito con piedini e ruote piroettanti.
With feet and with castors.

3255

58

32

55

28

38

0,31