

RF200 | PETAL LAMP

RIKKE FROST

CARLHANSEN.COM

 **CARL HANSEN & SØN**
PASSIONATE CRAFTSMANSHIP

DESCRIPTION

The RF200 Petal Lamp has a simple, sculptural expression and is distinguished by its ability to create mood lighting. Rikke Frost has allowed the materials play a leading role in the simple, organic design of the RF200 Petal Lamp, where her overarching goal was to strike a balance. Therefore, she made the lamp's base in wood with visible grains that exude natural, warm radiance, while the light reflectors are made of metal with a cooler but still soft expression. As a result, the materials finely complement one another, while the lamp radiates expressive, glare-free light.

The RF200 Petal Lamp base and light reflectors can be brought together in a total of nine different combinations, making it possible to personalize one's lamp so it goes perfectly with the intended interior

DESIGNER

Danish designer Rikke Frost (b. 1973) has always been curious about the combination of different craft traditions and types of material, a fact clearly reflected in her design portfolio where traditional and contemporary design is expressed in sofas, tables, chairs and lamps with an organic idiom. Rikke Frost has won and been nominated for several awards, including the Danish Design Award and Bolig Magasinet's Design Award.

MATERIALS

- Shade: White powder coated aluminum, brushed brass, brushed aluminum
- Base: Oak with black or oil treatment. Walnut with oil treatment.
- Cord: Black fabric cord with switch

PREASSEMBLED

No – shades must be mounted on the wood base.

PRODUCTION PROCESS

All wood parts of the lamp are crafted by machine then sanded and assembled by hand. The shade is laser cut, machine press bended, grinded and finally surface treated.

DIMENSIONS

- H: 20 x D: 20 x W: 20 cm
- Cord: 2.5 m

WEIGHT

- 1 kg w. aluminum Shades
- 2.2 kg w. brass Shades

BULB INCLUDED

No

DIMMABLE FUNCTION

No

TEST & CERTIFICATIONS

Made from FSC™-certified oak (FSC C135991) or walnut
Test awaiting

QUICK SHIP

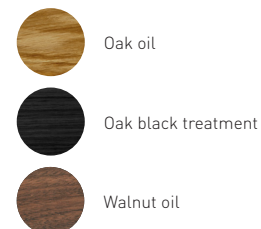
Yes



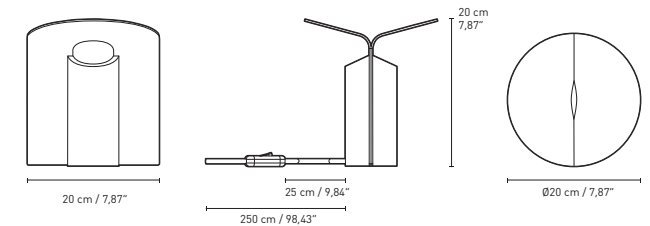
MATERIALS (SHADE)



MATERIALS (BASE)



PRODUCT DIMENSIONS



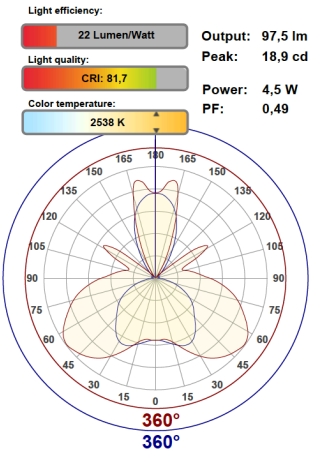
RF200 | PETAL LAMP

RIKKE FROST

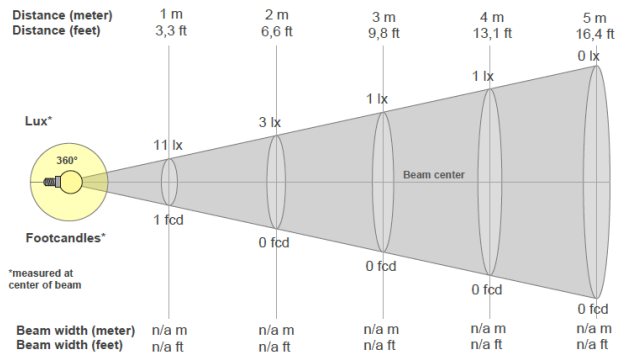
RECOMMENDED LIGHT SOURCE USED FOR MEASUREMENTS: Philips LED | P45 4.3W E14 220-240V FR | Warm white | 4.3W = 40W | 470 lumen | 2700K

POWDER COATED ALUMINUM SHADE

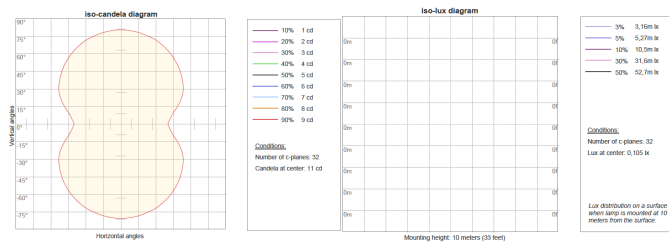
POLAR



FOOTCANDLES

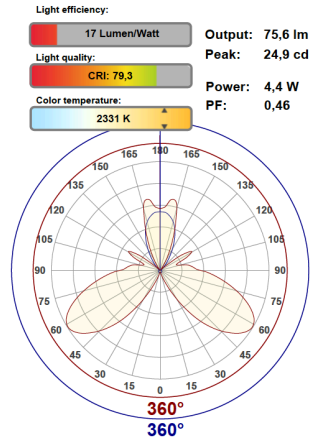


ISOLUX

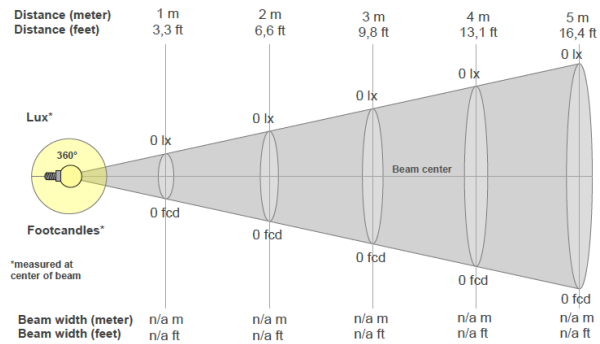


BRUSED ALUMINUM SHADE

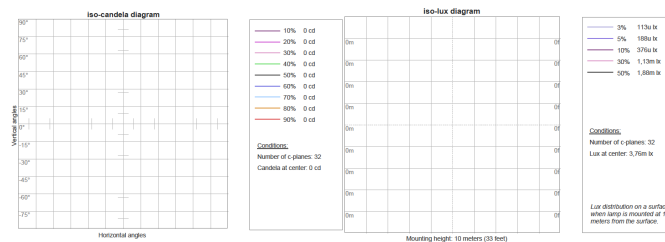
POLAR



FOOTCANDLES

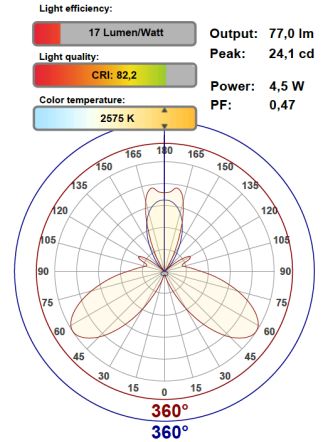


ISOLUX

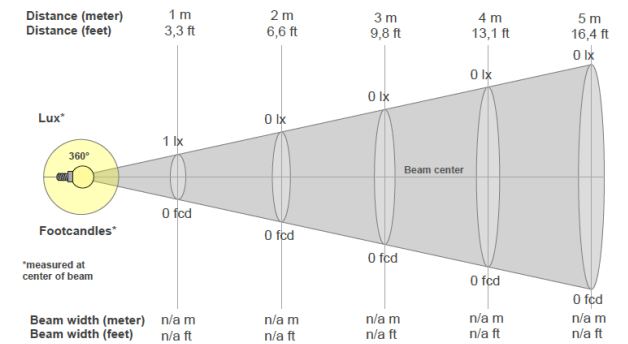


BRUSHED BRASS SHADE

POLAR



FOOTCANDLES



ISOLUX

