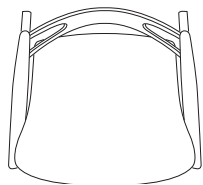
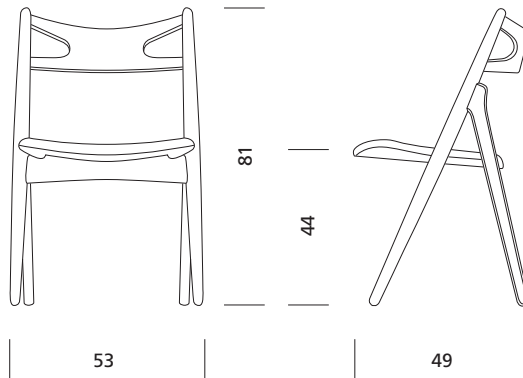


Hans J. Wegner / CH_29 / 1952





1:20
Measurements in centimeters

Tel +45 6612 1404_ info@carlhansen.com
www.carlhansen.com

1952

Hans J. Wegner _ CH29