

SPRINGTIME



PRODUCT INFO

DESIGNER: JEAN-MARIE MASSAUD

TYPOLOGY: CHAISE LONGUE

COLLECTION: OUTDOOR

YEAR: 2008

DESCRIPTION

SPRINGTIME, THE COLLECTION DESIGNED BY JEAN-MARIE MASSAUD, DEVELOPS THE THEME OF THE "À CABANE" SEAT WITH DEEP SEATING SOFAS THAT CAN BE SHADED BY A LIGHT TEXTILE OR RATTAN COVER TO CREATE PRIVACY EVEN EN PLEIN AIR. THE SOFAS, WITH THEIR RIGOROUS LINEAR FRAMES, ARE DESIGNED IN TWO SEATING DEPTHS, A CHAISE LONGUE WITH EITHER A SINGLE SEAT ON CASTORS AND ADJUSTABLE HEADREST OR A DOUBLE SEAT PLACED EITHER IN PARALLEL OR FACE TO FACE. IN ADDITION THERE IS THE OPTION OF RECTANGULAR AND SQUARE TABLES THAT CAN BE CONVERTED INTO VASE HOLDERS. THE COLLECTION COMES WITH OTHER ACCESSORIES, SUCH AS A POUF, SMALL TABLES AND AN ENAMELED STEEL BRAZIER. THE COLLECTION CREATES A CONSISTENT LANDSCAPE, WHOSE REFINEMENT IS BASED ON THE USE OF WHITE VARNISHED ALUMINIUM FRAMES, STAINLESS STEEL HOLDERS AND WATERPROOF FABRICS IN THREE SHADES (I.E. GREY, ANTHRACITE AND ACID GREEN) THAT MATCH THE FLEECE UPHOLSTERY OF PADDED PARTS.

SPRINGTIME

TECHNICAL INFORMATION

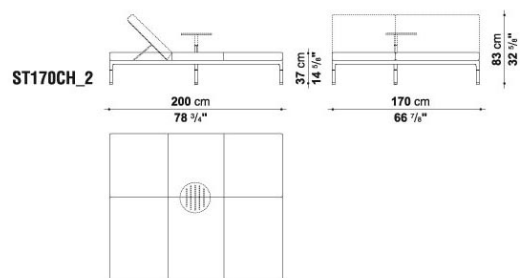
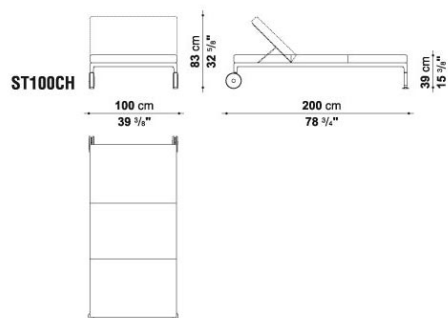
- **FRAME:**
DIE-CAST AND EXTRUDED ALUMINIUM, PAINTED WITH POLYESTER POWDER
- **SEAT SURFACE:**
HPL LAMINATE STRATIFIED PANEL
- **SEAT CUSHION UPHOLSTERY:**
SHAPED POLYURETHANE OF DIFFERENT DENSITY, POLYESTER FIBRE COVER: WATER REPELLENT OR NO WATER REPELLENT
- **RECLINING MECHANISM:**
ALUMINIUM
- **HEADREST CUSHION UPHOLSTERY:**
SHAPED POLYURETHANE, POLYESTER FIBRE COVER WATER REPELLENT
- **FEET:**
STAINLESS STEEL
- **FERRULES:**
THERMOPLASTIC MATERIAL
- **WHEELS:**
STEEL AND THERMOPLASTIC MATERIAL
- **COVER:**
FABRIC
- **RELATED SEARCHES:**
[CHAISELONGUE](#) – [MODERN LIVING ROOM](#) – [MODERN FURNITURE](#)

SPRINGTIME

TECHNICAL DRAWINGS

ST100CH

ST170CH_2



ST170CH_4

