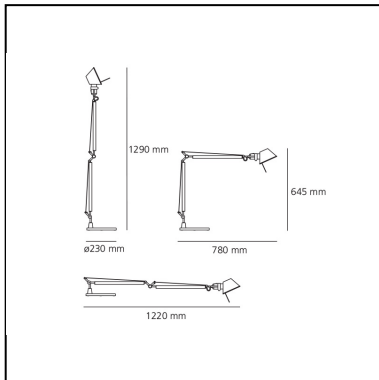


# Tolomeo table LED TW - Body Lamp

Michele De Lucchi  
Giancarlo Fassina



IP20    



## LUMINAIRE

- Watt: **11W**
- Voltage: **24V**
- Delivered lumen output: **560 - 716lm**
- CCT: **2200-6500K**
- Efficiency: **70%**
- Efficacy: **65.10lm/W**
- CRI: **90**
- Dimmer Typology: **Microswitch Dimmer**

## Notes

Interchangeable support: table base, clamp, desk fixed support and twin support that allows two independent lamp units to be fitted. Complete lamp consists of body lamp + accessories

## DESCRIPTION

Icon of Italian design and the result of the brainchild of designers Michele De Lucchi and Giancarlo Fassina, the Tolomeo lamp was launched on the market in 1987. It embodies the perfect balance between functionality and aesthetics.

The design of the Tolomeo is characterized by clean and minimalist lines, with a structure made of aluminum. This material gives the lamp not only a modern and sophisticated look but also remarkable lightness and robustness. The lamp head, adjustable in all directions, is equipped with a stamped aluminum reflector that ensures uniform light distribution, making it ideal for various lighting needs.

One of the distinctive elements of the Tolomeo is its articulated arm system. Thanks to an innovative spring mechanism, the lamp can be easily adjusted in height and tilt, ensuring great flexibility of use. This makes it perfect both as a desk lamp, to illuminate the work surface, and as a reading or table lamp, to create cozy and relaxing atmospheres.

The timeless elegance and impeccable functionality have made it one of the most famous lamps in the world and it has received numerous international awards, including the prestigious Compasso d'Oro. This lamp is not just an object of illumination, but a true masterpiece of design that continues to inspire and fascinate generations of beauty lovers. Tolomeo Tunable White combines the advantages of LED technology with those of Tunable White technology, enabling numerous variations of white light to be obtained, with different intensities and varieties of colour temperature, with a range from 2200K (warm light) to 6500K (cold light).

## FEATURES

- Product Code: **1530050A**
- Colour: **Aluminium**
- Installation: **Table**
- Material: **aluminium, steel**
- Series: **Design Collection**
- design by: **Michele De Lucchi, Giancarlo Fassina**

## DIMENSIONS

- Length: **780 mm**
- Height: **645 mm**
- Base Diameter: **230 mm**
- Max Extension Height: **1290 mm**
- Max Extension Length: **1220 mm**
- Glow Wire Test: **750°**

## SOURCES INCLUDED

- Category: **Led TW**
- Number: **1**
- Color temperature (K): **2200-6500K**

**Accessories**



Table clamp aluminium A004100



Table base ø cm. 23 - Aluminium A004030



Desk fixed support aluminium A004200