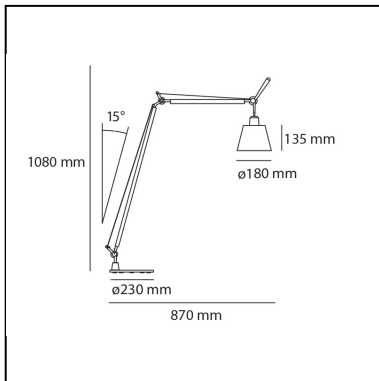


Tolomeo Basculante Reading Floor - Body Lamp with Satin diffuser 180

Michele De Lucchi
Giancarlo Fassina



IP20    



LUMINAIRE *

- Watt: **7,5W**
- Voltage: **220V-240V**
- Delivered lumen output: **816lm**
- Efficiency: **77%**
- Efficacy: **116.58lm/W**
- CRI: **80**

* Photometric data may vary depending on the source installed. Light measurements are provided in relative form and technical lighting calculations may be updated according to the effective source used.

Notes

System of spring balancing. The diffuser normally used, remains vertical regardless of the angle of the arm. Possibility to mount LED source on E27 Socket. Complete lamp consists of body lamp + accessories

DESCRIPTION

Icon of Italian design and the result of the brainchild of designers Michele De Lucchi and Giancarlo Fassina, the Tolomeo lamp was launched on the market in 1987. It embodies the perfect balance between functionality and aesthetics.

The design of the Tolomeo is characterized by clean and minimalist lines, with a structure made of aluminum. This material gives the lamp not only a modern and sophisticated look but also remarkable lightness and robustness.

One of the distinctive elements of the Tolomeo is its articulated arm system. Thanks to an innovative spring mechanism, the lamp can be easily adjusted in height and tilt, ensuring great flexibility of use.

The timeless elegance and impeccable functionality have made it one of the most famous lamps in the world and it has received numerous international awards. This lamp is not just an object of illumination, but a true masterpiece of design that continues to inspire and fascinate generations of beauty lovers.

In the basculante version, the iconic Tolomeo retains the system of spring-balanced arms that allows light to be moved to any position with the greatest of ease but the aluminum head has been replaced by a balanced diffuser which casts a soft glow into its surroundings.

FEATURES

- Product Code: **A014610**
- Colour: **Grey**
- Installation: **Floor**
- Material: **Aluminium, silk satin fabric, steel**
- Series: **Design Collection**
- design by: **Michele De Lucchi, Giancarlo Fassina**

DIMENSIONS

- Height: **1080 mm**
- Diameter: **180 mm**
- Max Extension Length: **870 mm**
- Impact Resistance: **N/D**
- Glow Wire Test: **N/D°**

SOURCES NOT INCLUDED

- Category: **LED RETROFIT**
- Number: **1**
- Watt: **8W**
- Socket: **E27**

Accessories



Base
Aluminium
A014900